

TTC-6-2X1-24DC-PT - Surge protection device



2906805

<https://www.phoenixcontact.com/us/products/2906805>

Please be informed that the data shown in this PDF document is generated from our online catalog. Please find the complete data in the user documentation. Our general terms of use for downloads are valid.

Surge protection for two signal wires with common reference potential, e.g., Digital IN/OUT. Can be used in safety-related circuits up to SIL 3.



Your advantages

- Space-saving and cost-saving with a narrow overall width of just 6 mm
- Quick and tool-free installation of surge protective devices, thanks to Push-in connection technology
- Finding the right product for all possible requirements in MCR applications is easy, thanks to the complete range of products with customized features

Commercial data

Item number	2906805
Packing unit	1 pc
Minimum order quantity	1 pc
Sales key	CL23
Product key	CL2262
GTIN	4055626135595
Weight per piece (including packing)	35 g
Weight per piece (excluding packing)	31.24 g
Customs tariff number	85363010
Country of origin	US

TTC-6-2X1-24DC-PT - Surge protection device



2906805

<https://www.phoenixcontact.com/us/products/2906805>

Technical data

Product properties

Product type	Surge protection for MCR technology
Product family	TERMITRAB complete
IEC test classification	C1
	C2
	C3
	D1
Type	DIN rail module, one-piece

Insulation characteristics

Overvoltage category	III
Pollution degree	2

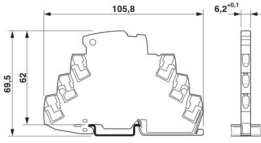
Electrical properties

Nominal voltage U_N	24 V DC
-----------------------	---------

Connection data

Connection method	Push-in connection
Conductor cross-section flexible	0.2 mm ² ... 2.5 mm ²
Conductor cross-section rigid	0.2 mm ² ... 4 mm ²
Conductor cross-section AWG	24 ... 12

Dimensions

Dimensional drawing	
Width	6.2 mm +0.1 mm
Height	105.8 mm
Depth	69.5 mm (incl. DIN rail 7.5 mm)

Material specifications

Color	gray (RAL 7042)
	light gray (RAL 7035)
Flammability rating according to UL 94	V-0
Insulating material	PBT
Housing material	PBT

Mechanical properties

Mechanical data

TTC-6-2X1-24DC-PT - Surge protection device



2906805

<https://www.phoenixcontact.com/us/products/2906805>

Open side panel	No
-----------------	----

Protective circuit

Direction of action	Line-Line & Line-Signal Ground/Shield & optional Signal Ground/Shield-Earth Ground
Nominal voltage U_N	24 V DC
Maximum continuous operating voltage U_C	30 V DC 21 V AC
Rated current	600 mA (40 °C)
Operating effective current I_C at U_C	$\leq 5 \mu A$
Protective conductor current I_{PE}	$\leq 10 \mu A$
Nominal discharge current I_n (8/20) μs (line-ground)	5 kA
Pulse discharge current I_{imp} (10/350) μs (line-earth)	0.5 kA
Total discharge current I_{Total} (8/20) μs	10 kA
Output voltage limitation at 1 kV/ μs (wire-earth)	$\leq 45 V$
Voltage protection level U_p (line-earth)	$\leq 140 V$ (C1 - 1 kV / 500 A) $\leq 130 V$ (C2 - 10 kV / 5 kA) $\leq 45 V$ (C3 - 25 A) $\leq 50 V$ (C3 - 100 A)
Voltage protection level U_p static (line-earth)	$\leq 55 V$ (C1 - 1 kV / 500 A) $\leq 80 V$ (C2 - 10 kV / 5 kA)
Response time t_A (line-earth)	$\leq 1 ns$
Input attenuation aE, asym.	typ. 0.3 dB ($\leq 270 kHz/150 \Omega$) typ. 0.3 dB ($\leq 407 kHz / 100 \Omega$)
Cut-off frequency f_g (3 dB), asym. (PE) in 100 Ω system	typ. 1280 kHz
Cut-off frequency f_g (3 dB), asym. (PE) in 150 Ω system	typ. 960 kHz
Capacity (Core-Earth)	typ. 2.2 nF
Resistance per path	1.65 $\Omega \pm 20 \%$
Surge protection fault message	none
Max. required back-up fuse	630 mA (FF)
Impulse durability (line-earth)	C1 - 1 kV / 500 A C2 - 10 kV / 5 kA C3 - 100 A D1 - 500 A
Pulse reset time (line-earth)	$\leq 300 ms$

Additional technical data

Max. total discharge current $I_{total max}$ (8/20) μs	20 kA (1x)
---	------------

Environmental and real-life conditions

Ambient conditions

Degree of protection	IP20
Ambient temperature (operation)	-40 °C ... 85 °C
Ambient temperature (storage/transport)	-40 °C ... 85 °C

TTC-6-2X1-24DC-PT - Surge protection device



2906805

<https://www.phoenixcontact.com/us/products/2906805>

Altitude	≤ 4000 m (amsl)
Permissible humidity (operation)	5 % ... 95 %

Standards and regulations

Standards/specifications	IEC 61643-21
Note	2000 + corrigendum 2001 + A1:2008, modified + A2:2012

EN 61643-21

Standards/specifications	EN 61643-21
Note	2001 + A1:2009 + A2:2013

Mounting

Mounting type	DIN rail: TH 35 - 7.5 mm
---------------	--------------------------

TTC-6-2X1-24DC-PT - Surge protection device

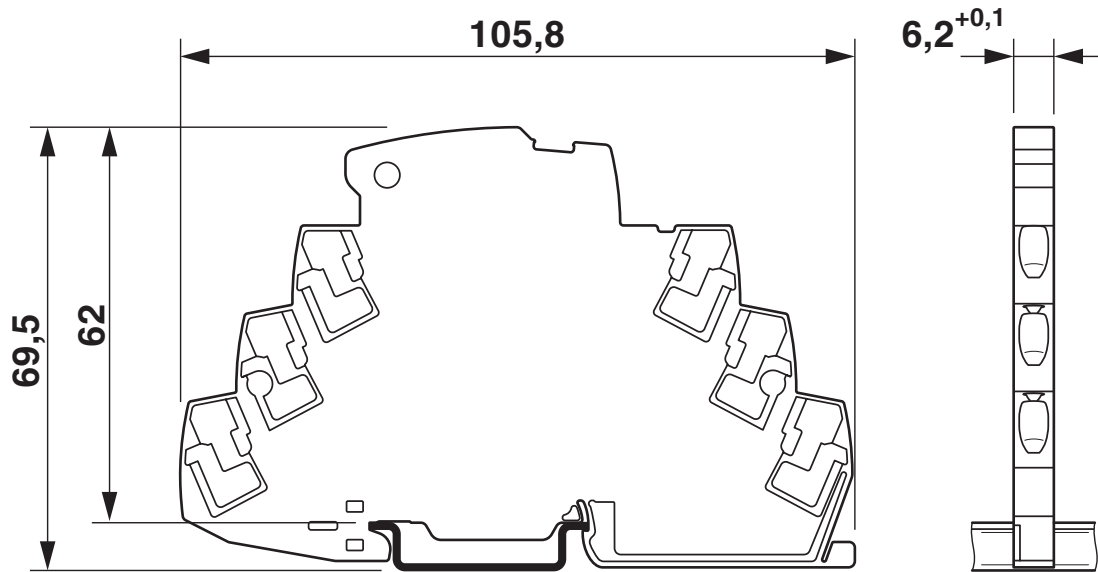


2906805

<https://www.phoenixcontact.com/us/products/2906805>

Drawings

Dimensional drawing



Schematic diagram

TTC-6-2X1-...									
Category	1001 architecture, HFT=0				1002 architecture, HFT=1				
	PFD _{AVG}	PFH	Used budget of SIL 2 SIF		PFD _{AVG}	PFH	CCF	Used budget of SIL 3 SIF	
			PFD _{AVG}	PFH				PFD _{AVG}	PFH
	1.69 _{x10} ⁻⁵	3.00 _{x10} ⁻⁹ 1/h	0.2 %	0.3 %	8.44 _{x10} ⁻⁷	1.50 _{x10} ⁻¹⁰ 1/h	5 %	0.1 %	0.2 %
					1.69 _{x10} ⁻⁶	3.00 _{x10} ⁻¹⁰ 1/h	10 %	0.2 %	0.3 %
Calculation based on exida report, Phoenix Contact 16/06-072 R023 V3R1 exida Profile 1, FMEDA Analysis 2, T _{proof} : 1 year, MT: 10 years, MTTR: 24 hours, PTC: 99% Used standards IEC/EN 61508, edition 2010 (device specific) IEC/EN 61511, edition 2016 + COR1:2016 + A1:2017 (system specific)									

Functional safety scenarios

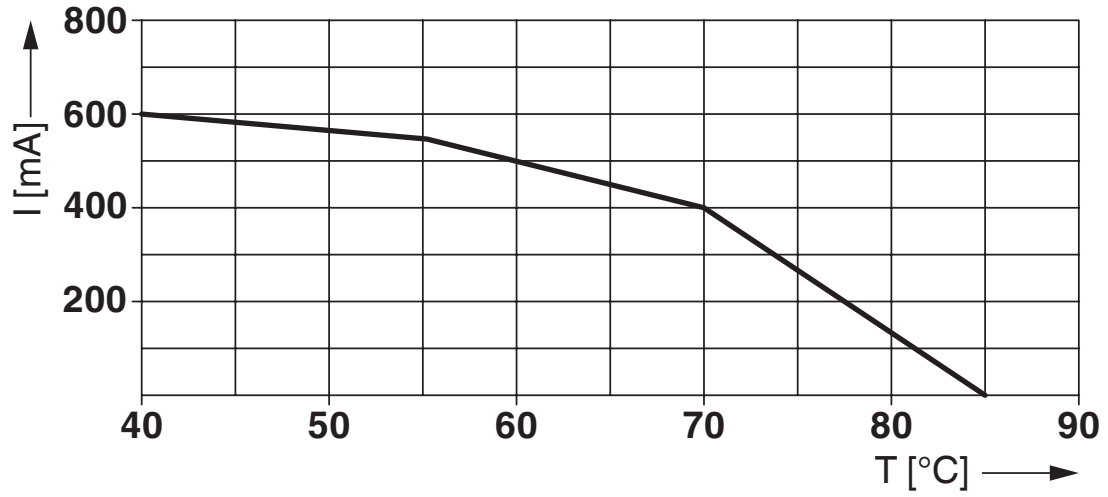
TTC-6-2X1-24DC-PT - Surge protection device



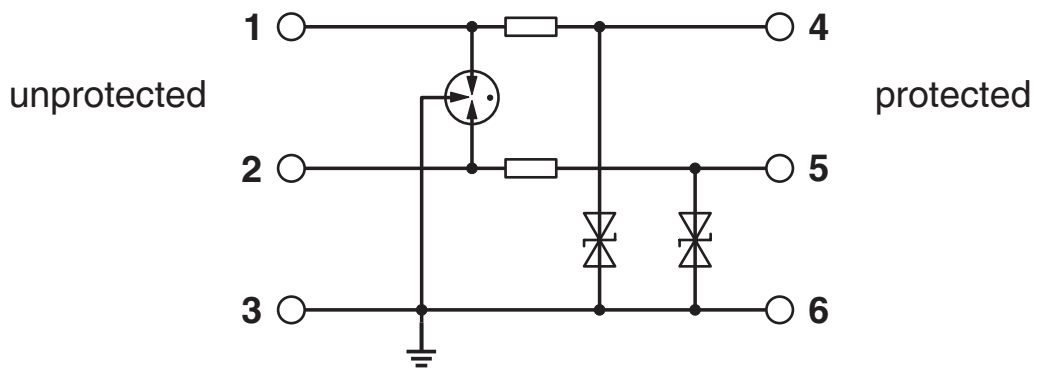
2906805

<https://www.phoenixcontact.com/us/products/2906805>

Diagram



Circuit diagram



TTC-6-2X1-24DC-PT - Surge protection device



2906805

<https://www.phoenixcontact.com/us/products/2906805>

Approvals

To download certificates, visit the product detail page: <https://www.phoenixcontact.com/us/products/2906805>



CSA

Approval ID: 70136717



DNV GL

Approval ID: TAE000027G



UL Listed

Approval ID: FILE E 138168



CSAus

Approval ID: 70136717

UAE-RoHS

Approval ID: 22-06-16191

Functional Safety

Approval ID: 16-06-072 R023 V3R1

TTC-6-2X1-24DC-PT - Surge protection device



2906805

<https://www.phoenixcontact.com/us/products/2906805>

Classifications

ECLASS

ECLASS-13.0	27171501
ECLASS-15.0	27171501

ETIM

ETIM 10.0	EC001466
-----------	----------

UNSPSC

UNSPSC 21.0	39121600
-------------	----------

TTC-6-2X1-24DC-PT - Surge protection device



2906805

<https://www.phoenixcontact.com/us/products/2906805>

Environmental product compliance

EU RoHS

Fulfills EU RoHS substance requirements	Yes
Exemption	7(a), 7(c)-I

China RoHS

Environment friendly use period (EFUP)	EFUP-50
	An article-related China RoHS declaration table can be found in the download area for the respective article under "Manufacturer declaration". For all articles with EFUP-E, no China RoHS declaration table issued and required.

EU REACH SVHC

REACH candidate substance (CAS No.)	Lead(CAS: 7439-92-1)
	Lead(CAS: 7439-92-1)
SCIP	6e2c44a3-d0ac-4577-a1b1-e84ac55db3e4

EF3.1 Climate Change

CO2e kg	1.128 kg CO2e
---------	---------------

Phoenix Contact 2026 © - all rights reserved
<https://www.phoenixcontact.com>

Phoenix Contact USA
586 Fulling Mill Road
Middletown, PA 17057, United States
(+717) 944-1300
info@phoenixcon.com