

IOA DI/DO/BFI/DS/1.0A/EX - Input/output module



2906600

<https://www.phoenixcontact.com/us/products/2906600>

Please be informed that the data shown in this PDF document is generated from our online catalog. Please find the complete data in the user documentation. Our general terms of use for downloads are valid.



Fuse module for VIP I/O marshalling base elements with replaceable 1 A fuses in the field device supply path and in the signal path. Integrated test points and a disconnect knife allow uninterrupted signal measurement. HART transparent.

Product description

Fuse module with replaceable 1 A fuse in the supply path and in the signal path. This enables field devices to be supplied with voltage directly from the base element. In addition, the I/O board is protected against short circuits in the signal lines. If a fuse fails, this is indicated by an LED. Test points and a disconnect knife are available in the signal path for uninterrupted signal measurement. The module is installed on a corresponding VIP I/O-Marshalling base element by means of plug-in contact. Installation in zone 2, "ec" type of protection is permitted.

Your advantages

- Signal line blown fuse indication
- Two-stage progressive release allowing for voltage checks with field-powered devices
- Channel for marking accessories
- Replaceable TE5-style fusing
- Signal disconnect with test points
- Integrated keying reduces possible user error during replacement
- 24 V internal marshalling option for connected field device with blown fuse indication

Commercial data

Item number	2906600
Packing unit	1 pc
Minimum order quantity	1 pc
Note	Made to order (non-returnable)
Sales key	C480
Product key	DK115Z
GTIN	4055626295268
Weight per piece (including packing)	72.5 g
Weight per piece (excluding packing)	24.1 g
Customs tariff number	85371098
Country of origin	US

Technical data

Product properties

Product type	Interface module
Product family	VIP I/O-Marshalling
No. of channels	1
Operating mode	100% operating factor

Insulation characteristics

Overvoltage category	II
Pollution degree	2

Electrical properties

Operating voltage (DC)	24 V DC
Operating voltage U_{max}	≤ 30 V
Current (per branch)	≤ 1 A (fuse limited)

Output data

Nominal supply voltage	24 V DC
Continuous load current	1 A

Connection data

Control circuits

Connection method	Pin strip
Number of connections	1
Number of positions	13

Ex data

Safety data

Input voltage U_i	30 V
Input current I_i	1 A
Inductance L_i	0 mH
Capacitance C_i	0 μ F
Max. output voltage U_o	U_i
Max. output current I_o	I_i
Max. output power P_o	P_i

Interfaces

Data communication (bypass)

HART function	HART transparency
Protocols supported	HART

Signaling

IOA DI/DO/BFI/DS/1.0A/EX - Input/output module



2906600

<https://www.phoenixcontact.com/us/products/2906600>

Status display	no
Status display present	yes, if the fuse fails

Dimensions

Item dimensions

Width	10.3 mm
Height	64.2 mm
Depth	72.9 mm

Material specifications

Color	gray (RAL 7042)
Flammability rating according to UL 94	V0

Environmental and real-life conditions

Ambient conditions

Degree of protection	IP20
Ambient temperature (operation)	-40 °C ... 75 °C
Ambient temperature (storage/transport)	-40 °C ... 75 °C
Altitude	≤ 2000 m
Permissible humidity (operation)	0 % ... 95 % (non-condensing)

Approvals

ATEX

Identification	Ex II 3G Ex ec IIC T4 Gc
Certificate	JSHP 24ATEX0049X

IECEX

Identification	Ex ec IIC T4 Gc
Certificate	IECEX JSH 24.0011X

UKEX

Identification	Ⓜ II 3G Ex ec IIC T4 Gc
Certificate	PxCIF23UKEX2906598X

UL, USA/Canada

Identification	Class I, Div. 2, Groups A, B, C, D T4
	Class I, Zone 2, IIC T4

CSA, USA/Canada

Identification	Class I, Div. 2, Groups A, B, C, D T4
	Class I, Zone 2, AEx nA IIC T4 Gc
	Ex nA IIC T4 Gc

Standards and regulations

Standards/regulations	IEC 60664
-----------------------	-----------

IOA DI/DO/BFI/DS/1.0A/EX - Input/output module



2906600

<https://www.phoenixcontact.com/us/products/2906600>

	DIN EN 50178
--	--------------

Mounting

Mounting position	any
-------------------	-----

IOA DI/DO/BFI/DS/1.0A/EX - Input/output module

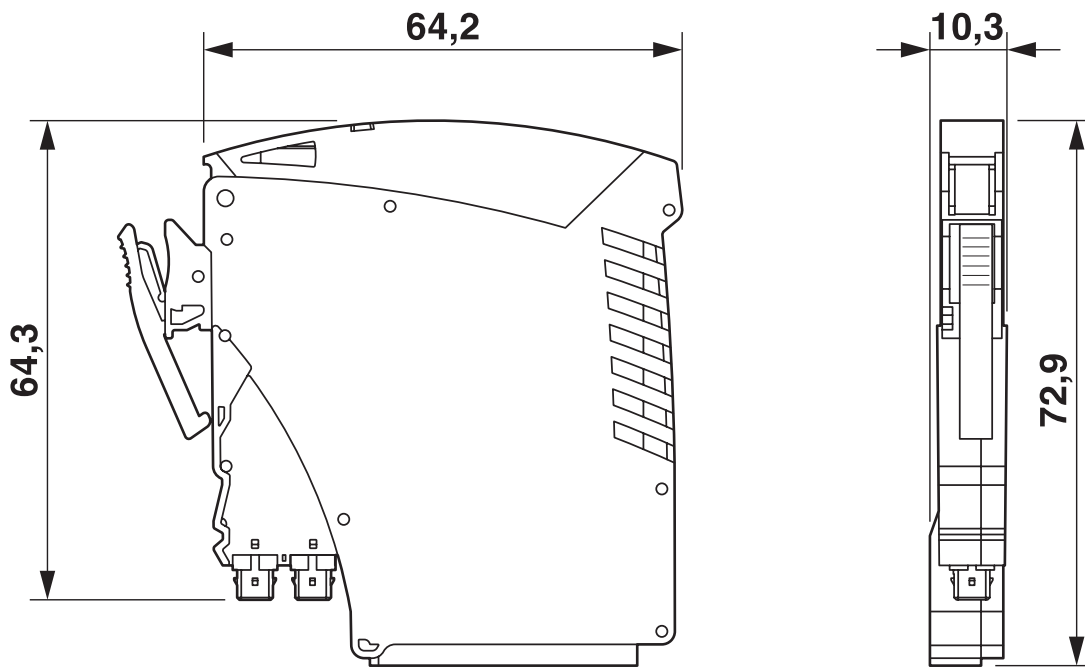


2906600

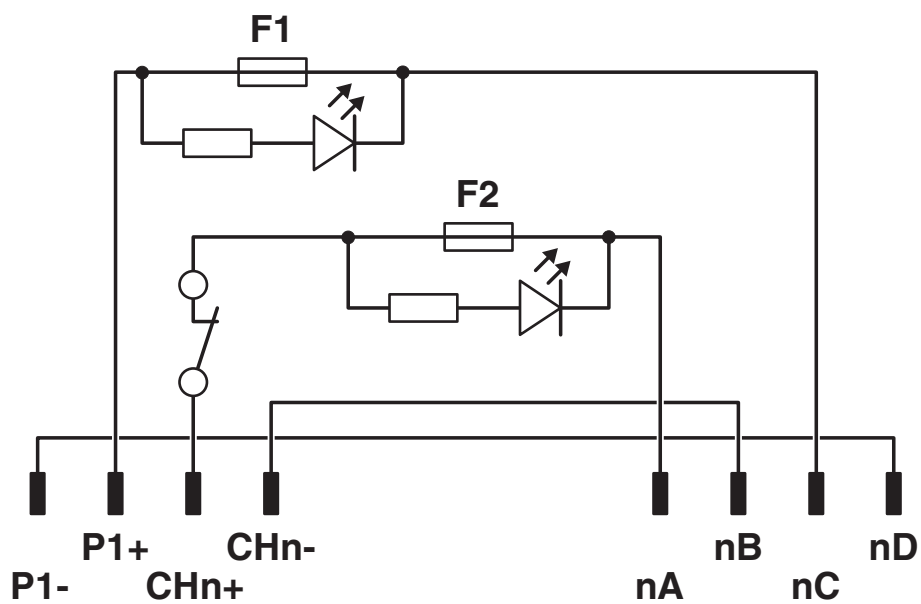
<https://www.phoenixcontact.com/us/products/2906600>

Drawings

Dimensional drawing



Circuit diagram



IOA DI/DO/BFI/DS/1.0A/EX - Input/output module



2906600

<https://www.phoenixcontact.com/us/products/2906600>

Approvals

To download certificates, visit the product detail page: <https://www.phoenixcontact.com/us/products/2906600>

Functional Safety

Approval ID: PHO 16-09-035



IECEX

Approval ID: IECEX JSP 24.0011X



CSA

Approval ID: 80071103



CSAus

Approval ID: 80071103



cULus Listed

Approval ID: E196811-201707007

ATEX

Approval ID: JSHP 24 ATEX 0049X

IOA DI/DO/BFI/DS/1.0A/EX - Input/output module



2906600

<https://www.phoenixcontact.com/us/products/2906600>

Classifications

ECLASS

ECLASS-13.0	27141152
ECLASS-15.0	27141152

ETIM

ETIM 10.0	EC002780
-----------	----------

UNSPSC

UNSPSC 21.0	39121400
-------------	----------

2906600

<https://www.phoenixcontact.com/us/products/2906600>

Environmental product compliance

EU RoHS

Fulfills EU RoHS substance requirements	Yes
Exemption	6(c), 7(c)-I

China RoHS

Environment friendly use period (EFUP)	EFUP-50
	An article-related China RoHS declaration table can be found in the download area for the respective article under "Manufacturer declaration". For all articles with EFUP-E, no China RoHS declaration table issued and required.

EU REACH SVHC

REACH candidate substance (CAS No.)	Lead(CAS: 7439-92-1)
SCIP	e06ecdcd-2e91-4dde-923b-d0ee8a45b012

Phoenix Contact 2026 © - all rights reserved

<https://www.phoenixcontact.com>

Phoenix Contact USA
586 Fulling Mill Road
Middletown, PA 17057, United States
(+717) 944-1300
info@phoenixcon.com