

VIP/S/D25M/BASE 1-8/L/C/EX - Base module



2906595

<https://www.phoenixcontact.com/us/products/2906595>

Please be informed that the data shown in this PDF document is generated from our online catalog. Please find the complete data in the user documentation. Our general terms of use for downloads are valid.



8-channel VIP I/O marshalling base element for universal use. All connections as screw connection technology. This module with the D-SUB 25 connector is pin compatible with the Foxboro I/A series DCS.

Your advantages

- Integrated carrier for IOA insertion and retention
- Screw-clamp field connections
- Power bus terminals with redundancy
- Each channel has four connections (A, B, C, D) and multiple shield options
- Channels for marking accessories
- Integrated DIN rail ground foot
- Rugged metal DIN rail foot for ease of installation or removal from the rail
- Terminals for discrete wiring or cable connection

Commercial data

| | |
|--------------------------------------|---------------|
| Item number | 2906595 |
| Packing unit | 1 pc |
| Minimum order quantity | 1 pc |
| Sales key | C480 |
| Product key | DK115A |
| GTIN | 4055626184609 |
| Weight per piece (including packing) | 442.3 g |
| Weight per piece (excluding packing) | 442.3 g |
| Customs tariff number | 85366990 |
| Country of origin | US |

VIP/S/D25M/BASE 1-8/L/C/EX - Base module



2906595

<https://www.phoenixcontact.com/us/products/2906595>

Technical data

Product properties

| | |
|-----------------|---------------------|
| Product type | Module carrier |
| Product family | VIP I/O-Marshalling |
| No. of channels | 8 |

Insulation characteristics

| | |
|----------------------|----|
| Overvoltage category | II |
| Pollution degree | 2 |

Electrical properties

| | |
|-----------------------------|-------------------------------------|
| Operating voltage U_{max} | ≤ 30 V DC (field terminals) |
| | ≤ 230 V AC (field terminals) |
| | ≤ 30 V DC (A and B terminals) |
| | ≤ 30 V DC (D-SUB 25 connector) |
| | \leq |
| Current (per branch) | ≤ 3 A (field signal) |
| | ≤ 1 A (control contacts) |
| Current () | 4 A |
| Current () | 15 A |

Connection data

Field level

| | |
|----------------------------------|---|
| Connection in acc. with standard | IEC / EN |
| Connection method | Screw connection |
| Stripping length | 8 mm |
| Screw thread | M3 |
| Conductor cross-section rigid | 0.2 mm ² ... 4 mm ² |
| Conductor cross-section flexible | 0.2 mm ² ... 2.5 mm ² |
| Conductor cross-section AWG | 24 ... 12 |
| Tightening torque | 0.5 Nm ... 0.6 Nm |

Controller level

| | |
|-----------------------|--------------------|
| Connection method | D-SUB 25 |
| Number of connections | 1 |
| Number of positions | 25 |
| Tightening torque | 0.3 Nm ... 0.34 Nm |

Power-level terminals

| | |
|----------------------------------|--|
| Connection method | Screw connection |
| Number of connections | 2 |
| Conductor cross-section rigid | 0.14 mm ² ... 2.5 mm ² |
| Conductor cross-section flexible | 0.14 mm ² ... 2.5 mm ² |

VIP/S/D25M/BASE 1-8/L/C/EX - Base module



2906595

<https://www.phoenixcontact.com/us/products/2906595>

| | |
|-----------------------------|-------------------|
| Conductor cross-section AWG | 26 ... 14 |
| Tightening torque | 0.5 Nm ... 0.6 Nm |

Ex data

Safety data

| | |
|--------------------------------------|--|
| Input voltage U_i | 30 V (per channel) |
| Input current I_i | 1 A (per channel) |
| Inductance L_i | 0 mH |
| Capacitance C_i | 0 μ F |
| Safety-related maximum voltage U_m | 253 V AC/DC (A and B terminals and D-SUB 25) |

Signaling

| | |
|------------------------|----|
| Status display | no |
| Status display present | no |

Dimensions

Item dimensions

| | |
|--------|----------|
| Width | 123.1 mm |
| Height | 102.7 mm |
| Depth | 72.2 mm |

Material specifications

| | |
|-------|-----------------|
| Color | gray (RAL 7042) |
|-------|-----------------|

Environmental and real-life conditions

Ambient conditions

| | |
|---|-------------------------------|
| Degree of protection | IP20 |
| Ambient temperature (operation) | -40 °C ... 75 °C |
| Ambient temperature (storage/transport) | -40 °C ... 75 °C |
| Altitude | < 2000 mm |
| Permissible humidity (operation) | 0 % ... 95 % (non-condensing) |

Approvals

ATEX

| | |
|----------------|-------------------------|
| Identification | Ⓔ II 3G Ex ec IIC T4 Gc |
| Certificate | JSHP 24ATEX0050X |

IECEX

| | |
|----------------|--------------------|
| Identification | Ex ec IIC T4 Gc |
| Certificate | IECEX JSH 24.0012X |

UKEX

| | |
|----------------|-------------------------|
| Identification | Ⓔ II 3G Ex ec IIC T4 Gc |
| Certificate | PxCIF23UKEX2906595X |

VIP/S/D25M/BASE 1-8/L/C/EX - Base module



2906595

<https://www.phoenixcontact.com/us/products/2906595>

UL, USA/Canada

| | |
|----------------|---------------------------------------|
| Identification | Class I, Div. 2, Groups A, B, C, D T4 |
| | Class I, Zone 2, IIC T4 |

CSA, USA/Canada

| | |
|----------------|---------------------------------------|
| Identification | Class I, Div. 2, Groups A, B, C, D T4 |
| | Class I, Zone 2, AEx nA IIC T4 Gc |
| | Ex nA IIC T4 Gc |

Standards and regulations

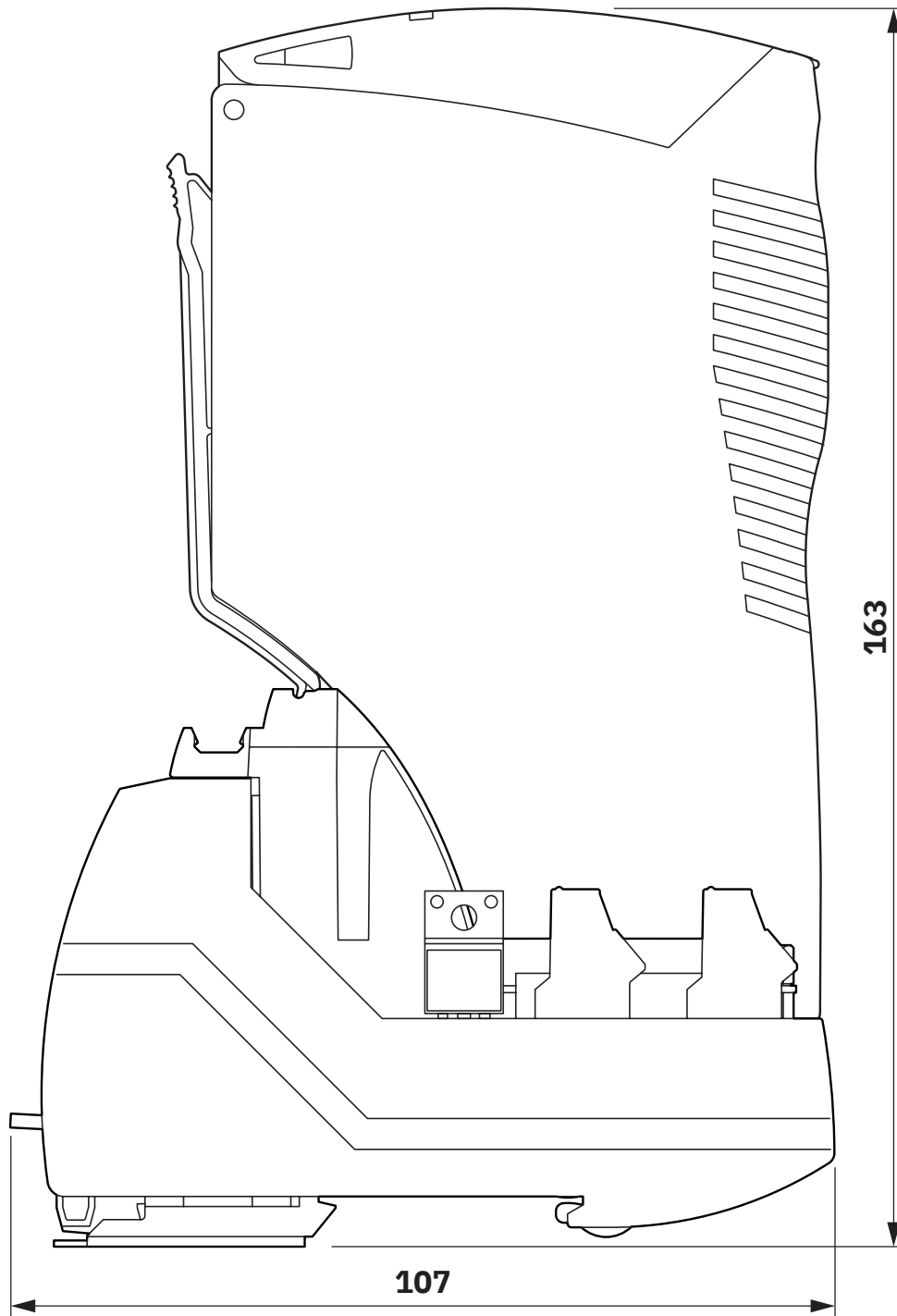
| | |
|-----------------------|--------------|
| Standards/regulations | IEC 60664 |
| | DIN EN 50178 |

Mounting

| | |
|-------------------|--|
| Mounting type | DIN rail mounting |
| Mounting position | As desired on 35 mm DIN rail in acc. with EN 60715 |

Drawings

Dimensional drawing



Termination board including IOA and accessories

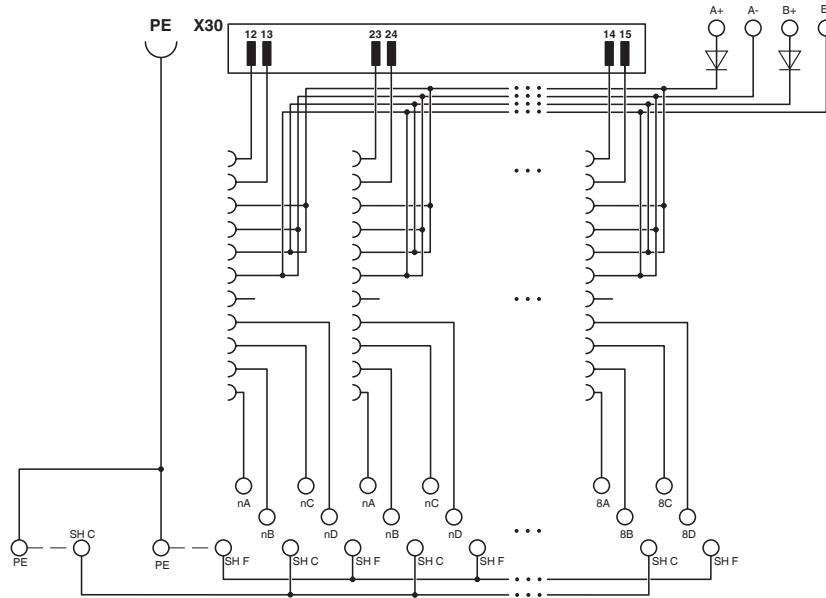
VIP/S/D25M/BASE 1-8/L/C/EX - Base module



2906595

<https://www.phoenixcontact.com/us/products/2906595>

Circuit diagram



VIP/S/D25M/BASE 1-8/L/C/EX - Base module



2906595

<https://www.phoenixcontact.com/us/products/2906595>

Approvals

To download certificates, visit the product detail page: <https://www.phoenixcontact.com/us/products/2906595>



IECEX

Approval ID: IECEX JSH 24.0012X



CSA

Approval ID: 70123589



CSAus

Approval ID: 70123589



cUL Listed

Approval ID: E196811



UL Listed

Approval ID: E196811

ATEX

Approval ID: JSHP 24 ATEX 0050X

VIP/S/D25M/BASE 1-8/L/C/EX - Base module



2906595

<https://www.phoenixcontact.com/us/products/2906595>

Classifications

ECLASS

| | |
|-------------|----------|
| ECLASS-13.0 | 27141152 |
| ECLASS-15.0 | 27141152 |

ETIM

| | |
|-----------|----------|
| ETIM 10.0 | EC002780 |
|-----------|----------|

UNSPSC

| | |
|-------------|----------|
| UNSPSC 21.0 | 39121400 |
|-------------|----------|

2906595

<https://www.phoenixcontact.com/us/products/2906595>

Environmental product compliance

EU RoHS

| | |
|---|------------|
| Fulfills EU RoHS substance requirements | Yes |
| Exemption | 6(c), 7(a) |

China RoHS

| | |
|--|---|
| Environment friendly use period (EFUP) | EFUP-50 |
| | An article-related China RoHS declaration table can be found in the download area for the respective article under "Manufacturer declaration". For all articles with EFUP-E, no China RoHS declaration table issued and required. |

EU REACH SVHC

| | |
|-------------------------------------|--------------------------------------|
| REACH candidate substance (CAS No.) | Lead(CAS: 7439-92-1) |
| SCIP | 8da7faee-f0e6-4bc9-b684-22712f381589 |

Phoenix Contact 2026 © - all rights reserved

<https://www.phoenixcontact.com>

Phoenix Contact USA
586 Fulling Mill Road
Middletown, PA 17057, United States
(+717) 944-1300
info@phoenixcon.com