

EMG150-LG/O GY - Electronics housing



2906584

<https://www.phoenixcontact.com/us/products/2906584>

Please be informed that the data shown in this PDF document is generated from our online catalog. Please find the complete data in the user documentation. Our general terms of use for downloads are valid.



Electronic housing, for PCB insertion, without screw connection terminal blocks and cover, with open terminal space

Commercial data

Item number	2906584
Packing unit	2 pc
Minimum order quantity	1 pc
Product key	ACHCBA
GTIN	4017918248154
Weight per piece (including packing)	104.6 g
Weight per piece (excluding packing)	102.5 g
Country of origin	DE

EMG150-LG/O GY - Electronics housing

2906584

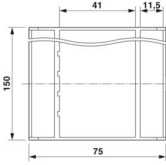
<https://www.phoenixcontact.com/us/products/2906584>

Technical data

Product properties

Housing type	Component housing
Type	Lower part of housing, removable cover optional
Number of positions	58
Pitch	5 mm

Dimensions

Dimensional drawing	
Width	150 mm
Height NS 35/7,5	55 mm
	83 mm
Depth	75 mm
Length	75 mm
Pitch	5 mm

Material specifications

Color	light gray
Flammability rating according to UL 94	V0
Housing material	Polycarbonate fiber reinforced

Environmental and real-life conditions

Ambient conditions

Ambient temperature (operation)	-40 °C ... 125 °C
---------------------------------	-------------------

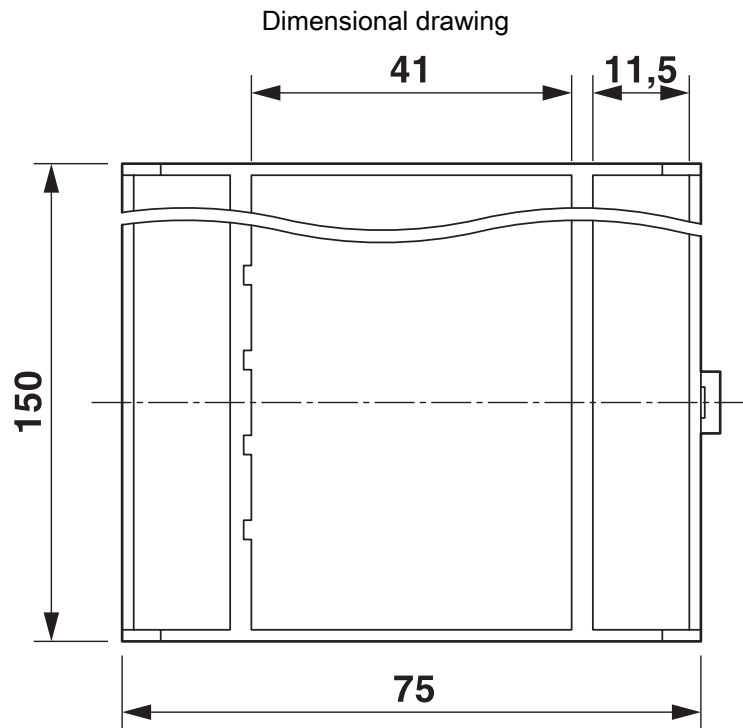
EMG150-LG/O GY - Electronics housing

2906584

<https://www.phoenixcontact.com/us/products/2906584>



Drawings



EMG150-LG/O GY - Electronics housing

2906584

<https://www.phoenixcontact.com/us/products/2906584>



Dimensional drawing



1 = Top edge of the PCB
B = Housing width

EMG150-LG/O GY - Electronics housing



2906584

<https://www.phoenixcontact.com/us/products/2906584>

Classifications

UNSPSC

UNSPSC 21.0	31261501
-------------	----------

EMG150-LG/O GY - Electronics housing



2906584

<https://www.phoenixcontact.com/us/products/2906584>

Environmental product compliance

China RoHS

Environment friendly use period (EFUP)	EFUP-E
	No hazardous substances above the limits

EU REACH SVHC

REACH candidate substance (CAS No.)	No substance above 0.1 wt%
-------------------------------------	----------------------------

Phoenix Contact 2026 © - all rights reserved
<https://www.phoenixcontact.com>

Phoenix Contact USA
586 Fulling Mill Road
Middletown, PA 17057, United States
(+717) 944-1300
info@phoenixcon.com