

# EMG150-LG/O - Electronics housing



2906571

<https://www.phoenixcontact.com/us/products/2906571>

Please be informed that the data shown in this PDF document is generated from our online catalog. Please find the complete data in the user documentation. Our general terms of use for downloads are valid.



Electronic housing, for PCB insertion, without screw connection terminal blocks and cover, with open terminal space

## Commercial data

Item number	2906571
Packing unit	2 pc
Minimum order quantity	2 pc
Sales key	AC11
Product key	ACHCBA
GTIN	4017918131357
Weight per piece (including packing)	104 g
Weight per piece (excluding packing)	107.96 g
Customs tariff number	84879090
Country of origin	DE

2906571

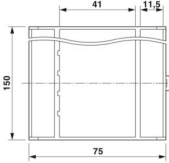
<https://www.phoenixcontact.com/us/products/2906571>

## Technical data

### Product properties

Product type	Complete housing
Housing type	Component housing
Housing series	EMG
Product family	EMG
Type	Lower part of housing, removable cover optional
Ventilation openings present	no

### Dimensions

Dimensional drawing	
Width	150 mm
Installed height	47.5 mm
Height NS 35/7,5	55 mm
	83 mm
Depth	75 mm
Length	75 mm

### Material specifications

Color (Housing)	green (RAL 6021)
Material Housing	PC (glass-fiber reinforced)
Flammability rating according to UL 94	V0
Surface characteristics	untreated

### Environmental and real-life conditions

#### Ambient conditions

Ambient temperature (operation)	-40 °C ... 125 °C
---------------------------------	-------------------

### Mounting

Mounting type	DIN rail mounting
---------------	-------------------

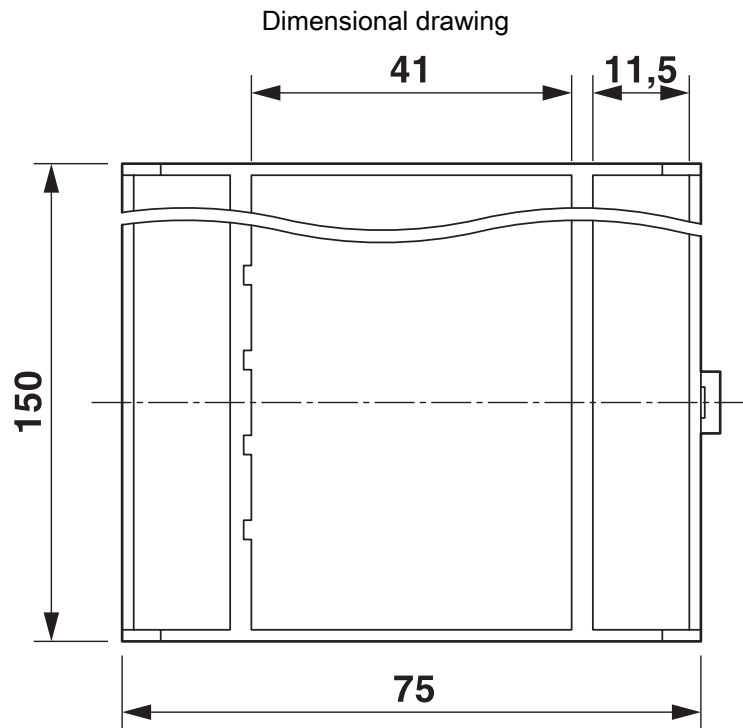
# EMG150-LG/O - Electronics housing

2906571

<https://www.phoenixcontact.com/us/products/2906571>



## Drawings

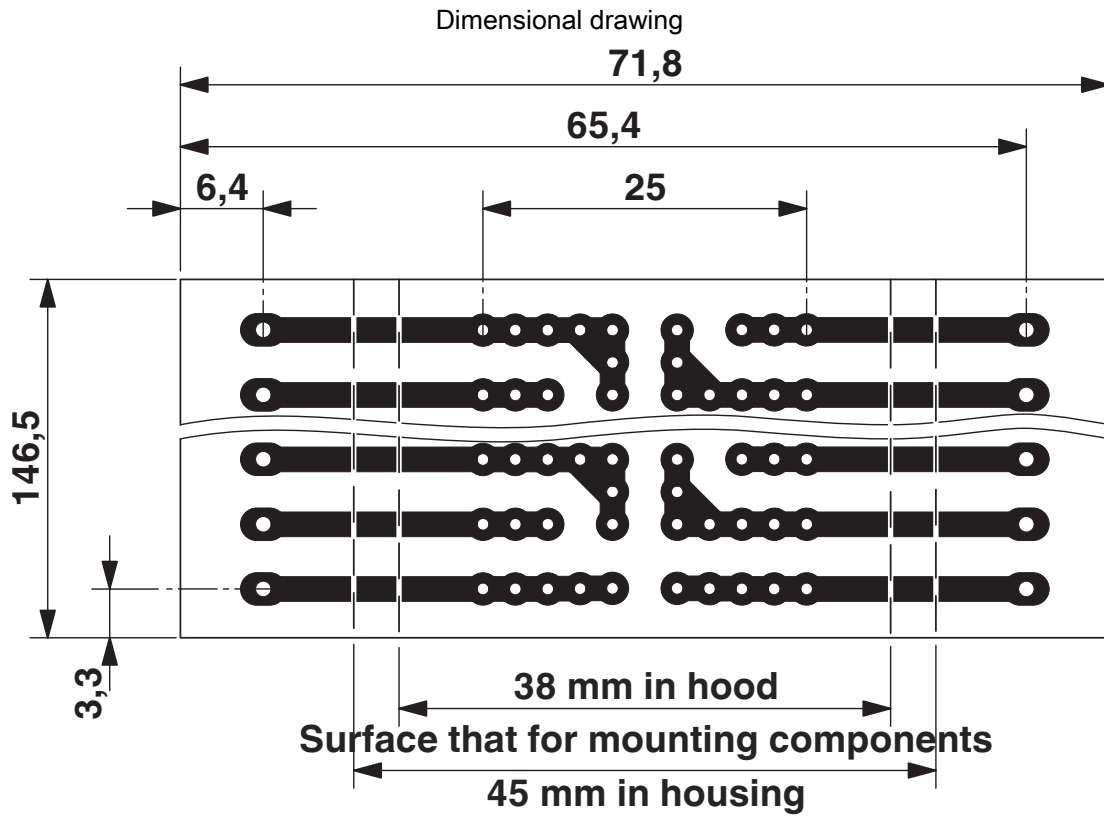




# EMG150-LG/O - Electronics housing

2906571

<https://www.phoenixcontact.com/us/products/2906571>



# EMG150-LG/O - Electronics housing



2906571

<https://www.phoenixcontact.com/us/products/2906571>

## Classifications

### ECLASS

ECLASS-13.0	27190101
ECLASS-15.0	27190101

### ETIM

ETIM 10.0	EC001031
-----------	----------

### UNSPSC

UNSPSC 21.0	31261500
-------------	----------

# EMG150-LG/O - Electronics housing



2906571

<https://www.phoenixcontact.com/us/products/2906571>

## Environmental product compliance

### EU RoHS

Fulfills EU RoHS substance requirements	Yes, No exemptions
---	--------------------

### China RoHS

Environment friendly use period (EFUP)	EFUP-E
	No hazardous substances above the limits

### EU REACH SVHC

REACH candidate substance (CAS No.)	No substance above 0.1 wt%
-------------------------------------	----------------------------

Phoenix Contact 2026 © - all rights reserved  
<https://www.phoenixcontact.com>

Phoenix Contact USA  
586 Fulling Mill Road  
Middletown, PA 17057, United States  
(+717) 944-1300  
[info@phoenixcon.com](mailto:info@phoenixcon.com)