

# UM108-SEPEF/L-A73 - Lateral element



2906513

<https://www.phoenixcontact.com/us/products/2906513>

Please be informed that the data shown in this PDF document is generated from our online catalog. Please find the complete data in the user documentation. Our general terms of use for downloads are valid.



Side element with foot, tall design, left, for 73 mm wide U-shaped cover, with PE contact to the DIN rail.

## Commercial data

Item number	2906513
Packing unit	10 pc
Minimum order quantity	1 pc
Note	Made to order (non-returnable)
Sales key	AC13
Product key	ACHDBA
GTIN	4017918131340
Weight per piece (including packing)	26.53 g
Weight per piece (excluding packing)	27.23 g
Customs tariff number	39269097
Country of origin	PL

# UM108-SEPEF/L-A73 - Lateral element



2906513

<https://www.phoenixcontact.com/us/products/2906513>

## Technical data

### Product properties

Product type	Panel mounting base side part
Housing type	Press-drawn section housings
Housing series	UM
Product family	UM108
Ventilation openings present	no

### Material specifications

Color (Side element)	green (RAL 6021)
Material Lateral element	PA
Flammability rating according to UL 94	V0

### Environmental and real-life conditions

#### Ambient conditions

Ambient temperature (operation)	-40 °C ... 105 °C (depending on power dissipation)
---------------------------------	--

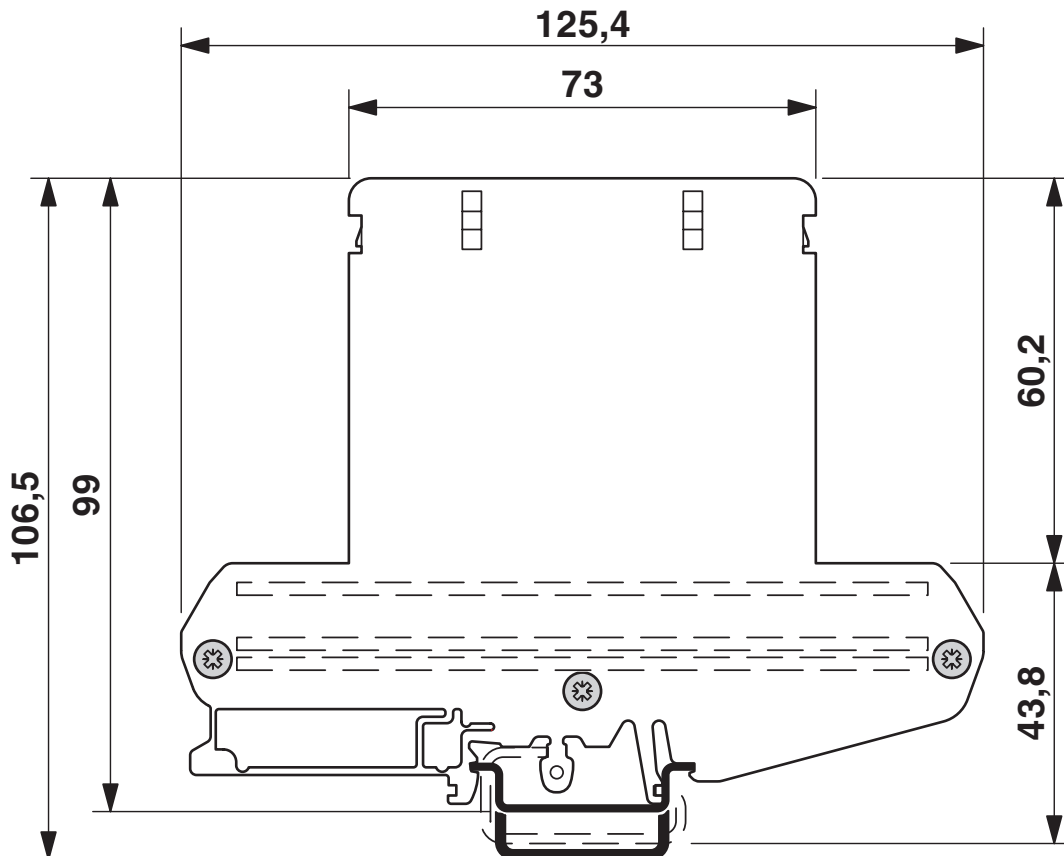
# UM108-SEPEF/L-A73 - Lateral element

2906513

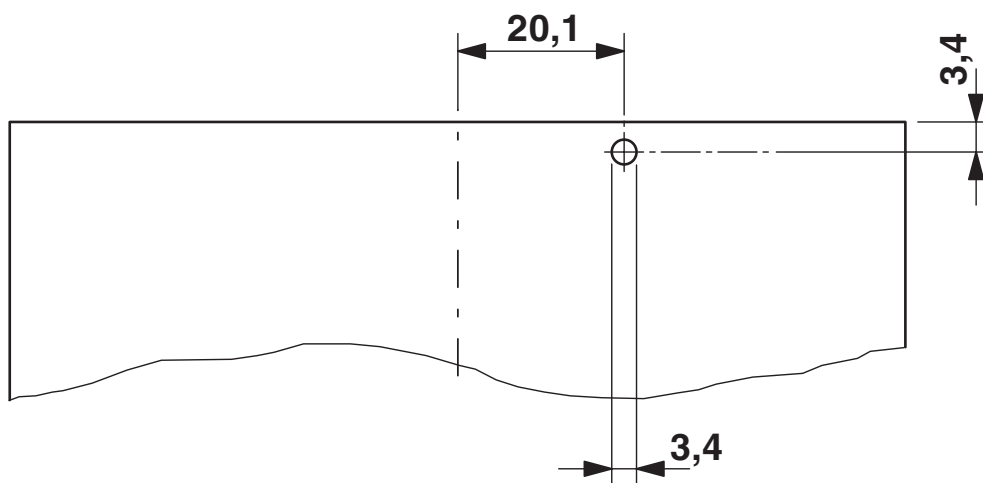
<https://www.phoenixcontact.com/us/products/2906513>

## Drawings

Dimensional drawing



Drilling plan/solder pad geometry



# UM108-SEPEF/L-A73 - Lateral element



2906513

<https://www.phoenixcontact.com/us/products/2906513>

## Approvals

To download certificates, visit the product detail page: <https://www.phoenixcontact.com/us/products/2906513>



**UL Recognized**

Approval ID: E240868

# UM108-SEPEF/L-A73 - Lateral element



2906513

<https://www.phoenixcontact.com/us/products/2906513>

## Classifications

### ECLASS

ECLASS-13.0	27190602
ECLASS-15.0	27190602

### ETIM

ETIM 10.0	EC002779
-----------	----------

### UNSPSC

UNSPSC 21.0	31261500
-------------	----------

# UM108-SEPEF/L-A73 - Lateral element



2906513

<https://www.phoenixcontact.com/us/products/2906513>

## Environmental product compliance

### EU RoHS

Fulfills EU RoHS substance requirements	Yes, No exemptions
---	--------------------

### China RoHS

Environment friendly use period (EFUP)	EFUP-E
	No hazardous substances above the limits

### EU REACH SVHC

REACH candidate substance (CAS No.)	No substance above 0.1 wt%
-------------------------------------	----------------------------

Phoenix Contact 2026 © - all rights reserved  
<https://www.phoenixcontact.com>

Phoenix Contact USA  
586 Fulling Mill Road  
Middletown, PA 17057, United States  
(+717) 944-1300  
[info@phoenixcon.com](mailto:info@phoenixcon.com)