

PLT-T3-120-P - Type 3 surge protection plug



2906494

<https://www.phoenixcontact.com/us/products/2906494>

Please be informed that the data shown in this PDF document is generated from our online catalog. Please find the complete data in the user documentation. Our general terms of use for downloads are valid.



Replacement plug for type 3 device protection from the PLUGTRAB T3 product range. 120 V nominal voltage.

Commercial data

Item number	2906494
Packing unit	1 pc
Minimum order quantity	1 pc
Product key	CLP311
GTIN	4055626082035
Weight per piece (including packing)	31 g
Weight per piece (excluding packing)	21.76 g
Country of origin	DE

PLT-T3-120-P - Type 3 surge protection plug

2906494

<https://www.phoenixcontact.com/us/products/2906494>

Technical data

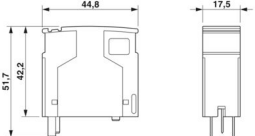
Product properties

Product type	Replacement plug
Type	Male
Number of positions	2
Surge protection fault message	optical

Insulation characteristics

Overvoltage category	III
Pollution degree	2
IEC test classification	III
	T3
EN type	T3
Number of ports	One

Dimensions

Dimensional drawing	
Width	17.5 mm
Height	44.8 mm
Depth	51.7 mm
Horizontal pitch	1 Div.

Material specifications

Flammability rating according to UL 94	V-0
CTI value of material	600
Insulating material	PA 6.6
Housing material	PA 6.6

Protective circuit

Mode of protection	L-N L-PE N-PE
Direction of action	1L-N & N-PE
Nominal voltage U_N	120 V AC (TN-S) 120 V AC (TT - only in use with RCD)
Nominal frequency f_N	50 Hz (60 Hz)
Maximum continuous operating voltage U_C	150 V AC
Rated load current I_L	16 A AC (at 63 °C)
Protective conductor current I_{PE}	$\leq 5 \mu A$

PLT-T3-120-P - Type 3 surge protection plug



2906494

<https://www.phoenixcontact.com/us/products/2906494>

Standby power consumption P_C	≤ 200 mVA
Reference test voltage U_{REF}	132 V AC
Nominal discharge current I_n (8/20) μ s	3 kA
Combination wave U_{OC}	6 kV
Voltage protection level U_p (L-N)	≤ 0.75 kV
Voltage protection level U_p (L-PE)	≤ 0.85 kV
Voltage protection level U_p (N-PE)	≤ 0.85 kV
TOV behavior at U_T (L-N)	175 V AC (5 s / withstand mode) 240 V AC (120 min / withstand mode)
TOV behavior at U_T (L-PE)	240 V AC (5 s / withstand mode) 240 V AC (120 min / withstand mode) 1332 V AC (200 ms / safe failure mode)
TOV behavior at U_T (N-PE)	1200 V AC (200 ms / safe failure mode)
Response time t_A (L-N)	≤ 25 ns
Response time t_A (L-PE)	≤ 100 ns
Response time t_A (N-PE)	≤ 100 ns
Short-circuit current rating I_{SCCR}	1.5 kA AC
Maximum backup fuse for through wiring	16 A (B)
Max. backup fuse with branch wiring	16 A (B)

Environmental and real-life conditions

Ambient conditions

Degree of protection	IP20
Ambient temperature (operation)	-40 °C ... 80 °C
Ambient temperature (storage/transport)	-40 °C ... 80 °C
Altitude	≤ 2000 m (amsl)
Permissible humidity (operation)	5 % ... 95 %

Approvals

UL specifications

Maximum continuous operating voltage MCOV	150 V AC
Nominal discharge current I_n	3 kA
Mode of protection	L-N L-G N-G
Power distribution system	Single phase
Nominal frequency	50/60 Hz
Measured limiting voltage MLV (L-N)	800 V
Measured limiting voltage MLV (L-G)	700 V
Measured limiting voltage MLV (N-G)	700 V
SPD Type	4CA

Standards and regulations

PLT-T3-120-P - Type 3 surge protection plug



2906494

<https://www.phoenixcontact.com/us/products/2906494>

Standards/specifications	EN 61643-11
Note	2012

Mounting

Mounting type	on base element
---------------	-----------------

PLT-T3-120-P - Type 3 surge protection plug

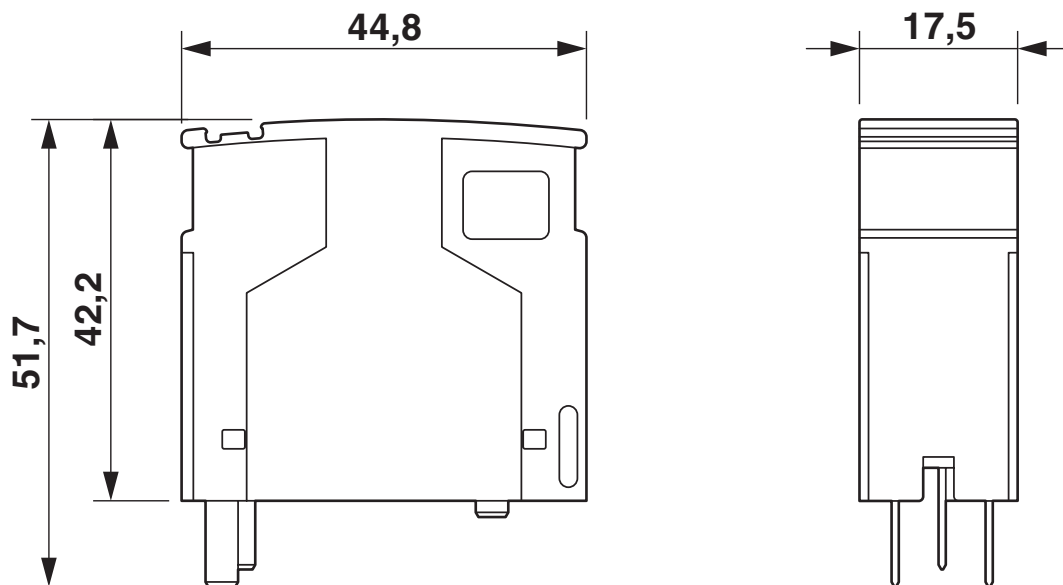
2906494

<https://www.phoenixcontact.com/us/products/2906494>



Drawings

Dimensional drawing



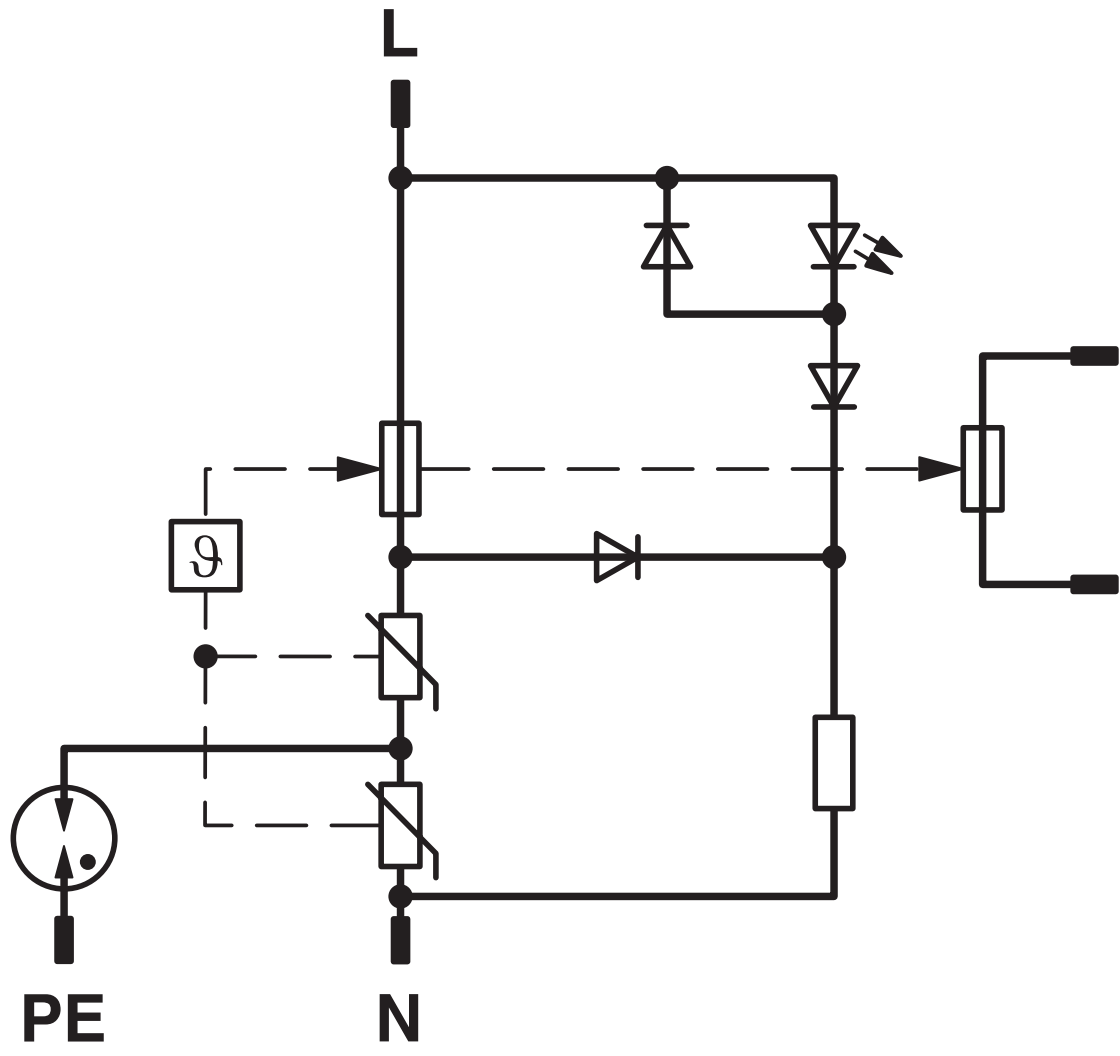
PLT-T3-120-P - Type 3 surge protection plug



2906494

<https://www.phoenixcontact.com/us/products/2906494>

Circuit diagram



PLT-T3-120-P - Type 3 surge protection plug



2906494

<https://www.phoenixcontact.com/us/products/2906494>

Environmental product compliance

China RoHS

Environment friendly use period (EFUP)	EFUP-50
	An article-related China RoHS declaration table can be found in the download area for the respective article under "Manufacturer declaration". For all articles with EFUP-E, no China RoHS declaration table issued and required.

EU REACH SVHC

REACH candidate substance (CAS No.)	No substance above 0.1 wt%
-------------------------------------	----------------------------

Phoenix Contact 2026 © - all rights reserved
<https://www.phoenixcontact.com>

Phoenix Contact USA
586 Fulling Mill Road
Middletown, PA 17057, United States
(+717) 944-1300
info@phoenixcon.com