

# PLT-T3-230-FM - Type 3 surge protection device



2906491

<https://www.phoenixcontact.com/us/products/2906491>

Please be informed that the data shown in this PDF document is generated from our online catalog. Please find the complete data in the user documentation. Our general terms of use for downloads are valid.



Pluggable device protection, according to type 3/Class III, for 1-phase power supply networks with separate N and PE (3-conductor system: L1, N, PE) with remote indication contact.

## Commercial data

Item number	2906491
Packing unit	1 pc
Minimum order quantity	1 pc
Note	Made to order (non-returnable)
Product key	CLP311
GTIN	4055626082066
Weight per piece (including packing)	81.5 g
Weight per piece (excluding packing)	78 g
Country of origin	DE

# PLT-T3-230-FM - Type 3 surge protection device



2906491

<https://www.phoenixcontact.com/us/products/2906491>

## Technical data

### Product properties

Product type	Device protection
IEC power supply system	TT
	TN-S
Type	DIN rail module, two-section, divisible
Number of positions	2
Surge protection fault message	Optical, remote indicator contact

### Insulation characteristics

Overvoltage category	III
Pollution degree	2
IEC test classification	III
	T3
EN type	T3
Number of ports	One

### Electrical properties

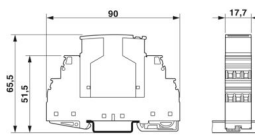
#### Indicator/remote signaling

Connection name	Remote fault indicator contact
Switching function	N/C contact
Operating voltage	250 V AC
	125 V DC (200 mA DC)
Operating current	3 A AC
	1 A DC (30 V DC)

### Connection data

Connection method	Screw connection
Screw thread	M3
Tightening torque	0.8 Nm
Conductor cross-section flexible	0.2 mm <sup>2</sup> ... 2.5 mm <sup>2</sup>
Conductor cross-section rigid	0.2 mm <sup>2</sup> ... 4 mm <sup>2</sup>
Conductor cross-section AWG	24 ... 12

### Dimensions

Dimensional drawing	
Width	17.7 mm
Height	90 mm

# PLT-T3-230-FM - Type 3 surge protection device



2906491

<https://www.phoenixcontact.com/us/products/2906491>

Depth	65.5 mm
Horizontal pitch	1 Div.

## Material specifications

Flammability rating according to UL 94	V-0
CTI value of material	600
Insulating material	PA 6.6
Housing material	PA 6.6

## Protective circuit

Mode of protection	L-N
	L-PE
	N-PE
Direction of action	1L-N & N-PE
Nominal voltage $U_N$	230 V AC (TN-S)
	230 V AC (TT - only in use with RCD)
Nominal frequency $f_N$	50 Hz (60 Hz)
Maximum continuous operating voltage $U_C$	255 V AC
Rated load current $I_L$	16 A AC (at 63 °C)
Protective conductor current $I_{PE}$	$\leq 5 \mu\text{A}$
Standby power consumption $P_C$	$\leq 350 \text{ mVA}$
Reference test voltage $U_{REF}$	255 V AC
Nominal discharge current $I_n$ (8/20) $\mu\text{s}$	3 kA
Combination wave $U_{OC}$	6 kV
Voltage protection level $U_p$ (L-N)	$\leq 1.25 \text{ kV}$
Voltage protection level $U_p$ (L-PE)	$\leq 1.4 \text{ kV}$
Voltage protection level $U_p$ (N-PE)	$\leq 1.4 \text{ kV}$
TOV behavior at $U_T$ (L-N)	440 V AC (5 s / withstand mode)
	440 V AC (120 min / withstand mode)
	1455 V AC (200 ms / safe failure mode)
TOV behavior at $U_T$ (L-PE)	440 V AC (5 s / withstand mode)
	440 V AC (120 min / withstand mode)
	1455 V AC (200 ms / safe failure mode)
TOV behavior at $U_T$ (N-PE)	1200 V AC (200 ms / safe failure mode)
Response time $t_A$ (L-N)	$\leq 25 \text{ ns}$
Response time $t_A$ (L-PE)	$\leq 100 \text{ ns}$
Response time $t_A$ (N-PE)	$\leq 100 \text{ ns}$
Short-circuit current rating $I_{SCCR}$	1.5 kA AC
Maximum backup fuse for through wiring	16 A (B)
Max. backup fuse with branch wiring	16 A (B)

## Environmental and real-life conditions

### Ambient conditions

Degree of protection	IP20
Ambient temperature (operation)	-40 °C ... 80 °C

# PLT-T3-230-FM - Type 3 surge protection device



2906491

<https://www.phoenixcontact.com/us/products/2906491>

Ambient temperature (storage/transport)	-40 °C ... 80 °C
Altitude	≤ 2000 m (amsl)
Permissible humidity (operation)	5 % ... 95 %

## Approvals

### UL specifications

Maximum continuous operating voltage MCOV	255 V AC
Nominal discharge current $I_n$	3 kA
Mode of protection	L-N
	L-G
	N-G
Power distribution system	Single phase
Nominal frequency	50/60 Hz
Measured limiting voltage MLV (L-N)	1500 V
Measured limiting voltage MLV (L-G)	1200 V
Measured limiting voltage MLV (N-G)	1200 V
SPD Type	4CA

### UL connection data

Tightening torque	5 lb <sub>f</sub> -in. ... 7 lb <sub>f</sub> -in.
Conductor cross-section AWG	14 ... 12

## Standards and regulations

Standards/specifications	EN 61643-11
Note	2012

## Mounting

Mounting type	DIN rail: 35 mm
---------------	-----------------

# PLT-T3-230-FM - Type 3 surge protection device



2906491

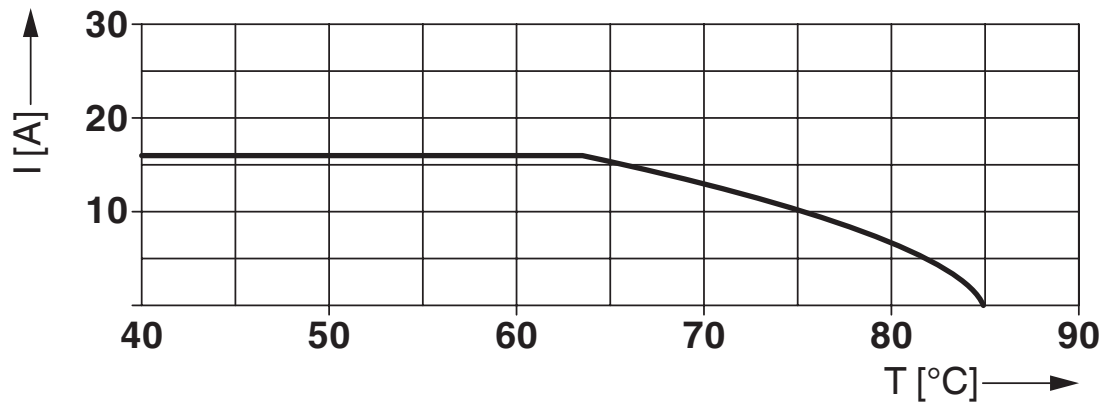
<https://www.phoenixcontact.com/us/products/2906491>

## Drawings

Dimensional drawing



Diagram



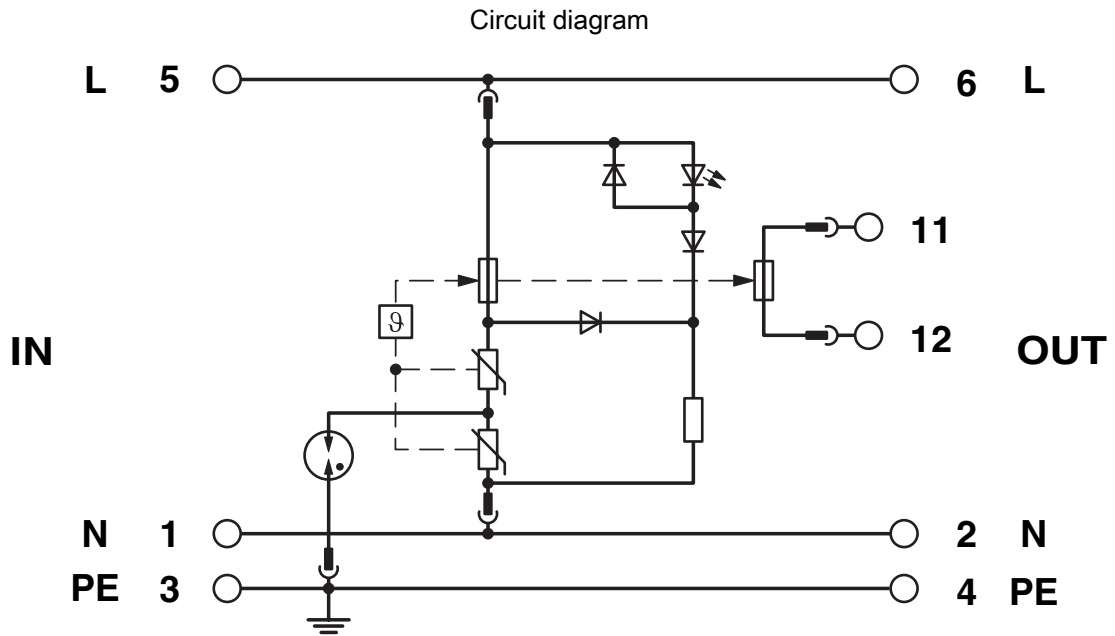
Nominal current depending on ambient temperature

# PLT-T3-230-FM - Type 3 surge protection device



2906491

<https://www.phoenixcontact.com/us/products/2906491>



# PLT-T3-230-FM - Type 3 surge protection device



2906491

<https://www.phoenixcontact.com/us/products/2906491>

## Environmental product compliance

### EU RoHS

Fulfills EU RoHS substance requirements	Yes
Exemption	6(c), 7(a)

### China RoHS

Environment friendly use period (EFUP)	EFUP-50
	An article-related China RoHS declaration table can be found in the download area for the respective article under "Manufacturer declaration". For all articles with EFUP-E, no China RoHS declaration table issued and required.

### EU REACH SVHC

REACH candidate substance (CAS No.)	Lead(CAS: 7439-92-1)
-------------------------------------	----------------------

Phoenix Contact 2026 © - all rights reserved  
<https://www.phoenixcontact.com>

Phoenix Contact USA  
586 Fulling Mill Road  
Middletown, PA 17057, United States  
(+717) 944-1300  
[info@phoenixcon.com](mailto:info@phoenixcon.com)