

# PLT-T3-60-FM - Type 3 surge protection device



2906488

<https://www.phoenixcontact.com/us/products/2906488>

Please be informed that the data shown in this PDF document is generated from our online catalog. Please find the complete data in the user documentation. Our general terms of use for downloads are valid.



Pluggable device protection, according to type 3/Class III, for 1-phase power supply networks with separate N and PE (3-conductor system: L1, N, PE) with remote indication contact.

## Commercial data

Item number	2906488
Packing unit	1 pc
Minimum order quantity	1 pc
Note	Made to order (non-returnable)
Product key	CLP311
GTIN	4055626082080
Weight per piece (including packing)	80.4 g
Weight per piece (excluding packing)	80.4 g
Country of origin	DE

# PLT-T3-60-FM - Type 3 surge protection device



2906488

<https://www.phoenixcontact.com/us/products/2906488>

## Technical data

### Notes

#### General

Note	PLT-T3-60-FM must not be used in DC applications with grounded positive pole.
------	---

### Product properties

Product type	Device protection
IEC power supply system	TT
Type	DIN rail module, two-section, divisible
Number of positions	2
Surge protection fault message	Optical, remote indicator contact

#### Insulation characteristics

Overvoltage category	III
Pollution degree	2
IEC test classification	III
	T3
EN type	T3
Number of ports	One

### Electrical properties

#### Indicator/remote signaling

Connection name	Remote fault indicator contact
Switching function	N/C contact
Operating voltage	250 V AC
	125 V DC (200 mA DC)
Operating current	3 A AC
	1 A DC (30 V DC)

### Connection data

Connection method	Screw connection
Screw thread	M3
Tightening torque	0.8 Nm
Conductor cross-section flexible	0.2 mm <sup>2</sup> ... 2.5 mm <sup>2</sup>
Conductor cross-section rigid	0.2 mm <sup>2</sup> ... 4 mm <sup>2</sup>
Conductor cross-section AWG	24 ... 12

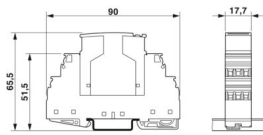
### Dimensions

# PLT-T3-60-FM - Type 3 surge protection device



2906488

<https://www.phoenixcontact.com/us/products/2906488>

Dimensional drawing	
Width	17.7 mm
Height	90 mm
Depth	65.5 mm
Horizontal pitch	1 Div.

## Material specifications

Flammability rating according to UL 94	V-0
CTI value of material	600
Insulating material	PA 6.6
Housing material	PA 6.6

## Protective circuit

Mode of protection	L-N
	L-PE
	N-PE
	(L+) - (L-)
	(L+/L-) - PE
Direction of action	1L-N & N-PE
Nominal voltage $U_N$	60 V AC (TN-S)
Nominal frequency $f_N$	50 Hz (60 Hz)
Maximum continuous operating voltage $U_C$	100 V AC
	80 V DC
Rated load current $I_L$	16 A AC (at 63 °C)
	10 A DC
Protective conductor current $I_{PE}$	$\leq 5 \mu A$
Standby power consumption $P_C$	$\leq 180 \text{ mVA}$
Reference test voltage $U_{REF}$	66 V AC
Nominal discharge current $I_n$ (8/20) $\mu s$	2 kA
Combination wave $U_{OC}$	4 kV
Voltage protection level $U_p$ (L-N)	$\leq 0.4 \text{ kV}$
Voltage protection level $U_p$ (L-PE)	$\leq 0.7 \text{ kV}$
Voltage protection level $U_p$ (N-PE)	$\leq 0.7 \text{ kV}$
Residual voltage at $I_{amax}$ , (L-N)	$\leq 0.42 \text{ kV}$ (at $I_n$ )
Residual voltage at $I_{amax}$ , (L-PE)	$\leq 0.25 \text{ kV}$ (at $I_n$ )
Residual voltage at $I_{amax}$ , (PE)	$\leq 0.25 \text{ kV}$ (at $I_n$ )
TOV behavior at $U_T$ (L-N)	105 V AC (5 s / withstand mode)
TOV behavior at $U_T$ (L-PE)	105 V AC (5 s / withstand mode)
Response time $t_A$ (L-N)	$\leq 25 \text{ ns}$
Response time $t_A$ (L-PE)	$\leq 100 \text{ ns}$

# PLT-T3-60-FM - Type 3 surge protection device



2906488

<https://www.phoenixcontact.com/us/products/2906488>

Response time $t_A$ (N-PE)	≤ 100 ns
Short-circuit current rating $I_{SCCR}$	1.5 kA AC
	1 kA DC
Maximum backup fuse for through wiring	16 A AC (B)
	10 A DC (gG)
Max. backup fuse with branch wiring	16 A AC (B)
	10 A DC (gG)

## Environmental and real-life conditions

### Ambient conditions

Degree of protection	IP20
Ambient temperature (operation)	-40 °C ... 80 °C
Ambient temperature (storage/transport)	-40 °C ... 80 °C
Altitude	≤ 2000 m (amsl)
Permissible humidity (operation)	5 % ... 95 %

## Approvals

### UL specifications

Maximum continuous operating voltage MCOV	100 V AC
Nominal discharge current $I_n$	2 kA
Mode of protection	L-N
	L-G
	N-G
Power distribution system	Single phase
Nominal frequency	50/60 Hz
Measured limiting voltage MLV (L-N)	500 V
Measured limiting voltage MLV (L-G)	900 V
Measured limiting voltage MLV (N-G)	900 V
SPD Type	4CA

### UL connection data

Tightening torque	5 lb <sub>F</sub> -in. ... 7 lb <sub>F</sub> -in.
Conductor cross-section AWG	14 ... 12

## Standards and regulations

Standards/specifications	EN 61643-11
Note	2012

## Mounting

Mounting type	DIN rail: 35 mm
---------------	-----------------

# PLT-T3-60-FM - Type 3 surge protection device



2906488

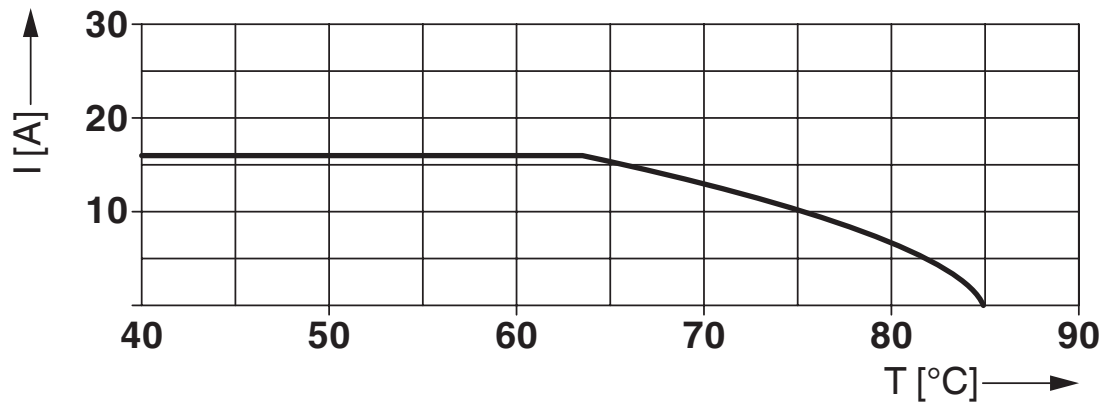
<https://www.phoenixcontact.com/us/products/2906488>

## Drawings

Dimensional drawing



Diagram



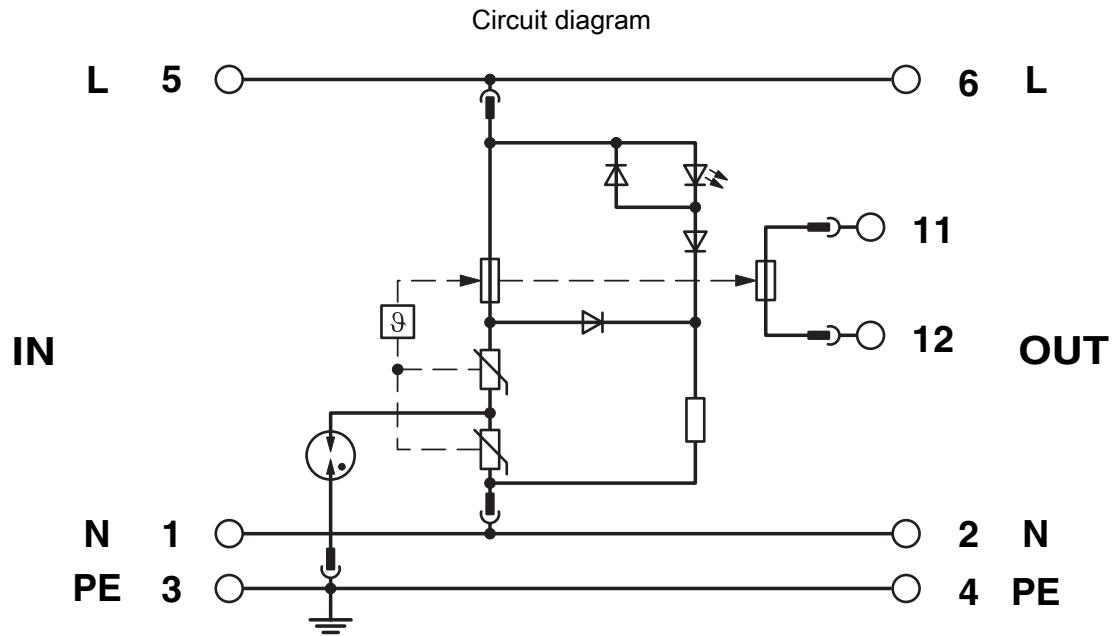
Nominal current depending on ambient temperature

# PLT-T3-60-FM - Type 3 surge protection device



2906488

<https://www.phoenixcontact.com/us/products/2906488>



# PLT-T3-60-FM - Type 3 surge protection device



2906488

<https://www.phoenixcontact.com/us/products/2906488>

## Environmental product compliance

### China RoHS

Environment friendly use period (EFUP)	EFUP-50
	An article-related China RoHS declaration table can be found in the download area for the respective article under "Manufacturer declaration". For all articles with EFUP-E, no China RoHS declaration table issued and required.

### EU REACH SVHC

REACH candidate substance (CAS No.)	No substance above 0.1 wt%
-------------------------------------	----------------------------

Phoenix Contact 2026 © - all rights reserved  
<https://www.phoenixcontact.com>

Phoenix Contact USA  
586 Fulling Mill Road  
Middletown, PA 17057, United States  
(+717) 944-1300  
[info@phoenixcon.com](mailto:info@phoenixcon.com)