

PLT-T3-24-FM - Type 3 surge protection device



2906486

<https://www.phoenixcontact.com/us/products/2906486>

Please be informed that the data shown in this PDF document is generated from our online catalog. Please find the complete data in the user documentation. Our general terms of use for downloads are valid.



Pluggable device protection, according to type 3/Class III, for 1-phase power supply networks with separate N and PE (3-conductor system: L1, N, PE) with remote indication contact.

Commercial data

Item number	2906486
Packing unit	1 pc
Minimum order quantity	1 pc
Product key	CLP311
GTIN	4055626082097
Weight per piece (including packing)	78.6 g
Weight per piece (excluding packing)	66.2 g
Country of origin	DE

PLT-T3-24-FM - Type 3 surge protection device



2906486

<https://www.phoenixcontact.com/us/products/2906486>

Technical data

Notes

General

Note	PLT-T3-24-FM must not be used in DC applications with grounded positive pole.
------	---

Product properties

Product type	Device protection
IEC power supply system	TT
Type	DIN rail module, two-section, divisible
Number of positions	2
Surge protection fault message	Optical, remote indicator contact

Insulation characteristics

Overvoltage category	III
Pollution degree	2
IEC test classification	III
	T3
EN type	T3
Number of ports	One

Electrical properties

Indicator/remote signaling

Connection name	Remote fault indicator contact
Switching function	N/C contact
Operating voltage	250 V AC
	125 V DC (200 mA DC)
Operating current	3 A AC
	1 A DC (30 V DC)

Connection data

Connection method	Screw connection
Screw thread	M3
Tightening torque	0.8 Nm
Conductor cross-section flexible	0.2 mm ² ... 2.5 mm ²
Conductor cross-section rigid	0.2 mm ² ... 4 mm ²
Conductor cross-section AWG	24 ... 12

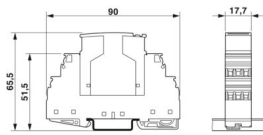
Dimensions

PLT-T3-24-FM - Type 3 surge protection device



2906486

<https://www.phoenixcontact.com/us/products/2906486>

Dimensional drawing	
Width	17.7 mm
Height	90 mm
Depth	65.5 mm
Horizontal pitch	1 Div.

Material specifications

Flammability rating according to UL 94	V-0
CTI value of material	600
Insulating material	PA 6.6
Housing material	PA 6.6

Protective circuit

Mode of protection	L-N
	L-PE
	N-PE
	(L+) - (L-)
	(L+/L-) - PE
Direction of action	1L-N & N-PE
Nominal voltage U_N	24 V AC (TN-S)
Nominal frequency f_N	50 Hz (60 Hz)
Maximum continuous operating voltage U_C	34 V AC
	44 V DC
Rated load current I_L	16 A AC (at 63 °C)
	10 A DC
Protective conductor current I_{PE}	$\leq 5 \mu A$
Standby power consumption P_C	$\leq 60 \text{ mVA}$
Reference test voltage U_{REF}	27 V AC
Nominal discharge current I_n (8/20) μs	1 kA
Combination wave U_{OC}	2 kV
Voltage protection level U_p (L-N)	$\leq 0.18 \text{ kV}$
Voltage protection level U_p (L-PE)	$\leq 0.55 \text{ kV}$
Voltage protection level U_p (N-PE)	$\leq 0.55 \text{ kV}$
Residual voltage at I_{amax} , (L-N)	$\leq 0.18 \text{ kV}$ (at I_n)
Residual voltage at I_{amax} , (L-PE)	$\leq 0.12 \text{ kV}$ (at I_n)
Residual voltage at I_{amax} , (PE)	$\leq 0.12 \text{ kV}$ (at I_n)
TOV behavior at U_T (L-N)	36 V AC (5 s / withstand mode)
TOV behavior at U_T (L-PE)	42 V AC (5 s / withstand mode)
Response time t_A (L-N)	$\leq 25 \text{ ns}$
Response time t_A (L-PE)	$\leq 100 \text{ ns}$

PLT-T3-24-FM - Type 3 surge protection device



2906486

<https://www.phoenixcontact.com/us/products/2906486>

Response time t_A (N-PE)	≤ 100 ns
Short-circuit current rating I_{SCCR}	1.5 kA AC
	1 kA DC
Maximum backup fuse for through wiring	16 A AC (B)
	10 A DC (gG)
	10 A DC (B)
Max. backup fuse with branch wiring	16 A AC (B)
	10 A DC (gG)
	10 A DC (B)

Environmental and real-life conditions

Ambient conditions

Degree of protection	IP20
Ambient temperature (operation)	-40 °C ... 80 °C
Ambient temperature (storage/transport)	-40 °C ... 80 °C
Altitude	≤ 2000 m (amsl)
Permissible humidity (operation)	5 % ... 95 %

Approvals

UL specifications

Maximum continuous operating voltage MCOV	34 V AC
	34 V DC
Nominal discharge current I_n	1 kA
Mode of protection	L-N
	L-G
	N-G
	(L+) - (L-)
	(L+) - G
	(L-) - G
Nominal voltage	24 V DC
Rated load current I_L	20 A
Power distribution system	Single phase
Nominal frequency	50/60 Hz
Measured limiting voltage MLV (L-N)	330 V
Measured limiting voltage MLV (L-G)	600 V
Measured limiting voltage MLV (N-G)	600 V
Measured limiting voltage MLV (L+) - (L-)	330 V
Measured limiting voltage MLV (L+) - G	600 V
Measured limiting voltage MLV (L-) - G	600 V
SPD Type	4CA

UL connection data

Tightening torque	5 lb _F ·in. ... 7 lb _F ·in.
Conductor cross-section AWG	14 ... 12

PLT-T3-24-FM - Type 3 surge protection device



2906486

<https://www.phoenixcontact.com/us/products/2906486>

Standards and regulations

Standards/specifications	EN 61643-11
Note	2012

Mounting

Mounting type	DIN rail: 35 mm
---------------	-----------------

PLT-T3-24-FM - Type 3 surge protection device



2906486

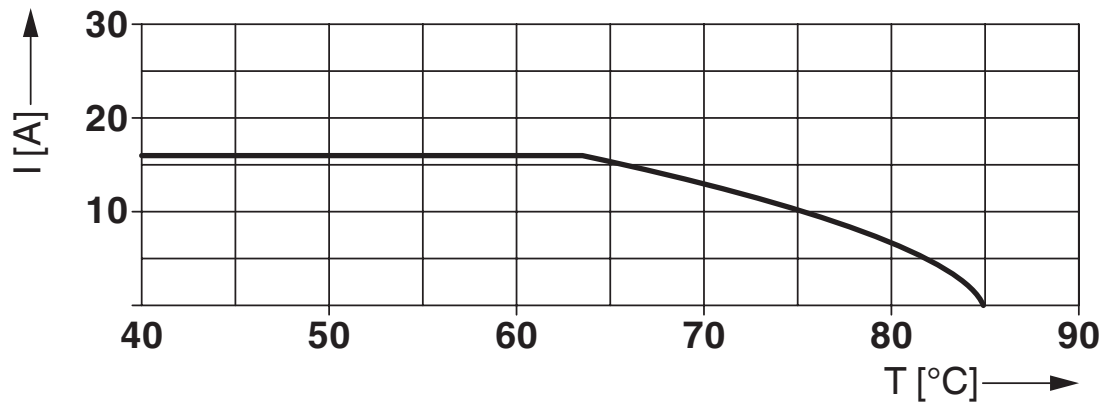
<https://www.phoenixcontact.com/us/products/2906486>

Drawings

Dimensional drawing



Diagram



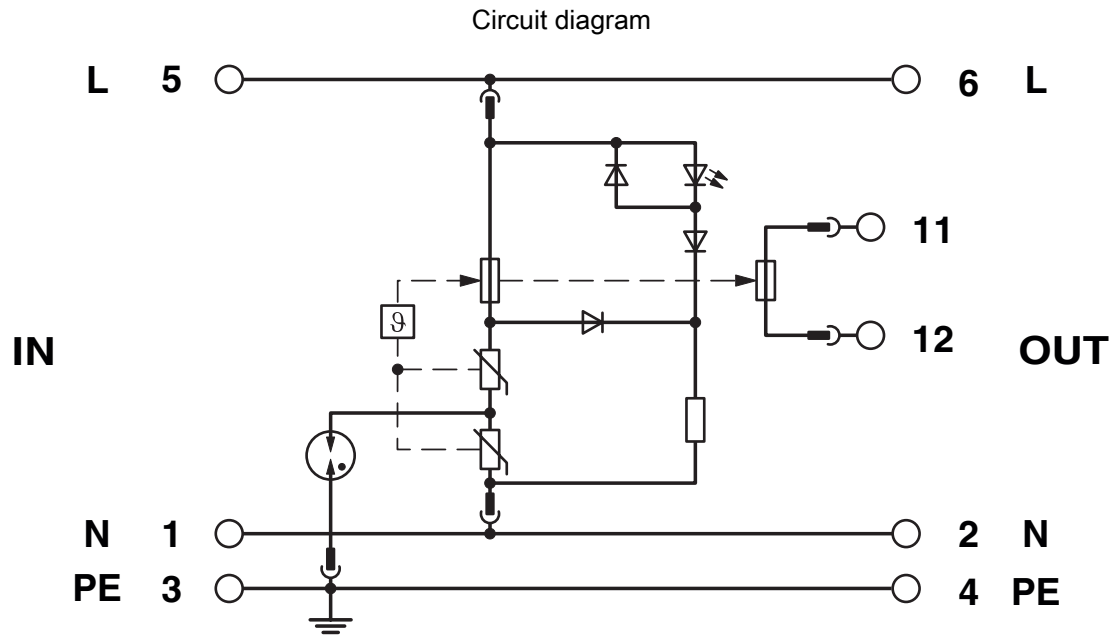
Nominal current depending on ambient temperature

PLT-T3-24-FM - Type 3 surge protection device



2906486

<https://www.phoenixcontact.com/us/products/2906486>



PLT-T3-24-FM - Type 3 surge protection device



2906486

<https://www.phoenixcontact.com/us/products/2906486>

Environmental product compliance

China RoHS

Environment friendly use period (EFUP)	EFUP-50
	An article-related China RoHS declaration table can be found in the download area for the respective article under "Manufacturer declaration". For all articles with EFUP-E, no China RoHS declaration table issued and required.

EU REACH SVHC

REACH candidate substance (CAS No.)	No substance above 0.1 wt%
-------------------------------------	----------------------------

Phoenix Contact 2026 © - all rights reserved
<https://www.phoenixcontact.com>

Phoenix Contact USA
586 Fulling Mill Road
Middletown, PA 17057, United States
(+717) 944-1300
info@phoenixcon.com