

VAL-MS/4+0-BE/FM RN. - Type 2 surge protection base element



2906484

<https://www.phoenixcontact.com/us/products/2906484>

Please be informed that the data shown in this PDF document is generated from our online catalog. Please find the complete data in the user documentation. Our general terms of use for downloads are valid.



Base element for type 2 arresters of the VALVETRAB MS series of products, with remote indication contact. Version for 3-phase power supply with separate installation of N and PE conductors.

Commercial data

| | |
|--------------------------------------|---------------|
| Item number | 2906484 |
| Packing unit | 1 pc |
| Minimum order quantity | 1 pc |
| Sales key | CL18 |
| Product key | CL1151 |
| GTIN | 4055626081601 |
| Weight per piece (including packing) | 293.7 g |
| Weight per piece (excluding packing) | 293.7 g |
| Customs tariff number | 85366990 |
| Country of origin | DE |

VAL-MS/4+0-BE/FM RN. - Type 2 surge protection base element



2906484

<https://www.phoenixcontact.com/us/products/2906484>

Technical data

Notes

General

| | |
|------|---|
| Note | For installation into a touch protected cabinet. For applications with $U_C > 500$ V distances at the side and distances at the connection area must be minimum of 5 mm between different active parts including earthed parts. |
|------|---|

Product properties

| | |
|--------------------------------|---------------------------------|
| Product type | Base element |
| Product family | VALVETRAB MS |
| IEC test classification | II T2 |
| EN type | T2 |
| Type | Base element, DIN rail mounting |
| Number of positions | 4 |
| Surge protection fault message | Remote indication contact |

Insulation characteristics

| | |
|----------------------|-----|
| Overvoltage category | III |
| Pollution degree | 2 |

Electrical properties

| | |
|-------------------------|---------------|
| Nominal frequency f_N | 50 Hz (60 Hz) |
|-------------------------|---------------|

Indicator/remote signaling

| | |
|--------------------|---------------------------------|
| Connection name | Remote fault indicator contact |
| Switching function | Changeover contact |
| Operating voltage | 5 V AC ... 250 V AC 30 V DC |
| Operating current | 5 mA AC ... 750 mA AC 1 A DC |

Connection data

| | |
|----------------------------------|---|
| Connection method | Screw connection |
| Screw thread | M5 |
| Tightening torque | 3 Nm (1.5 mm ² ... 16 mm ²) 4.5 Nm (25 mm ² ... 35 mm ²) |
| Stripping length | 16 mm |
| Conductor cross-section flexible | 1.5 mm ² ... 25 mm ² |
| Conductor cross-section rigid | 1.5 mm ² ... 35 mm ² |
| Conductor cross-section AWG | 15 ... 2 |

VAL-MS/4+0-BE/FM RN. - Type 2 surge protection base element

2906484

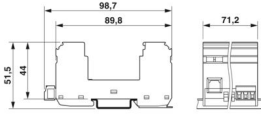
<https://www.phoenixcontact.com/us/products/2906484>

| | |
|----------------------------------|--|
| Connection method | Fork-type cable lug |
| Conductor cross-section flexible | 1.5 mm ² ... 16 mm ² |

Remote fault indicator contact

| | |
|----------------------------------|--|
| Connection method | Plug-in/screw connection via COMBICON |
| Screw thread | M2 |
| Tightening torque | 0.25 Nm |
| Stripping length | 7 mm |
| Conductor cross-section flexible | 0.14 mm ² ... 1.5 mm ² |
| Conductor cross-section rigid | 0.14 mm ² ... 1.5 mm ² |
| Conductor cross-section AWG | 28 ... 16 |

Dimensions

| | |
|---------------------|---|
| Dimensional drawing |  |
| Width | 71 mm |
| Height | 98.7 mm |
| Depth | 51.5 mm (incl. DIN rail 7.5 mm) |
| Horizontal pitch | 4 Div. |

Material specifications

| | |
|--|------------------|
| Color | black (RAL 9005) |
| Flammability rating according to UL 94 | V-0 |
| CTI value of material | 600 |
| Insulating material | PBT |
| Material group | I |
| Housing material | PBT |

Mechanical properties

Mechanical data

| | |
|-----------------|----|
| Open side panel | No |
|-----------------|----|

Protective circuit

| | |
|---|---------------|
| Direction of action | 4L-PEN |
| Nominal frequency f_N | 50 Hz (60 Hz) |
| Maximum continuous operating voltage U_C | 800 V AC |
| Rated load current I_L | 80 A |
| Short-circuit current rating I_{SCCR} | 25 kA |
| Max. backup fuse with V-type through wiring | 80 A (gG) |
| Max. backup fuse with branch wiring | 125 A (gG) |

VAL-MS/4+0-BE/FM RN. - Type 2 surge protection base element



2906484

<https://www.phoenixcontact.com/us/products/2906484>

Environmental and real-life conditions

Ambient conditions

| | |
|---|---|
| Degree of protection | IP20 (only when all terminal points are used) |
| Ambient temperature (operation) | -40 °C ... 80 °C |
| Ambient temperature (storage/transport) | -40 °C ... 80 °C |
| Altitude | ≤ 2000 m (amsl) |
| Permissible humidity (operation) | 5 % ... 95 % |
| Shock (operation) | 30g (Half-sine / 11 ms / 3x ±X, ±Y, ±Z) |
| Vibration (operation) | 7.5g (10 ... 500 Hz / 2.5 h / X, Y, Z) |

Approvals

UL specifications

| | |
|-------------------|----------|
| Nominal voltage | 690 V AC |
| Nominal frequency | 50/60 Hz |
| SPD Type | 4CA |

UL indicator/remote signaling

| | |
|----------------------|----------|
| Operating voltage | 125 V AC |
| AC operating current | 1 A AC |

UL connection data

| | |
|-----------------------------|-------------------------|
| Tightening torque | 30 lb _F -in. |
| Conductor cross-section AWG | 14 ... 2 |

Standards and regulations

| | |
|--------------------------|--------------|
| Standards/specifications | IEC 61643-11 |
| Note | 2011 |
| Standards/specifications | EN 61643-11 |
| Note | 2012 |

Mounting

| | |
|---------------|-----------------|
| Mounting type | DIN rail: 35 mm |
|---------------|-----------------|

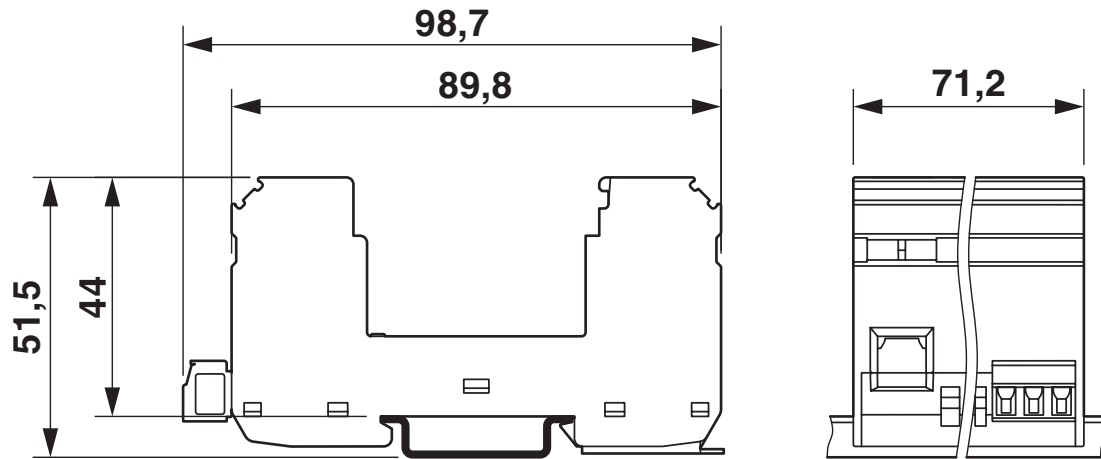
VAL-MS/4+0-BE/FM RN. - Type 2 surge protection base element

2906484

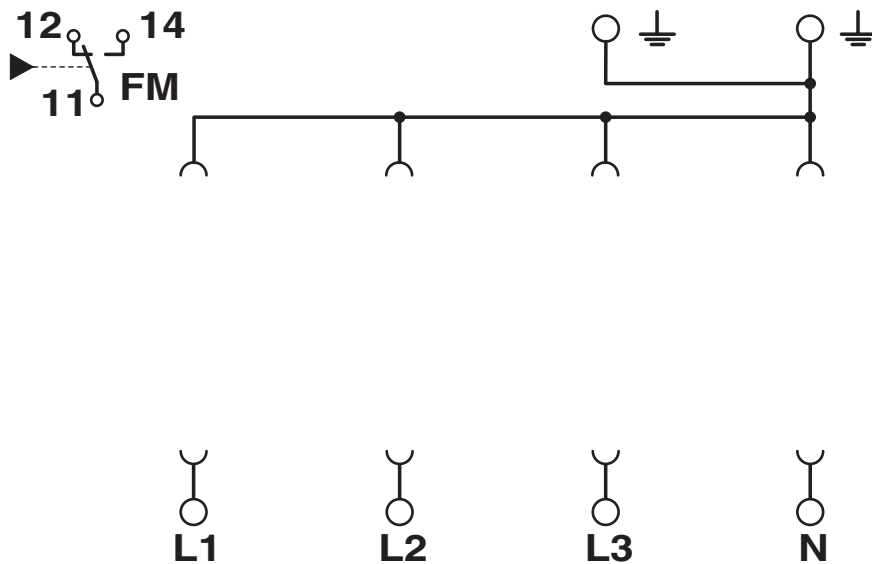
<https://www.phoenixcontact.com/us/products/2906484>

Drawings

Dimensional drawing



Circuit diagram



VAL-MS/4+0-BE/FM RN. - Type 2 surge protection base element



2906484

<https://www.phoenixcontact.com/us/products/2906484>

Approvals

To download certificates, visit the product detail page: <https://www.phoenixcontact.com/us/products/2906484>



cUL Recognized
Approval ID: FILE E 330181



UL Recognized
Approval ID: FILE E 330181

UAE-RoHS

Approval ID: 22-09-51251

VAL-MS/4+0-BE/FM RN. - Type 2 surge protection base element



2906484

<https://www.phoenixcontact.com/us/products/2906484>

Classifications

ECLASS

| | |
|-------------|----------|
| ECLASS-13.0 | 27171292 |
| ECLASS-15.0 | 27171292 |

ETIM

| | |
|-----------|----------|
| ETIM 10.0 | EC002496 |
|-----------|----------|

UNSPSC

| | |
|-------------|----------|
| UNSPSC 21.0 | 39121600 |
|-------------|----------|

VAL-MS/4+0-BE/FM RN. - Type 2 surge protection base element



2906484

<https://www.phoenixcontact.com/us/products/2906484>

Environmental product compliance

EU RoHS

| | |
|---|--------------------|
| Fulfills EU RoHS substance requirements | Yes, No exemptions |
|---|--------------------|

China RoHS

| | |
|--|--|
| Environment friendly use period (EFUP) | EFUP-E |
| | No hazardous substances above the limits |

EU REACH SVHC

| | |
|-------------------------------------|----------------------------|
| REACH candidate substance (CAS No.) | No substance above 0.1 wt% |
|-------------------------------------|----------------------------|

EF3.1 Climate Change

| | |
|---------|---------------|
| CO2e kg | 1.109 kg CO2e |
|---------|---------------|

Phoenix Contact 2026 © - all rights reserved
<https://www.phoenixcontact.com>

Phoenix Contact USA
586 Fulling Mill Road
Middletown, PA 17057, United States
(+717) 944-1300
info@phoenixcon.com