

# PLT-T3-IT-230-P - Type 3 surge protection plug



2906451

<https://www.phoenixcontact.com/us/products/2906451>

Please be informed that the data shown in this PDF document is generated from our online catalog. Please find the complete data in the user documentation. Our general terms of use for downloads are valid.



Replacement plug for device protection in IT systems from the PLUGTRAB product series. 230 V nominal voltage.

## Commercial data

Item number	2906451
Packing unit	1 pc
Minimum order quantity	1 pc
Sales key	CL01
Product key	CL1411
GTIN	4055626077345
Weight per piece (including packing)	40.9 g
Weight per piece (excluding packing)	30.71 g
Customs tariff number	85363010
Country of origin	DE

# PLT-T3-IT-230-P - Type 3 surge protection plug

2906451

<https://www.phoenixcontact.com/us/products/2906451>

## Technical data

### Product properties

Product type	Replacement plug
Product family	PLUGTRAB PT
IEC power supply system	IT
Type	Male

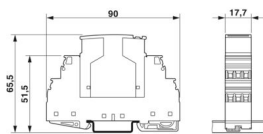
### Insulation characteristics

Overvoltage category	III
Pollution degree	2
IEC test classification	III
	T3
EN type	T3
Number of ports	One

### Connection data

Connection method	pluggable
-------------------	-----------

### Dimensions

Dimensional drawing	
Width	17.7 mm
Height	45 mm
Depth	52 mm

### Material specifications

Color	black (RAL 9005)
Flammability rating according to UL 94	V-0
CTI value of material	600
Insulating material	PA 6.6
Housing material	PA 6.6

### Protective circuit

Mode of protection	L-L
	L-PE
Direction of action	1L-N & N-PE
Nominal voltage $U_N$	230 V AC (IT)
Nominal frequency $f_N$	50 Hz (60 Hz)
Maximum continuous operating voltage $U_C$ (L-L)	275 V AC
Maximum continuous operating voltage $U_C$ (L-N)	275 V AC

# PLT-T3-IT-230-P - Type 3 surge protection plug



2906451

<https://www.phoenixcontact.com/us/products/2906451>

Maximum continuous operating voltage $U_C$ (L-PE)	440 V AC
Rated load current $I_L$	16 A (60 °C)
Protective conductor current $I_{PE}$	$\leq 1 \mu\text{A}$
Standby power consumption $P_C$	$\leq 340 \text{ mVA}$
Reference test voltage $U_{REF}$	255 V AC
Nominal discharge current $I_n$ (8/20) $\mu\text{s}$	3 kA
Maximum discharge current $I_{max}$ (8/20) $\mu\text{s}$	8 kA
Combination wave $U_{OC}$	6 kV
Voltage protection level $U_p$ (L-L)	$\leq 1.2 \text{ kV}$
Voltage protection level $U_p$ (L-N)	$\leq 1.2 \text{ kV}$
Voltage protection level $U_p$ (L-PE)	$\leq 1.5 \text{ kV}$
Residual voltage at $I_{max}$ , (L-PE)	$\leq 1 \text{ kV}$ (at 1 kA) $\leq 1.5 \text{ kV}$ (at $U_{OC}$ )
TOV behavior at $U_T$ (L-PE)	440 V AC (120 min / withstand mode) 1455 V AC (200 ms / safe failure mode)
Response time $t_A$ (L-N)	$\leq 25 \text{ ns}$
Response time $t_A$ (L-PE)	$\leq 100 \text{ ns}$
Max. required back-up fuse	16 A (MCB B)
Short-circuit current rating $I_{SCCR}$	1.5 kA AC
Maximum backup fuse for through wiring	16 A (MCB B)
Max. backup fuse with branch wiring	16 A (MCB B)

## Environmental and real-life conditions

### Ambient conditions

Degree of protection	IP20
Ambient temperature (operation)	-40 °C ... 70 °C
Ambient temperature (storage/transport)	-40 °C ... 70 °C
Altitude	$\leq 2000 \text{ m}$ (amsl)
Permissible humidity (operation)	5 % ... 95 %

## Standards and regulations

Standards/specifications	IEC 61643-11
Note	2011
Standards/specifications	EN 61643-11
Note	2012

## Mounting

Mounting type	on base element
---------------	-----------------

# PLT-T3-IT-230-P - Type 3 surge protection plug

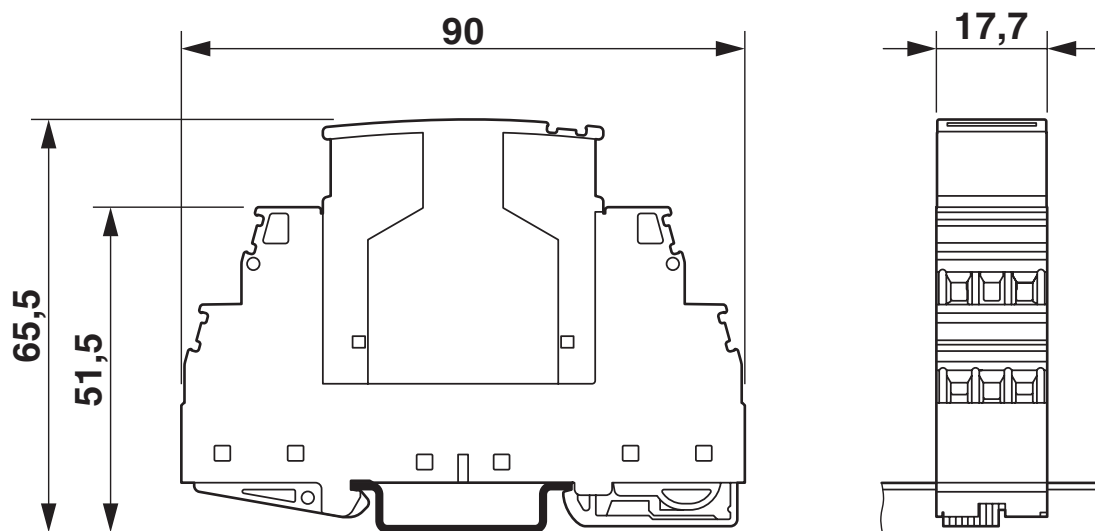
2906451

<https://www.phoenixcontact.com/us/products/2906451>



## Drawings

Dimensional drawing



The figure shows the complete module consisting of a base element and connector

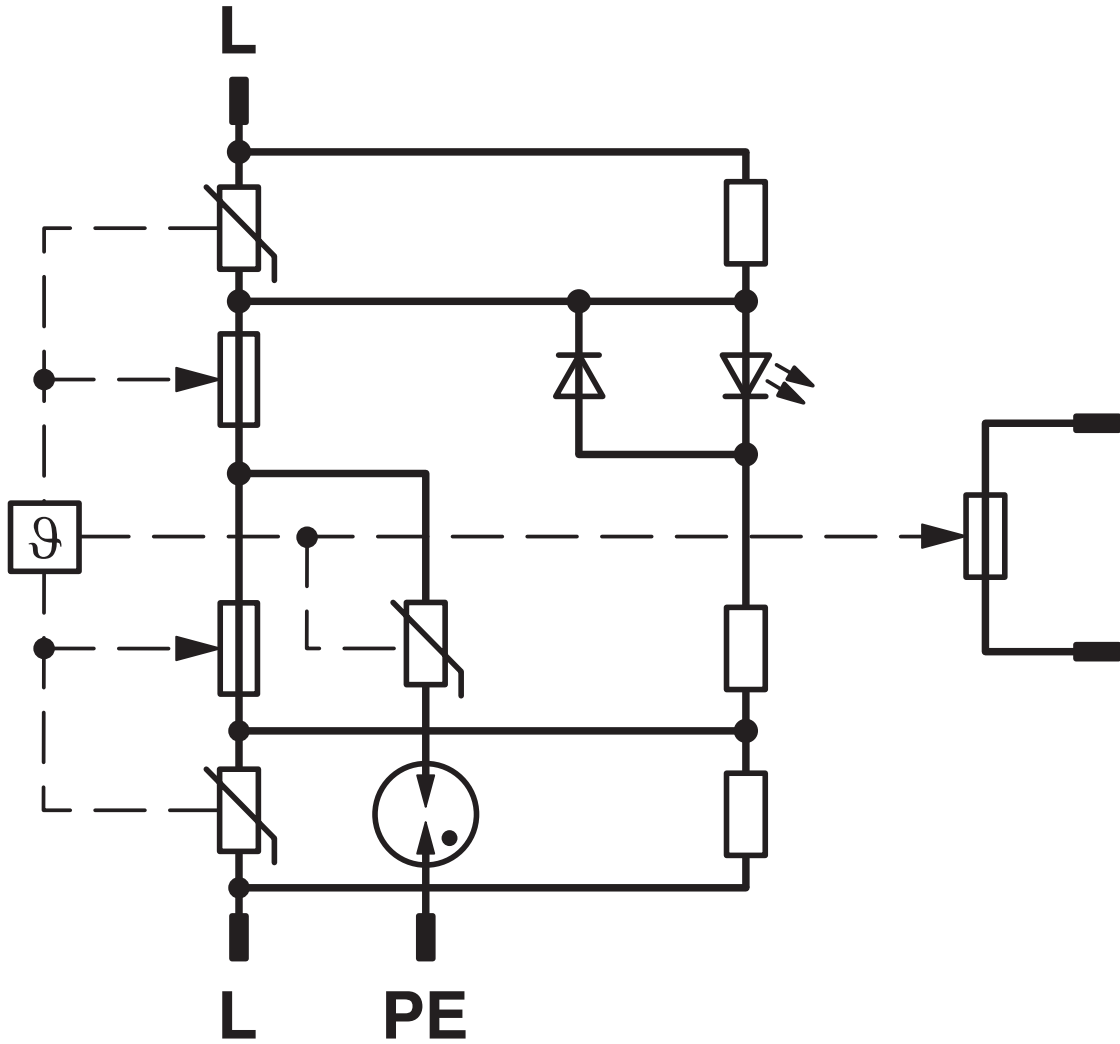
# PLT-T3-IT-230-P - Type 3 surge protection plug

2906451

<https://www.phoenixcontact.com/us/products/2906451>



Circuit diagram



# PLT-T3-IT-230-P - Type 3 surge protection plug



2906451

<https://www.phoenixcontact.com/us/products/2906451>

## Approvals

🔗 To download certificates, visit the product detail page: <https://www.phoenixcontact.com/us/products/2906451>

### UAE-RoHS

Approval ID: 23-10-88890

# PLT-T3-IT-230-P - Type 3 surge protection plug



2906451

<https://www.phoenixcontact.com/us/products/2906451>

## Classifications

### ECLASS

ECLASS-13.0	27171292
ECLASS-15.0	27171292

### ETIM

ETIM 10.0	EC002496
-----------	----------

### UNSPSC

UNSPSC 21.0	39121600
-------------	----------

# PLT-T3-IT-230-P - Type 3 surge protection plug



2906451

<https://www.phoenixcontact.com/us/products/2906451>

## Environmental product compliance

### EU RoHS

Fulfills EU RoHS substance requirements	Yes
Exemption	7(c)-I

### China RoHS

Environment friendly use period (EFUP)	EFUP-50
	An article-related China RoHS declaration table can be found in the download area for the respective article under "Manufacturer declaration". For all articles with EFUP-E, no China RoHS declaration table issued and required.

### EU REACH SVHC

REACH candidate substance (CAS No.)	No substance above 0.1 wt%
-------------------------------------	----------------------------

Phoenix Contact 2026 © - all rights reserved  
<https://www.phoenixcontact.com>

Phoenix Contact USA  
586 Fulling Mill Road  
Middletown, PA 17057, United States  
(+717) 944-1300  
[info@phoenixcon.com](mailto:info@phoenixcon.com)