

PLT-T3-IT-230-FM - Type 3 surge protection device



2906450

<https://www.phoenixcontact.com/us/products/2906450>

Please be informed that the data shown in this PDF document is generated from our online catalog. Please find the complete data in the user documentation. Our general terms of use for downloads are valid.



Surge protection type 3, as device protection for termination devices in IT systems, error indication and remote indicator contact. Design: 230 V AC

Commercial data

Item number	2906450
Packing unit	1 pc
Minimum order quantity	1 pc
Sales key	NULL
Product key	CL1411
GTIN	4055626077338
Weight per piece (including packing)	84 g
Weight per piece (excluding packing)	70.04 g
Customs tariff number	85363010
Country of origin	DE

PLT-T3-IT-230-FM - Type 3 surge protection device



2906450

<https://www.phoenixcontact.com/us/products/2906450>

Technical data

Product properties

Product type	Device protection
Product family	PLUGTRAB PT
IEC power supply system	IT
Type	Base element, DIN rail mounting
Number of positions	2
Surge protection fault message	Optical, remote indicator contact

Insulation characteristics

Overvoltage category	III
Pollution degree	2
IEC test classification	III
	T3
EN type	T3
Number of ports	One

Electrical properties

Indicator/remote signaling

Connection name	Remote fault indicator contact
Switching function	N/C contact
Operating voltage	250 V AC
	125 V DC (200 mA DC)
Operating current	3 A AC
	1 A DC (30 V DC)

Connection data

Connection method	Screw connection
Screw thread	M3
Tightening torque	0.8 Nm
Conductor cross-section flexible	0.2 mm ² ... 2.5 mm ²
Conductor cross-section rigid	0.2 mm ² ... 4 mm ²
Conductor cross-section AWG	24 ... 12

Dimensions

Dimensional drawing	
Width	17.7 mm
Height	90 mm

PLT-T3-IT-230-FM - Type 3 surge protection device



2906450

<https://www.phoenixcontact.com/us/products/2906450>

Depth	65.5 mm
Horizontal pitch	1 Div.

Material specifications

Color	black (RAL 9005)
Flammability rating according to UL 94	V-0
CTI value of material	600
Insulating material	PA 6.6
Housing material	PA 6.6

Protective circuit

Mode of protection	L-L
	L-PE
Direction of action	1L-N & N-PE
Nominal voltage U_N	230 V AC (IT)
Nominal frequency f_N	50 Hz (60 Hz)
Maximum continuous operating voltage U_C (L-L)	275 V AC
Maximum continuous operating voltage U_C (L-N)	275 V AC
Maximum continuous operating voltage U_C (L-PE)	440 V AC
Rated load current I_L	16 A (60 °C)
Protective conductor current I_{PE}	$\leq 1 \mu A$
Standby power consumption P_C	≤ 340 mVA
Reference test voltage U_{REF}	255 V AC
Nominal discharge current I_n (8/20) μs	3 kA
Maximum discharge current I_{max} (8/20) μs	8 kA
Combination wave U_{OC}	6 kV
Voltage protection level U_p (L-L)	≤ 1.2 kV
Voltage protection level U_p (L-N)	≤ 1.2 kV
Voltage protection level U_p (L-PE)	≤ 1.5 kV
Residual voltage at I_{max} , (L-PE)	≤ 1 kV (at 1 kA)
	≤ 1.5 kV (at U_{OC})
TOV behavior at U_T (L-PE)	440 V AC (120 min / withstand mode)
	1455 V AC (200 ms / safe failure mode)
Response time t_A (L-N)	≤ 25 ns
Response time t_A (L-PE)	≤ 100 ns
Max. required back-up fuse	16 A (MCB B)
Short-circuit current rating I_{SCCR}	1.5 kA AC
Maximum backup fuse for through wiring	16 A (MCB B)
Max. backup fuse with branch wiring	16 A (MCB B)

Environmental and real-life conditions

Ambient conditions

Degree of protection	IP20
Ambient temperature (operation)	-40 °C ... 70 °C

PLT-T3-IT-230-FM - Type 3 surge protection device



2906450

<https://www.phoenixcontact.com/us/products/2906450>

Ambient temperature (storage/transport)	-40 °C ... 70 °C
Altitude	≤ 2000 m (amsl)
Permissible humidity (operation)	5 % ... 95 %

Standards and regulations

Standards/specifications	IEC 61643-11
Note	2011
Standards/specifications	EN 61643-11
Note	2012

Mounting

Mounting type	DIN rail: 35 mm
---------------	-----------------

PLT-T3-IT-230-FM - Type 3 surge protection device



2906450

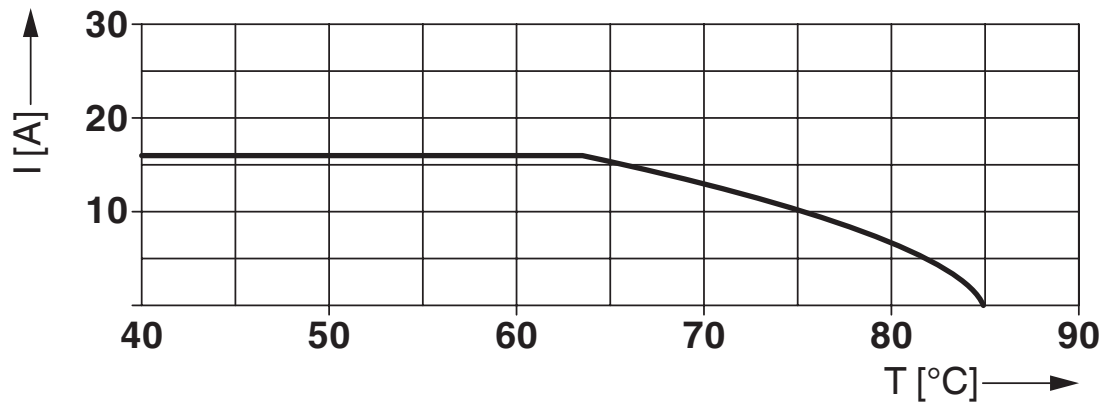
<https://www.phoenixcontact.com/us/products/2906450>

Drawings

Dimensional drawing



Diagram



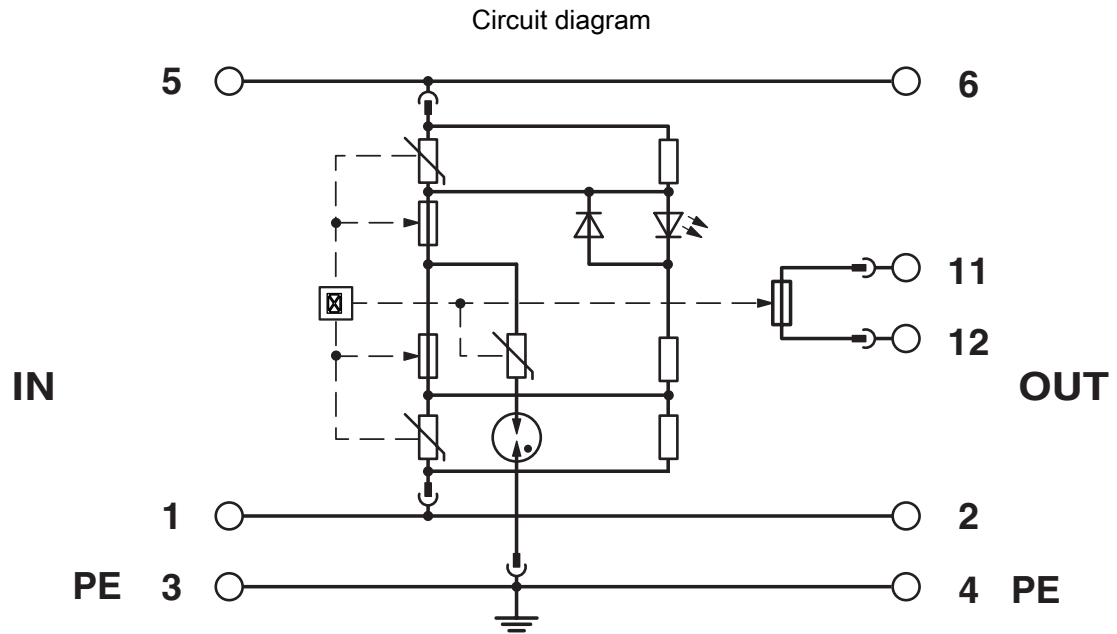
Nominal current depending on ambient temperature

PLT-T3-IT-230-FM - Type 3 surge protection device



2906450

<https://www.phoenixcontact.com/us/products/2906450>



PLT-T3-IT-230-FM - Type 3 surge protection device



2906450

<https://www.phoenixcontact.com/us/products/2906450>

Approvals

To download certificates, visit the product detail page: <https://www.phoenixcontact.com/us/products/2906450>

UAE-RoHS

Approval ID: 23-10-88890

PLT-T3-IT-230-FM - Type 3 surge protection device



2906450

<https://www.phoenixcontact.com/us/products/2906450>

Classifications

ECLASS

ECLASS-13.0	27171203
ECLASS-15.0	27171203

ETIM

ETIM 10.0	EC000942
-----------	----------

UNSPSC

UNSPSC 21.0	39121600
-------------	----------

PLT-T3-IT-230-FM - Type 3 surge protection device



2906450

<https://www.phoenixcontact.com/us/products/2906450>

Environmental product compliance

EU RoHS

Fulfills EU RoHS substance requirements	Yes
Exemption	7(c)-I

China RoHS

Environment friendly use period (EFUP)	EFUP-50
	An article-related China RoHS declaration table can be found in the download area for the respective article under "Manufacturer declaration". For all articles with EFUP-E, no China RoHS declaration table issued and required.

EU REACH SVHC

REACH candidate substance (CAS No.)	No substance above 0.1 wt%
-------------------------------------	----------------------------

Phoenix Contact 2026 © - all rights reserved
<https://www.phoenixcontact.com>

Phoenix Contact USA
586 Fulling Mill Road
Middletown, PA 17057, United States
(+717) 944-1300
info@phoenixcon.com