

MINI MCR-2-RPS-2I-2I-OLP - Repeater power supply



2906448

<https://www.phoenixcontact.com/us/products/2906448>

Please be informed that the data shown in this PDF document is generated from our online catalog. Please find the complete data in the user documentation. Our general terms of use for downloads are valid.



Two-channel output loop-powered 2-way repeater power supply with plug-in connection technology for the electrical isolation of analog signals. Input signal = output signal: 0(4) mA ... 20 mA. Screw connection technology.

Product description

Two-channel output loop-powered 2-way repeater power supply with plug-in connection technology for the electrical isolation and filtering of analog signals. The output loop-powered isolator enables operation at an active analog input card with a supply voltage of 6 V DC ... 30 V DC. The isolator and the connected sensors are supplied via the current loop of the controller. Input signal = output signal: 0(4) mA to 20 mA. The measuring transducer supports NFC communication.

Commercial data

Item number	2906448
Packing unit	1 pc
Minimum order quantity	1 pc
Sales key	C404
Product key	DK1121
GTIN	4055626077949
Weight per piece (including packing)	124 g
Weight per piece (excluding packing)	108.9 g
Customs tariff number	85437090
Country of origin	DE

MINI MCR-2-RPS-2I-2I-OLP - Repeater power supply



2906448

<https://www.phoenixcontact.com/us/products/2906448>

Technical data

Notes

Utilization restriction

EMC note	EMC: class A product, see manufacturer's declaration in the download area
----------	---------------------------------------------------------------------------

Product properties

Product type	Repeater power supply
Product family	MINI Analog Pro
No. of channels	2

Electrical properties

Electrical isolation	2-way isolation
Electrical isolation between input and output	yes
Limit frequency (3 dB)	100 Hz
Signal transmission behavior	In = Out
Maximum temperature coefficient	≤ 0.001 %/K
Maximum transmission error	≤ 0.1 % (At 5 V)

Electrical isolation

Overvoltage category	II
Pollution degree	2

Electrical isolation Input/output/power supply IEC/EN 61010-1

Standards/regulations	IEC/EN 61010-1
Rated insulation voltage	300 V _{rms}
Test voltage	3 kV AC (50 Hz, 60 s)
Insulation	Reinforced insulation

Supply

Supply voltage range	8 V DC ... 30 V DC (loop-powered, no external supply necessary)
Power consumption	600 mW (25 mA)

Input data

Signal: Current

Number of inputs	2
Configurable/programmable	no
Current input signal	0 mA ... 20 mA 4 mA ... 20 mA
Voltage dissipation	3.1 V (I = 20 mA)
Transmitter supply voltage	U _A - 5 V
Additional error, depending on the input voltage	(U _A - 5 V) x 0.06 %

MINI MCR-2-RPS-2I-2I-OLP - Repeater power supply

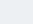


2906448

<https://www.phoenixcontact.com/us/products/2906448>

Output data

Signal: Current

Number of outputs	2
Configurable/programmable	no
Current output signal	0 mA ... 20 mA 4 mA ... 20 mA
Response current	≈  μA
Voltage dissipation	3.1 V (I = 20 mA)
Load/output load current output	600 Ω

Connection data

Connection method	Screw connection
Stripping length	10 mm
Screw thread	M3
Conductor cross-section rigid	0.2 mm ² ... 1.5 mm ² (with ferrule) 0.14 mm ² ... 2.5 mm ² (without ferrule)
Conductor cross-section flexible	0.14 mm ² ... 2.5 mm ²
Conductor cross-section AWG	24 ... 12 (flexible)
Tightening torque	0.5 Nm ... 0.6 Nm

Ex data

Ex installation (EPL)	Gc Div. 2
-----------------------	--------------

Dimensions

Width	6.2 mm
Height	109.81 mm
Depth	119.2 mm

Material specifications

Color	gray (RAL 7042)
Housing material	PBT
Fire protection for rail vehicles (DIN EN 45545-2) R22	HL 1 - HL 2
Fire protection for rail vehicles (DIN EN 45545-2) R23	HL 1 - HL 2
Fire protection for rail vehicles (DIN EN 45545-2) R24	HL 1 - HL 2

Environmental and real-life conditions

Ambient conditions

Degree of protection	IP20 (not assessed by UL)
Ambient temperature (operation)	-40 °C ... 70 °C
Ambient temperature (storage/transport)	-40 °C ... 85 °C
Altitude	≤ 2000 m
Permissible humidity (operation)	5 % ... 95 % (non-condensing)

MINI MCR-2-RPS-2I-2I-OLP - Repeater power supply



2906448

<https://www.phoenixcontact.com/us/products/2906448>

Approvals

CE

Certificate	CE-compliant
-------------	--------------

ATEX

Identification	Ⓜ II 3 G Ex ec IIC T4 Gc
Certificate	BVS 19 ATEX E 079 X

IECEX

Identification	Ex ec IIC T4 Gc
Certificate	IECEX BVS 19.0068X

CCC / China-Ex

Identification	Ex ec IIC T4 Gc
----------------	-----------------

UL, USA/Canada

Identification	UL 508 Listed
	Class I, Div. 2, Groups A, B, C, D T6
	Class I, Zone 2, Group IIC T6

EAC Ex

Identification	Ⓜ Ex ec IIC T4 Gc
Certificate	BY/112 02.01 TP012 103.01 00081

EMC data

Electromagnetic compatibility	Conformance with EMC directive
Noise immunity	EN 61000-6-2
Note	When being exposed to interference, there may be minimal deviations.

Noise emission

Standards/regulations	EN 61000-6-4
-----------------------	--------------

Standards and regulations

Electrical isolation	2-way isolation
----------------------	-----------------

GB Standard

Standards/regulations	GB/T 3836.1
	GB/T 3836.3

Mounting

Mounting type	DIN rail mounting
Mounting position	any

MINI MCR-2-RPS-2I-2I-OLP - Repeater power supply

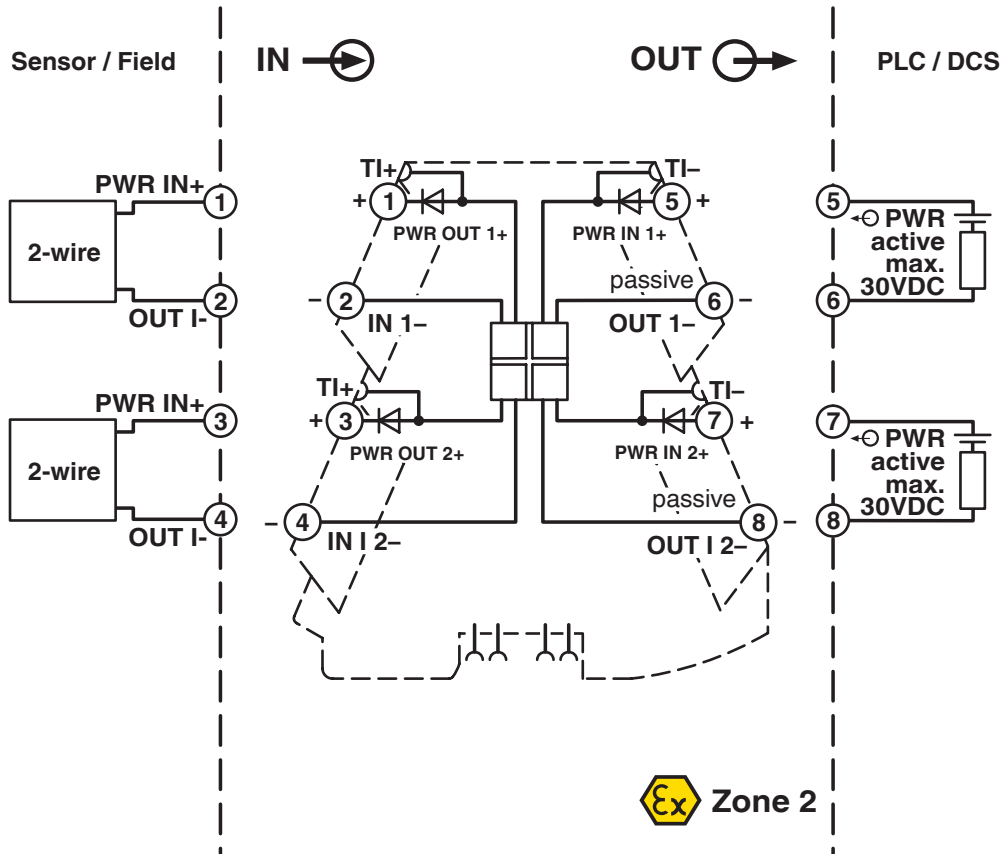


2906448

<https://www.phoenixcontact.com/us/products/2906448>

Drawings

Block diagram



MINI MCR-2-RPS-2I-2I-OLP - Repeater power supply



2906448

<https://www.phoenixcontact.com/us/products/2906448>

Approvals

To download certificates, visit the product detail page: <https://www.phoenixcontact.com/us/products/2906448>



EAC

Approval ID: RU*DE.*08.B.01608/19



UL Listed

Approval ID: E238705



cUL Listed

Approval ID: E238705



IECEx

Approval ID: IECEx BVS 19.0068X



cUL Listed

Approval ID: FILE E 196811



UL Listed

Approval ID: E196811



ATEX

Approval ID: BVS 19 ATEX E 079 X



EAC Ex

Approval ID: TR TS_S_103.01.00081



CCC

Approval ID: 2021122303114156

MINI MCR-2-RPS-2I-2I-OLP - Repeater power supply



2906448

<https://www.phoenixcontact.com/us/products/2906448>

Classifications

ECLASS

ECLASS-13.0	27210120
ECLASS-15.0	27210120

ETIM

ETIM 10.0	EC002653
-----------	----------

UNSPSC

UNSPSC 21.0	39121000
-------------	----------

2906448

<https://www.phoenixcontact.com/us/products/2906448>

Environmental product compliance

EU RoHS

Fulfills EU RoHS substance requirements	Yes
Exemption	7(a), 7(c)-I

China RoHS

Environment friendly use period (EFUP)	EFUP-50
	An article-related China RoHS declaration table can be found in the download area for the respective article under "Manufacturer declaration". For all articles with EFUP-E, no China RoHS declaration table issued and required.

EU REACH SVHC

REACH candidate substance (CAS No.)	Lead(CAS: 7439-92-1)
SCIP	bc38971e-803b-4956-8793-613bb2a9b39e

Phoenix Contact 2026 © - all rights reserved

<https://www.phoenixcontact.com>

Phoenix Contact USA
586 Fulling Mill Road
Middletown, PA 17057, United States
(+717) 944-1300
info@phoenixcon.com