

UM 108-PROFIL 200CM - Profile

2906212

<https://www.phoenixcontact.com/us/products/2906212>

Please be informed that the data shown in this PDF document is generated from our online catalog. Please find the complete data in the user documentation. Our general terms of use for downloads are valid.

Drawn section panel mounting base, with a constructional width of 108 mm and a fixed length of 200 cm



The figure shows the variant UM 45-Profil CM

Your advantages

- Easy installation
- Flexible size and shape
- Inexpensive as a result of reducing the number of separate housing parts

Commercial data

| | |
|--------------------------------------|---------------|
| Item number | 2906212 |
| Packing unit | 1 pc |
| Minimum order quantity | 1 pc |
| Sales key | AC13 |
| Product key | ACHDBA |
| GTIN | 4017918277420 |
| Weight per piece (including packing) | 1.1 kg |
| Weight per piece (excluding packing) | 1.1 kg |
| Customs tariff number | 39162000 |
| Country of origin | DE |

UM 108-PROFIL 200CM - Profile

2906212

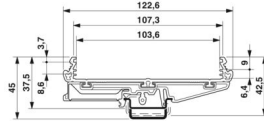
<https://www.phoenixcontact.com/us/products/2906212>

Technical data

Product properties

| | |
|------------------------------|------------------------------|
| Product type | Component housing lower part |
| Housing type | Press-drawn section housings |
| Housing type | Extruded profile housings |
| Housing series | UM |
| Product family | UM108 |
| Ventilation openings present | no |

Dimensions

| | |
|---------------------|--|
| Dimensional drawing |  |
| Depth | 21.5 mm |
| Length | 200 cm |

External dimensions

| | |
|--------------------------|----------|
| Profile width (external) | 107.5 mm |
|--------------------------|----------|

Internal dimensions

| | |
|--------------------------|----------|
| Profile width (internal) | 122.6 mm |
|--------------------------|----------|

PCB design

| | |
|---------------|-------------------|
| PCB thickness | 1.4 mm ... 1.8 mm |
|---------------|-------------------|

Material specifications

| | |
|------------------|------------------|
| Color (Profile) | green (RAL 6021) |
| Material Profile | PVC |

Environmental and real-life conditions

Ambient conditions

| | |
|---|---|
| Ambient temperature (operation) | -15 °C ... 50 °C (depending on power dissipation) |
| Ambient temperature (storage/transport) | -40 °C ... 50 °C |
| Ambient temperature (assembly) | -5 °C ... 50 °C |
| Relative humidity (storage/transport) | 95 % |

PCB data

| | |
|-----------------------|-------------------|
| Number of PCB holders | 2 |
| Thickness of the PCB | 1.4 mm ... 1.8 mm |

Mounting

| | |
|---------------|---|
| Mounting type | Latching with side elements, latching with foot element |
|---------------|---|

UM 108-PROFIL 200CM - Profile



2906212

<https://www.phoenixcontact.com/us/products/2906212>

| | |
|-------------------|--------------------------|
| Mounting position | parallel to the DIN rail |
|-------------------|--------------------------|

Packaging specifications

| | |
|----------------------|---------------------|
| Type of packaging | packed in cardboard |
| Outer packaging type | Carton |

UM 108-PROFIL 200CM - Profile

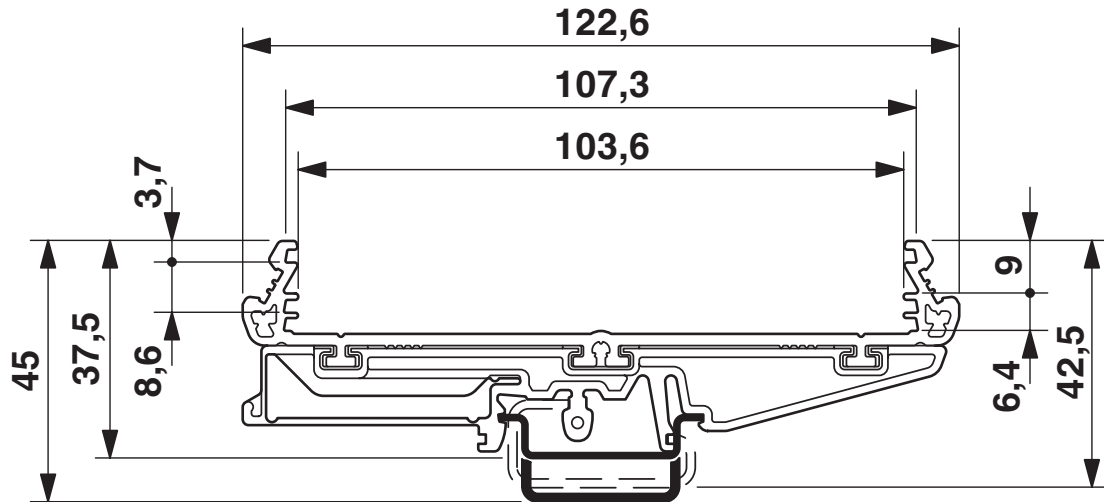


2906212

<https://www.phoenixcontact.com/us/products/2906212>

Drawings

Dimensional drawing



UM 108-PROFIL 200CM - Profile



2906212

<https://www.phoenixcontact.com/us/products/2906212>

Classifications

ECLASS

| | |
|-------------|----------|
| ECLASS-13.0 | 27190601 |
| ECLASS-15.0 | 27190601 |

ETIM

| | |
|-----------|----------|
| ETIM 10.0 | EC002779 |
|-----------|----------|

UNSPSC

| | |
|-------------|----------|
| UNSPSC 21.0 | 31261500 |
|-------------|----------|

UM 108-PROFIL 200CM - Profile



2906212

<https://www.phoenixcontact.com/us/products/2906212>

Environmental product compliance

EU RoHS

| | |
|---|--------------------|
| Fulfills EU RoHS substance requirements | Yes, No exemptions |
|---|--------------------|

China RoHS

| | |
|--|--|
| Environment friendly use period (EFUP) | EFUP-E |
| | No hazardous substances above the limits |

EU REACH SVHC

| | |
|-------------------------------------|----------------------------|
| REACH candidate substance (CAS No.) | No substance above 0.1 wt% |
|-------------------------------------|----------------------------|

Phoenix Contact 2026 © - all rights reserved
<https://www.phoenixcontact.com>

Phoenix Contact USA
586 Fulling Mill Road
Middletown, PA 17057, United States
(+717) 944-1300
info@phoenixcon.com