

MACX MCR-SL-UI-REL - Limit value switch



2906169

<https://www.phoenixcontact.com/us/products/2906169>

Please be informed that the data shown in this PDF document is generated from our online catalog. Please find the complete data in the user documentation. Our general terms of use for downloads are valid.



Limit value switch with input for active current and voltage signals and a limit-value relay output (changeover contact). Can be set via DIP switch and potentiometer, galvanic 3-way electrical isolation, up to SIL2 (SC3), PLc Cat.1, screw connection.

Commercial data

Item number	2906169
Packing unit	1 pc
Minimum order quantity	1 pc
Sales key	C402
Product key	DK1117
GTIN	4055626043760
Weight per piece (including packing)	255 g
Weight per piece (excluding packing)	250 g
Customs tariff number	85437090
Country of origin	DE

MACX MCR-SL-UI-REL - Limit value switch



2906169

<https://www.phoenixcontact.com/us/products/2906169>

Technical data

Product properties

Product type	Limit value switch
Product family	MACX Analog
Configuration	DIP switches

System properties

Functionality

Configuration	DIP switches
---------------	--------------

Electrical properties

Electrical isolation	3-way isolation
Electrical isolation between input and output	yes
Switching point accuracy	< 0.1 %
Step response (0–99%)	≤ 22 ms
Maximum temperature coefficient	0.01 %/K
Maximum transmission error	0.1 %

Electrical isolation

Test voltage	2.5 kV AC (50 Hz, 60 s)
Overvoltage category	II
Pollution degree	2

Electrical isolation Output/supply IEC/EN 60079-7

Standards/regulations	IEC/EN 60079-7
Rated insulation voltage	250 V AC

Electrical isolation Input/output/power supply IEC/EN 61010-1

Standards/regulations	IEC/EN 61010-1
Rated insulation voltage	300 V AC
Insulation	Safe isolation

Electrical isolation Input/output, power supply IEC/EN 60079-7

Standards/regulations	IEC/EN 60079-7
Rated insulation voltage	375 V AC

Supply

Nominal supply voltage range	12 V DC ... 24 V DC -20 % ... +25 %
Supply voltage range	9.6 V DC ... 30 V DC
Typical current consumption	38 mA (24 V DC)
Max. current consumption	90 mA (10 V DC)
Power dissipation	< 0.9 W
Power consumption	≤ 1.2 W

Input data

Signal: Voltage/current

Voltage input signal	0.1 V ... 10 V
	0.1 V ... 10.5 V (Maximum range)
Total error of the voltage input maximum	± 10 mV
Current input signal	0.2 mA ... 20 mA
	0.18 mA ... 21 mA (Maximum range)
Total error of the current input maximum	± 20 µA
Input resistance of voltage input	> 100 kΩ
Input resistance current input	< 28 Ω
Switching threshold "0" signal current	Configurable via DIP switch (in 1.25% increments) and potentiometer (linearly up to 2% of the switching threshold set via the DIP switch)
Switching hysteresis	off: approx. 0.5 %, on: approx. 1 %
Line fault detection	< 0.1 mA (Line break)
	> 21.1 mA (Short circuit)

Output data

Switching: Relay

Contact switching type	1 changeover contact
Contact material	AgSnO ₂ , hard gold-plated
Max. switching current	≤ 4 A AC (cos phi = 1)
	≤ 1 A DC (ohmic load, 24 V DC, 50 mW)
	≤ 0.2 A DC (ohmic load, 120 V DC)

Connection data

Connection method	Screw connection
Stripping length	7 mm
Screw thread	M3
Conductor cross-section rigid	0.2 mm ² ... 2.5 mm ²
Conductor cross-section flexible	0.2 mm ² ... 2.5 mm ²
Conductor cross-section AWG	24 ... 14
Tightening torque	0.5 Nm ... 0.6 Nm

Test socket

Max. diameter	2 mm
---------------	------

Ex data

Ex installation (EPL)	Gc
	Div. 2

Signaling

Status display	Green LED (supply voltage)
	Yellow LED (switching output)

MACX MCR-SL-UI-REL - Limit value switch



2906169

<https://www.phoenixcontact.com/us/products/2906169>

Red LED, flashing (line, sensor error, ERR)

Dimensions

Dimensional drawing	
Width	12.5 mm
Height	112.5 mm
Depth	113.7 mm
Depth NS 35/7,5	114.5 mm (Snapped onto DIN rail NS 35/7,5 in accordance with EN 60715)

Material specifications

Color	gray (RAL 7042)
Flammability rating according to UL 94 (Housing)	V0 (Housing)
Housing material	PA 6.6-FR

Environmental and real-life conditions

Ambient conditions

Degree of protection	IP20
Ambient temperature (operation)	-20 °C ... 65 °C (Any mounting position)
Ambient temperature (storage/transport)	-40 °C ... 85 °C
Altitude	≤ 2000 m
Permissible humidity (operation)	5 % ... 95 % (non-condensing)

Approvals

CE

Certificate	CE-compliant
Note	and EN 61326

ATEX

Identification	⊕ II 3G Ex ec nC IIC T4 Gc
Certificate	TÜV 18 ATEX 8222 X

IECEX

Identification	Ex ec nC IIC T4 Gc
Certificate	IECEX TUR 18.0014X

CCC / China-Ex

Identification	Ex ec nC IIC T4 Gc
Certificate	2022122304115959

MACX MCR-SL-UI-REL - Limit value switch



2906169

<https://www.phoenixcontact.com/us/products/2906169>

UL, USA/Canada

Identification	UL 61010 Listed
	Class I, Div. 2, Groups A, B, C, D T4
	Class I, Zone 2, Group IIC T4

Shipbuilding approval

Certificate	DNV GL TAA000020C
-------------	-------------------

Safety Integrity Level (SIL, IEC 61508)

Identification	2
Certificate	TÜV Rheinland 968/FSP 1481.01/23

Systematic Capability

Identification	3
----------------	---

Performance Level (ISO 13849)

Identification	c
----------------	---

INMETRO

Identification	Ex ec nC IIC T4 Gc
Certificate	DNV 21.0089 X

Shipbuilding data

Temperature	B
Humidity	B
Vibration	A
EMC	A
Enclosure	Required protection according to the Rules shall be provided upon installation on board

EMC data

Electromagnetic compatibility	Conformance with EMC directive
Noise immunity	EN 61000-6-2
Note	When being exposed to interference, there may be minimal deviations.

Noise emission

Standards/regulations	EN 61000-6-4
-----------------------	--------------

Standards and regulations

Electrical isolation	3-way isolation
----------------------	-----------------

GB Standard

Standards/regulations	GB/T 3836.1
	GB/T 3836.3
	GB/T 3836.8

Mounting

MACX MCR-SL-UI-REL - Limit value switch



2906169

<https://www.phoenixcontact.com/us/products/2906169>

Mounting type	DIN rail mounting
---------------	-------------------

MACX MCR-SL-UI-REL - Limit value switch

2906169

<https://www.phoenixcontact.com/us/products/2906169>



Drawings

Dimensional drawing

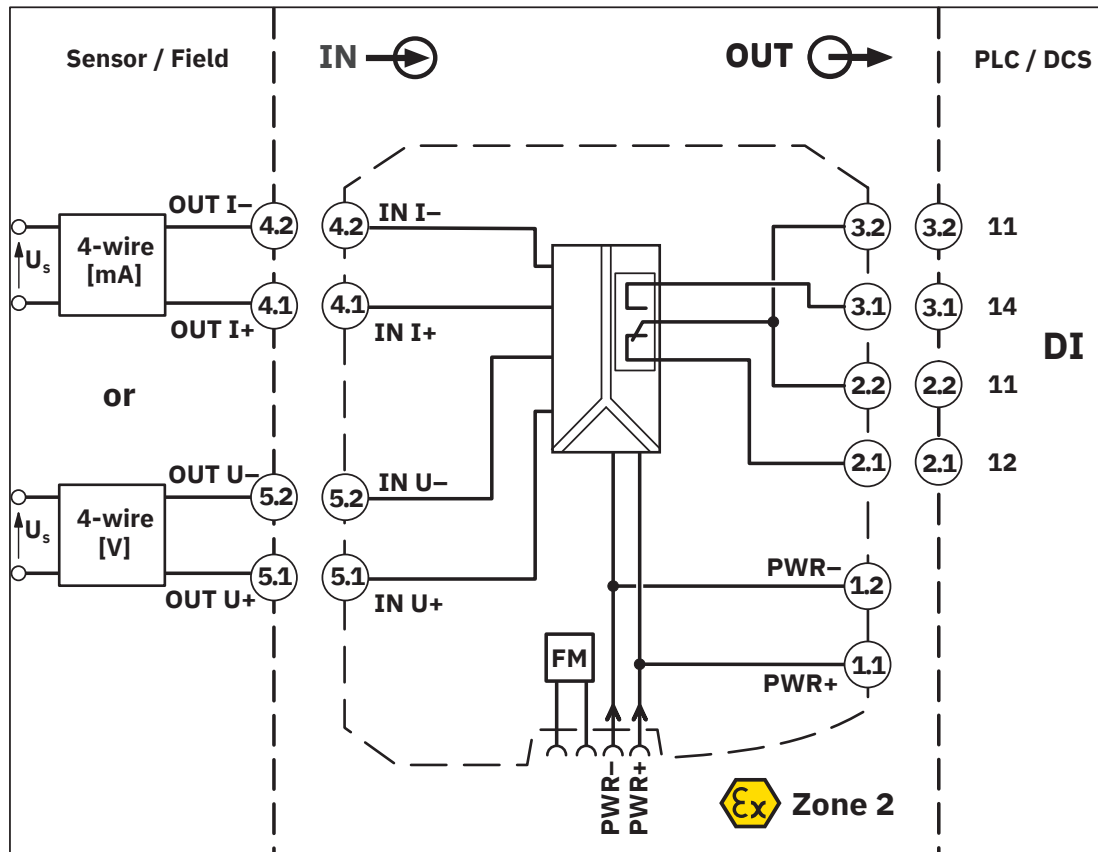


MACX MCR-SL-UI-REL - Limit value switch

2906169

<https://www.phoenixcontact.com/us/products/2906169>

Block diagram



MACX MCR-SL-UI-REL - Limit value switch



2906169

<https://www.phoenixcontact.com/us/products/2906169>

Approvals

To download certificates, visit the product detail page: <https://www.phoenixcontact.com/us/products/2906169>

DNV

Approval ID: TAA000020C



UL Listed

Approval ID: E330267



cUL Listed

Approval ID: FILE E 330267



Functional Safety

Approval ID: 968/FSP 1481.00/17



EAC Ex

Approval ID: RU C-DE.HB49.B.00145



IECEX

Approval ID: IECEX TUR 18.0014X



CCC

Approval ID: 2022122304115959



cUL Listed

Approval ID: E199827



UL Listed

Approval ID: E199827

INMETRO

Approval ID: DNV 21.0089 X



ATEX

Approval ID: TÜV 18 ATEX 8222 X

MACX MCR-SL-UI-REL - Limit value switch



2906169

<https://www.phoenixcontact.com/us/products/2906169>

Classifications

ECLASS

ECLASS-13.0	27210120
ECLASS-15.0	27210120

ETIM

ETIM 10.0	EC002653
-----------	----------

UNSPSC

UNSPSC 21.0	39121000
-------------	----------

MACX MCR-SL-UI-REL - Limit value switch



2906169

<https://www.phoenixcontact.com/us/products/2906169>

Environmental product compliance

EU RoHS

Fulfills EU RoHS substance requirements	Yes
Exemption	6(c), 7(a), 7(c)-I

China RoHS

Environment friendly use period (EFUP)	EFUP-50
	An article-related China RoHS declaration table can be found in the download area for the respective article under "Manufacturer declaration". For all articles with EFUP-E, no China RoHS declaration table issued and required.

EU REACH SVHC

REACH candidate substance (CAS No.)	Lead(CAS: 7439-92-1)
	2,2',6,6'-tetrabromo-4,4'-isopropylidenediphenol(CAS: 79-94-7)
SCIP	d342b0f1-0d46-4e5c-9652-eeab7a56d582

Phoenix Contact 2026 © - all rights reserved
<https://www.phoenixcontact.com>

Phoenix Contact USA
586 Fulling Mill Road
Middletown, PA 17057, United States
(+717) 944-1300
info@phoenixcon.com