

# CM125-LG/H 35/BO/DB/GH BU - Electronics housing



2906157

<https://www.phoenixcontact.com/us/products/2906157>

Please be informed that the data shown in this PDF document is generated from our online catalog. Please find the complete data in the user documentation. Our general terms of use for downloads are valid.



Component housing, Complete housing, with vents, width: 125 mm, depth: 102 mm, color: blue (similar RAL 5015), cross connection: without bus connector, number of positions cross connector: not relevant

The figure shows versions CM 125-LG/H 35/BO/DB/GH in black

## Commercial data

Item number	2906157
Packing unit	5 pc
Minimum order quantity	1 pc
Note	Made to order (non-returnable)
Product key	ACHCDA
GTIN	4017918277390
Weight per piece (including packing)	351.82 g
Weight per piece (excluding packing)	351.82 g
Country of origin	DE

2906157

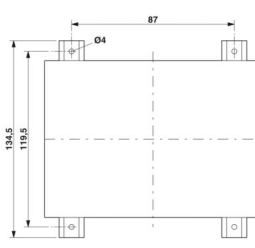
<https://www.phoenixcontact.com/us/products/2906157>

## Technical data

### Product properties

Product type	Complete housing
Housing type	Component housing
Product family	CM LG
Type	Housing closed, ventilation slots

### Dimensions

Dimensional drawing	
Width	125 mm
Depth	102 mm

### Material specifications

Color	blue (RAL 5015)
Flammability rating according to UL 94	V0
Housing material	Polycarbonate fiber reinforced

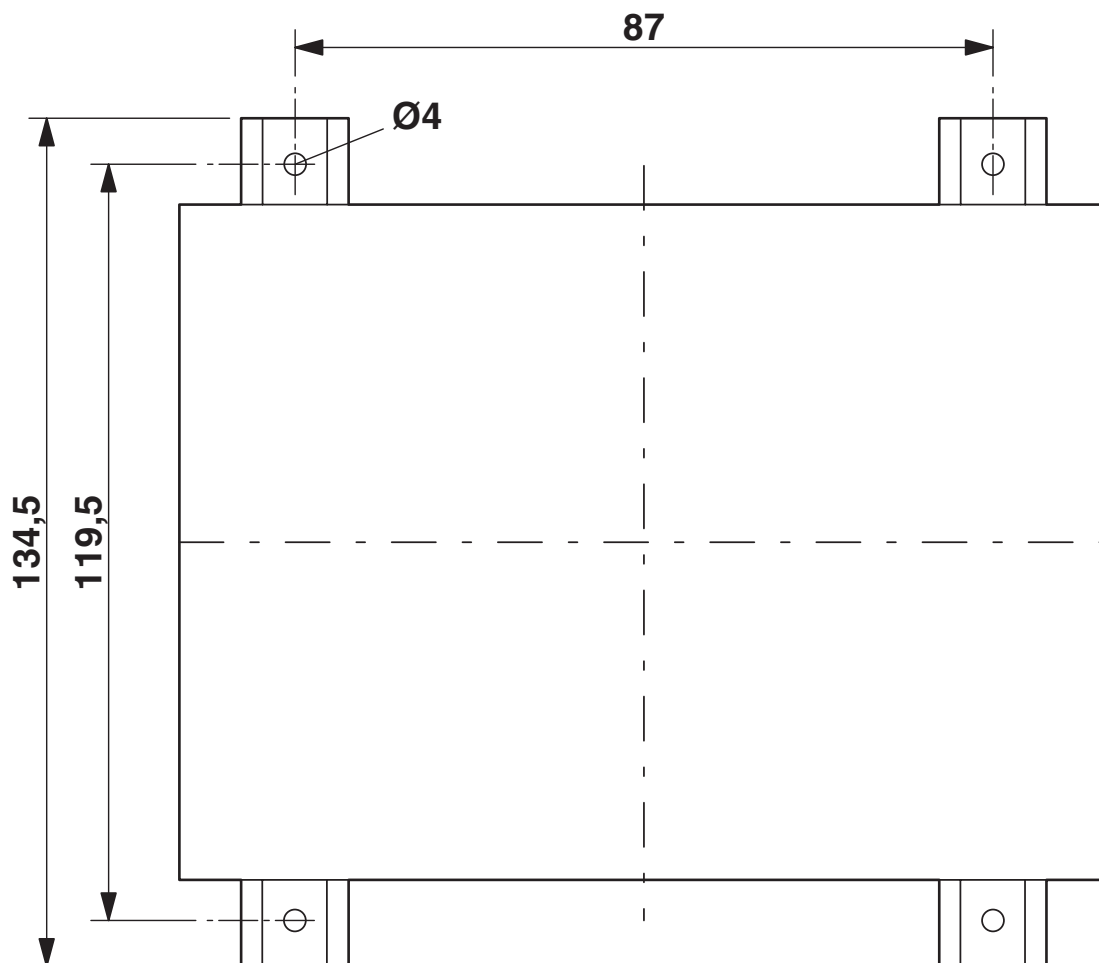
### Environmental and real-life conditions

#### Ambient conditions

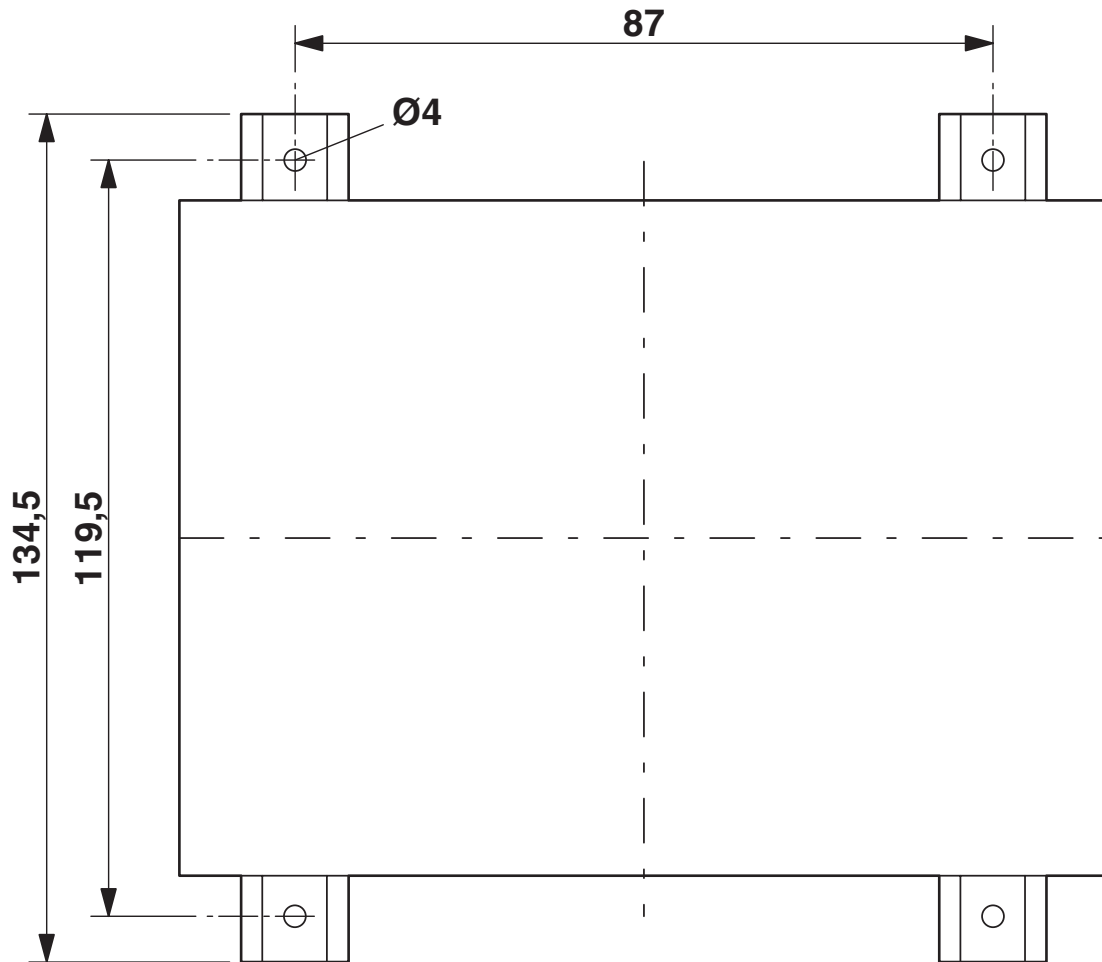
Ambient temperature (operation)	-40 °C ... 125 °C
---------------------------------	-------------------

Drawings

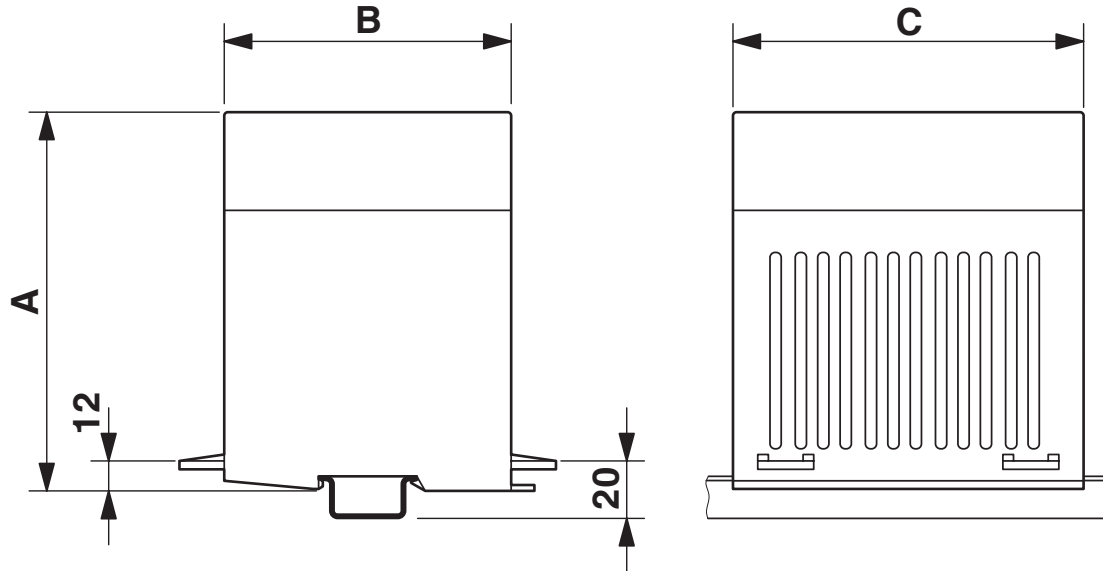
Dimensional drawing



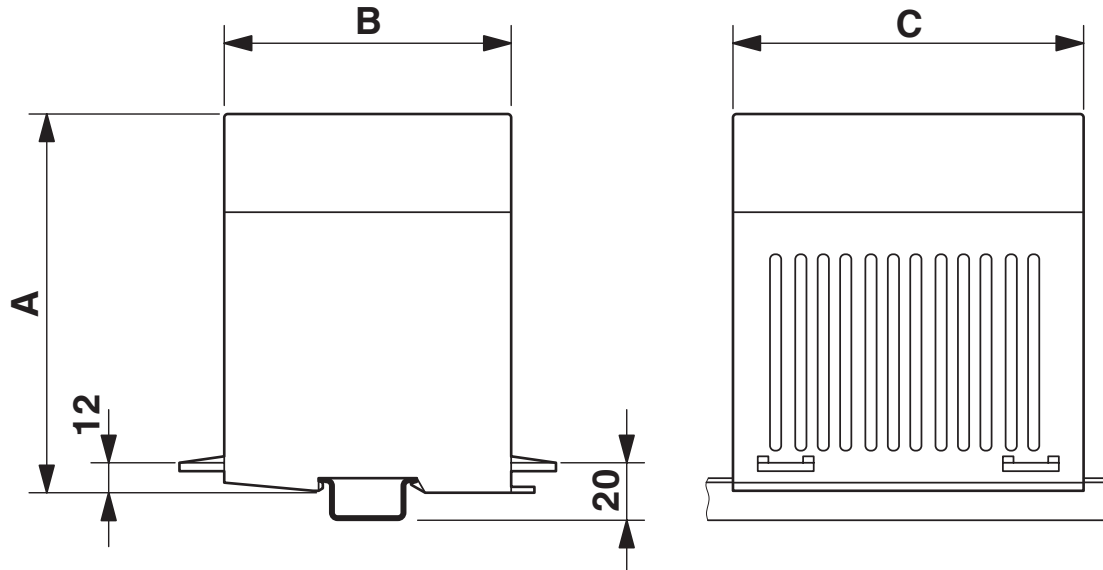
Dimensional drawing



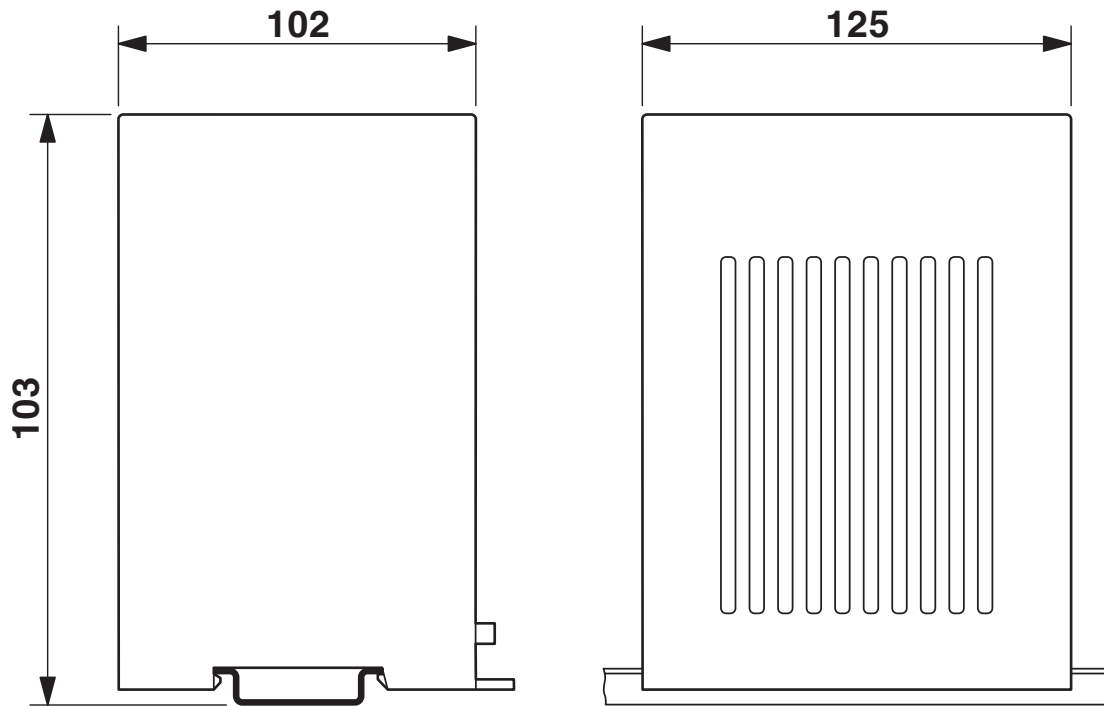
Dimensional drawing

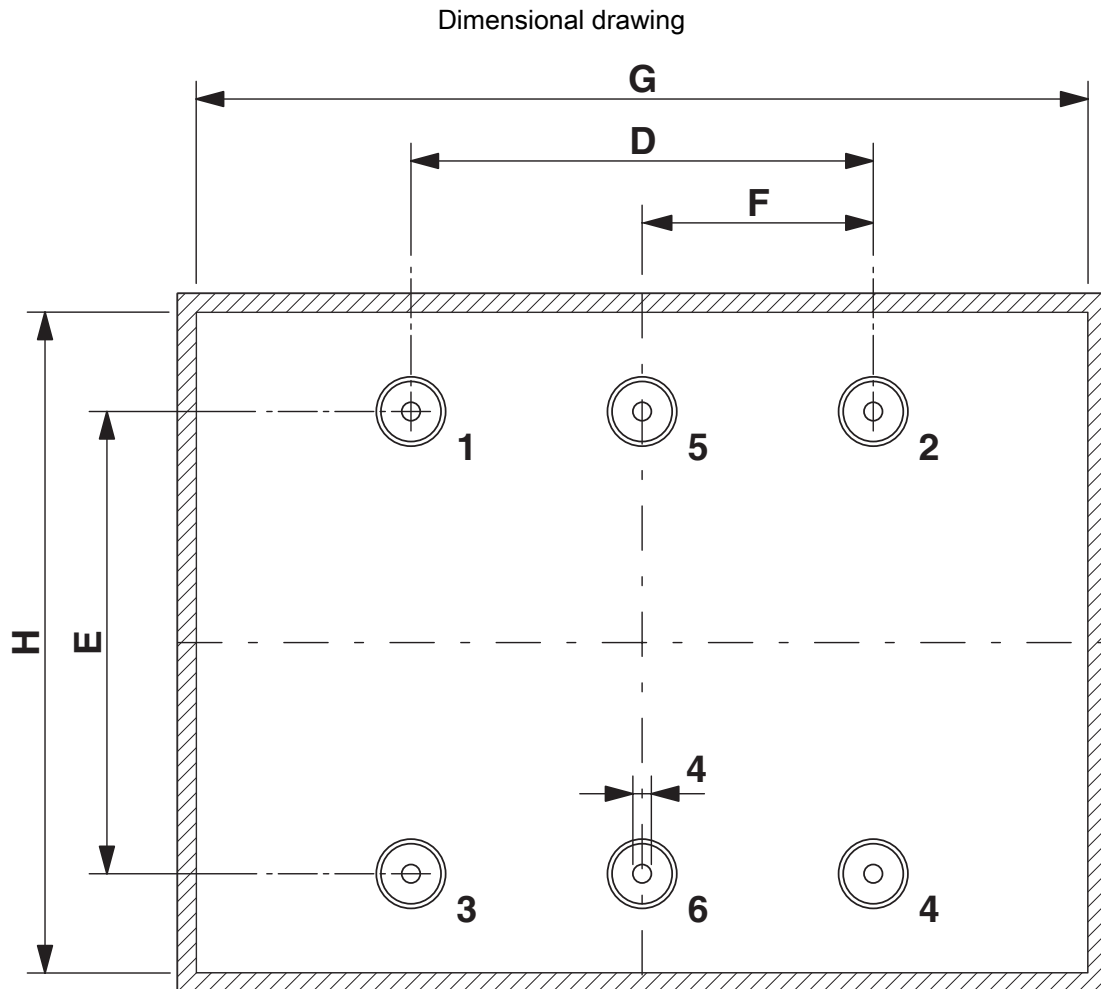


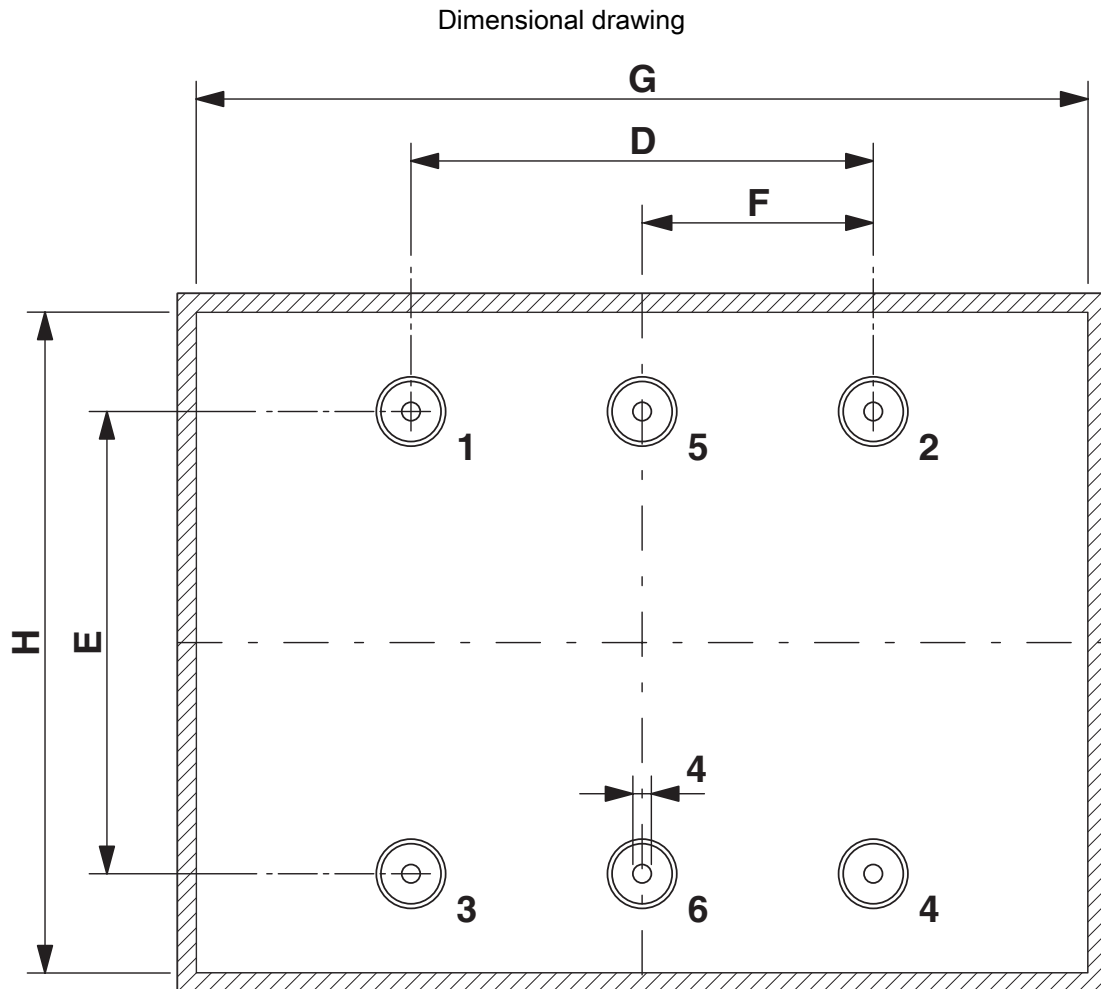
Dimensional drawing



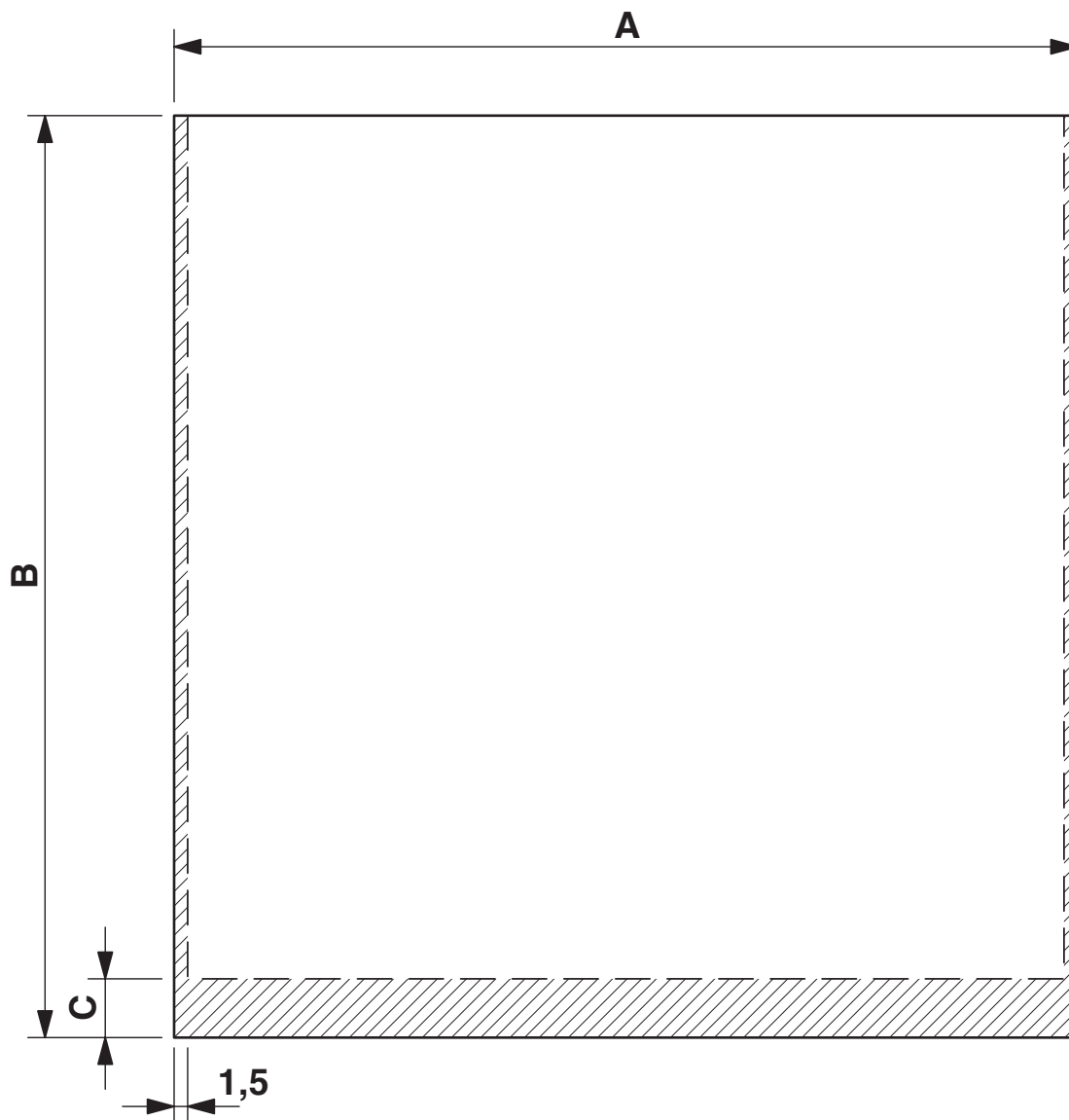
Dimensional drawing



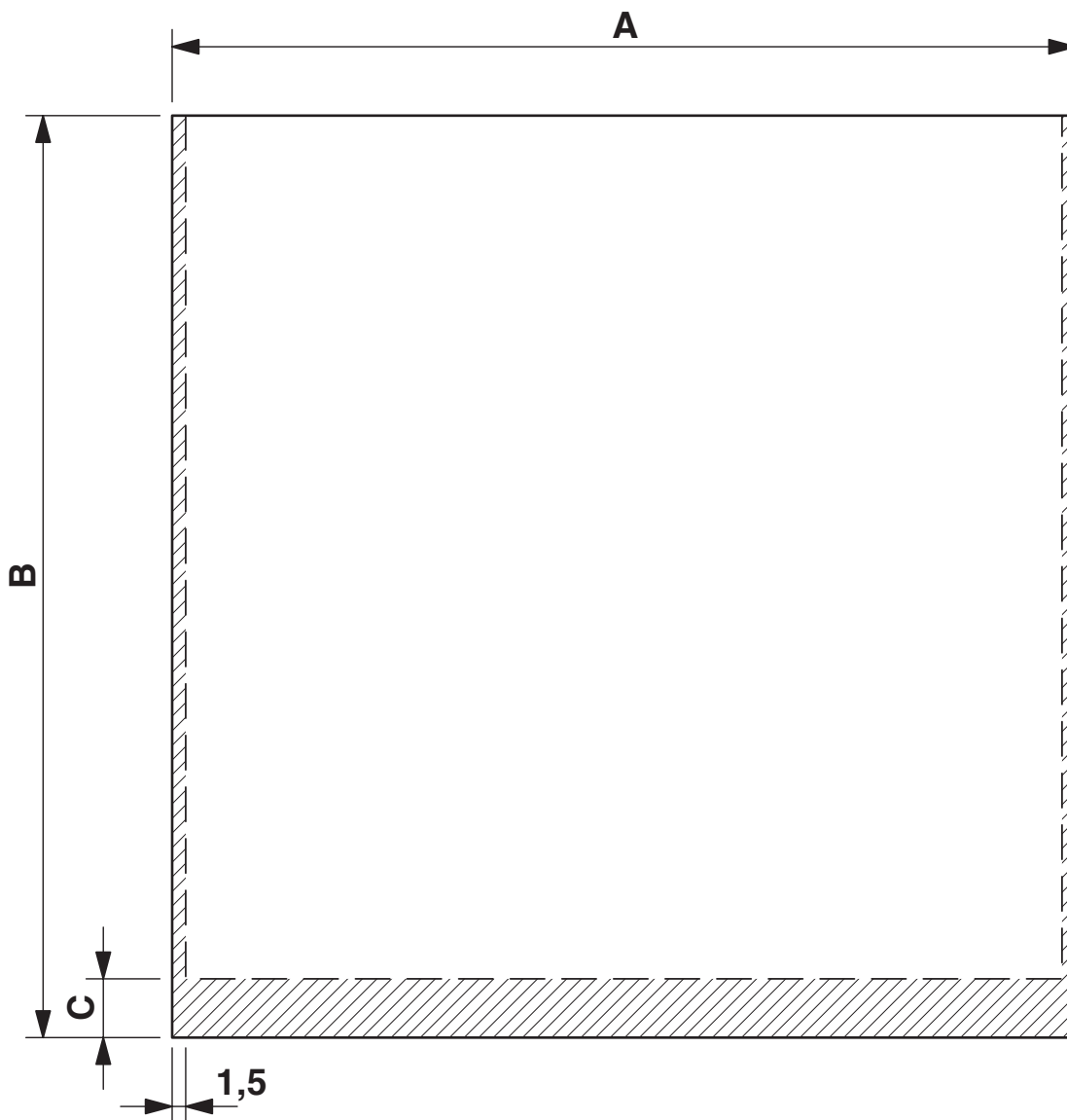




Dimensional drawing



Dimensional drawing



# CM125-LG/H 35/BO/DB/GH BU - Electronics housing



2906157

<https://www.phoenixcontact.com/us/products/2906157>

## Classifications

### UNSPSC

UNSPSC 21.0	31261500
-------------	----------

2906157

<https://www.phoenixcontact.com/us/products/2906157>

## Environmental product compliance

### China RoHS

Environment friendly use period (EFUP)	EFUP-E
	No hazardous substances above the limits

### EU REACH SVHC

REACH candidate substance (CAS No.)	No substance above 0.1 wt%
-------------------------------------	----------------------------

Phoenix Contact 2026 © - all rights reserved  
<https://www.phoenixcontact.com>

Phoenix Contact USA  
586 Fulling Mill Road  
Middletown, PA 17057, United States  
(+717) 944-1300  
[info@phoenixcon.com](mailto:info@phoenixcon.com)