

PLC-BSC-120UC/21/RC/SO46 - Relay base



2906149

<https://www.phoenixcontact.com/us/products/2906149>

Please be informed that the data shown in this PDF document is generated from our online catalog. Please find the complete data in the user documentation. Our general terms of use for downloads are valid.



6.2 mm PLC basic terminal block with protection against interference currents/voltages on the control side, with screw connection, without relay or solid-state relay, for mounting on DIN rail NS 35/7,5, with integrated RCZ filter, 1 changeover contact, input voltage 120 V AC

Your advantages

- Resistant to interference currents
- High relay release voltage

Commercial data

Item number	2906149
Packing unit	10 pc
Minimum order quantity	50 pc
Note	Made to order (non-returnable)
Product key	DK621Y
GTIN	4055626040172
Weight per piece (including packing)	32.04 g
Weight per piece (excluding packing)	32.04 g
Country of origin	DE

PLC-BSC-120UC/21/RC/SO46 - Relay base



2906149

<https://www.phoenixcontact.com/us/products/2906149>

Technical data

Notes

Utilization restriction

EMC note	EMC: class A product, see manufacturer's declaration in the download area
----------	---

Product properties

Product type	Relay socket
Product family	PLC-INTERFACE
Application	Filter to prevent interference
Operating mode	100% operating factor
Compatible components	Miniature relay, REL-MR-60DC/21AU, REL-MR-60DC/21

Insulation characteristics

Overvoltage category	III
Pollution degree	2

Electrical properties

Protective circuit	Bridge rectifier; Bridge rectifier
	RCZ filter; RCZ filter

Input data

Nominal input voltage U_N	120 V AC
	120 V AC

Relay assembly

Nominal input voltage U_N	120 V AC
Input voltage range in reference to U_N	0.8 ... 1.4
Typical input current at U_N	10.5 mA (50 Hz)
	12 mA (60 Hz)
Typical response time	7 ms
Typical release time	20 ms
Typical release voltage	50 V AC
Operating voltage display	Yellow LED
Protective circuit	Bridge rectifier; Bridge rectifier
	Filter; Filter

Output data

Compatible components	Miniature relay, REL-MR-60DC/21AU, REL-MR-60DC/21
-----------------------	---

Connection data

Connection method	Screw connection
Stripping length	8 mm
Screw thread	M3

PLC-BSC-120UC/21/RC/SO46 - Relay base



2906149

<https://www.phoenixcontact.com/us/products/2906149>

Conductor cross-section rigid	0.14 mm ² ... 2.5 mm ²
Conductor cross-section flexible	0.14 mm ² ... 2.5 mm ²
	0.2 mm ² ... 2.5 mm ² (Single ferrule)
	2x 0.5 mm ² ... 1.5 mm ² (TWIN ferrule)
Conductor cross-section AWG	26 ... 14
Tightening torque	0.6 Nm ... 0.8 Nm

Dimensions

Width	6.2 mm
Height	80 mm
Depth	94 mm

Material specifications

Color	green (RAL 6021)
Flammability rating according to UL 94 (Housing)	V0 (Housing)

Environmental and real-life conditions

Ambient conditions

Ambient temperature (operation)	-25 °C ... 55 °C
Ambient temperature (storage/transport)	-40 °C ... 85 °C

Standards and regulations

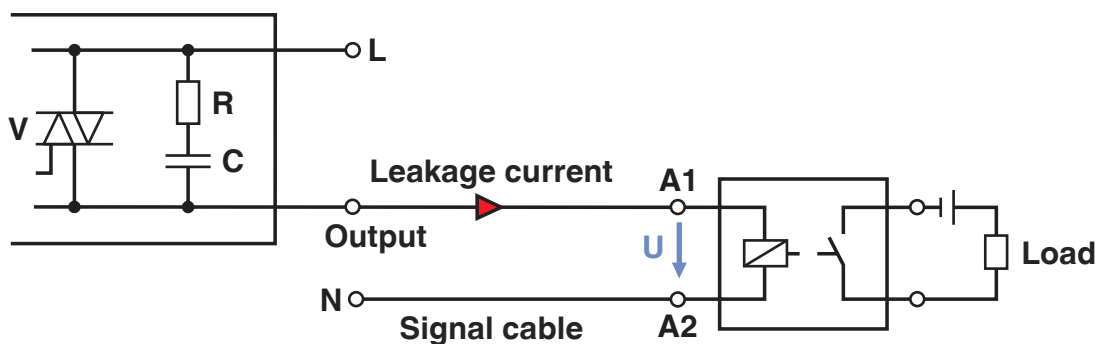
Standards/regulations	IEC 60255/DIN VDE 0435 (in relevant parts)
	DIN EN 50178/VDE 0160 (in relevant parts)

Mounting

Mounting type	DIN rail mounting
Assembly note	in rows with zero spacing
Mounting position	any

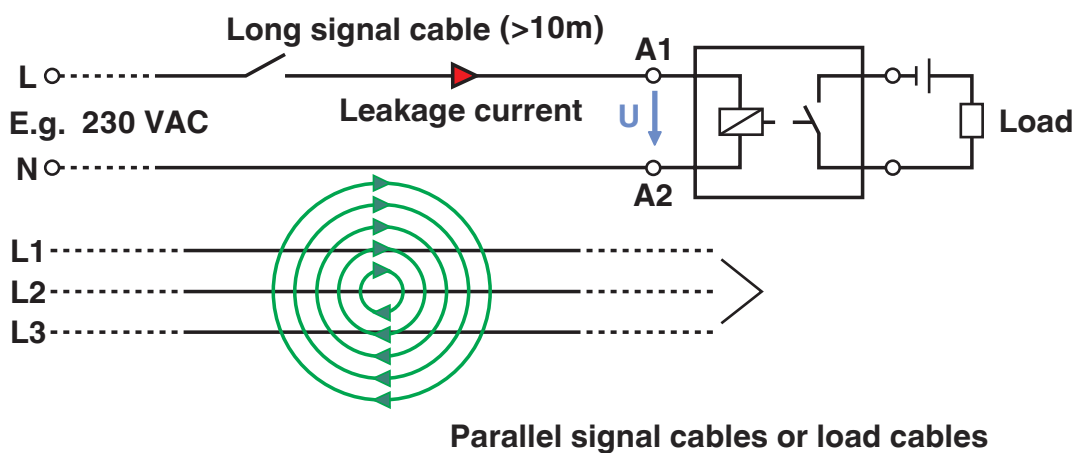
Drawings

Application drawing



Occurrence of interference signals
Scenario 1: controller - AC output card

Application drawing



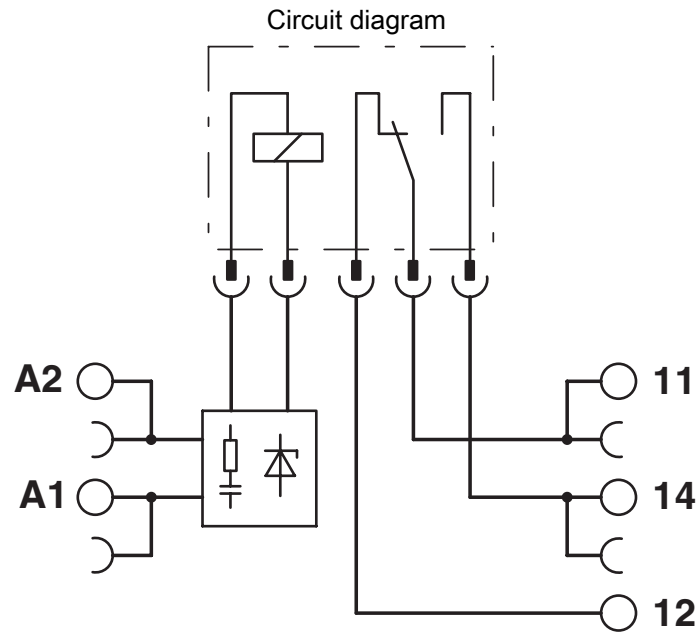
Occurrence of interference signals
Scenario 2: long signal cables

PLC-BSC-120UC/21/RC/SO46 - Relay base



2906149

<https://www.phoenixcontact.com/us/products/2906149>



2906149

<https://www.phoenixcontact.com/us/products/2906149>

Environmental product compliance

China RoHS

Environment friendly use period (EFUP)	EFUP-50
	An article-related China RoHS declaration table can be found in the download area for the respective article under "Manufacturer declaration". For all articles with EFUP-E, no China RoHS declaration table issued and required.

EU REACH SVHC

REACH candidate substance (CAS No.)	No substance above 0.1 wt%
-------------------------------------	----------------------------

Phoenix Contact 2026 © - all rights reserved
<https://www.phoenixcontact.com>

Phoenix Contact USA
586 Fulling Mill Road
Middletown, PA 17057, United States
(+717) 944-1300
info@phoenixcon.com