

# UM-D37M/16RSC-24DC/DO/C3/R IM - Active module

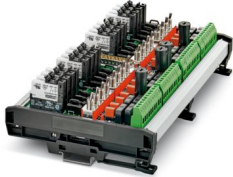


2906121

<https://www.phoenixcontact.com/us/products/2906121>

Please be informed that the data shown in this PDF document is generated from our online catalog. Please find the complete data in the user documentation. Our general terms of use for downloads are valid.

VARIOFACE 16-channel module intended for use with Honeywell® Experion C300 24 V digital IOTA, right-hand version, 3 A, 120 V, inter-marshalling



## Your advantages

- UM-PRO housing
- DIN rail mounting, includes grounding foot
- Per channel pluggable 3 A fusing
- Per channel configuration for NO or NC contacts
- Per-channel selectable inter-marshalling or external-powered (via toggle switch)
- Designed to be mounted on the right side of the cabinet
- LED blown fuse indication

## Commercial data

Item number	2906121
Packing unit	1 pc
Minimum order quantity	1 pc
Note	Made to order (non-returnable)
Sales key	NULL
Product key	DK219H
GTIN	4055626078021
Weight per piece (including packing)	903 g
Weight per piece (excluding packing)	860 g
Customs tariff number	85371098
Country of origin	US

2906121

<https://www.phoenixcontact.com/us/products/2906121>

## Technical data

### Product properties

Product type	Interface module
No. of channels	16
Operating mode	100% operating factor
Mechanical service life	2x 10 <sup>7</sup> cycles
With components	yes

### Insulation characteristics

Overvoltage category	II
Pollution degree	2

### Electrical properties

Supported controller: HONEYWELL Experion PKS C300/C-Series

Suitable I/O card	TDOB01 (non-redundant)
	TDOB11 (redundant)
	TDOB51 (non-redundant)
	TDOB61 (redundant)

### Input data

Nominal input voltage $U_N$	24 V DC
Input voltage range in reference to $U_N$	0.8 ... 1.1
Input voltage range	19.2 V DC ... 26.4 V DC
Typical input current at $U_N$	7 mA
Typical response time	5 ms
Typical release time	15 ms
Protective circuit	Freewheeling diode; Freewheeling diode

### Output data

#### Switching

Contact switching type	1 changeover contact
Contact material	AgSnO
Maximum switching voltage	120 V AC/DC
Minimum switching voltage	12 V
Limiting continuous current	3 A (fuse limited)
Min. switching current	10 mA
Interrupting rating (ohmic load) max.	72 W (24 V DC)
	20 W (48 V DC)
	18 W (60 V DC)
	23 W (110 V DC)
	360 VA (120 V AC)
Error detection (line break / short-circuit)	no

2906121

<https://www.phoenixcontact.com/us/products/2906121>

## Connection data

### Controller level

Connection method	D-SUB connector
Number of connections	1
Number of positions	37

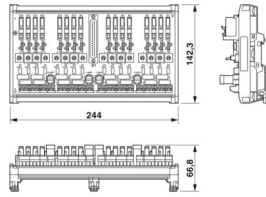
### Field level

Connection method	Screw connection
Stripping length	8 mm
Screw thread	M3
Number of connections	32
Conductor cross-section rigid	0.2 mm <sup>2</sup> ... 4 mm <sup>2</sup>
Conductor cross-section flexible	0.2 mm <sup>2</sup> ... 2.5 mm <sup>2</sup>
Conductor cross-section AWG	24 ... 12

## Signaling

Status display present	yes, if the fuse fails
------------------------	------------------------

## Dimensions

Dimensional drawing	
Width	244 mm
Height	142.3 mm
Depth	66.8 mm

## Environmental and real-life conditions

### Ambient conditions

Degree of protection	IP20
Ambient temperature (operation)	-40 °C ... 70 °C
Ambient temperature (storage/transport)	-40 °C ... 75 °C
Altitude	< 2000 m
Permissible humidity (operation)	90 %
Permissible humidity (storage/transport)	90 %

## Mounting

Mounting type	DIN rail mounting
---------------	-------------------

## Notes

# UM-D37M/16RSC-24DC/DO/C3/R IM - Active module



2906121

<https://www.phoenixcontact.com/us/products/2906121>

General	Standard or halogen-free cables
Notes on operation	For proper use, the specifications of the installation directive (see Downloads) must be observed. For applications or use with third-party products, the specifications, and the safety and warning instructions of the respective third-party manufacturer must also be met.

# UM-D37M/16RSC-24DC/DO/C3/R IM - Active module

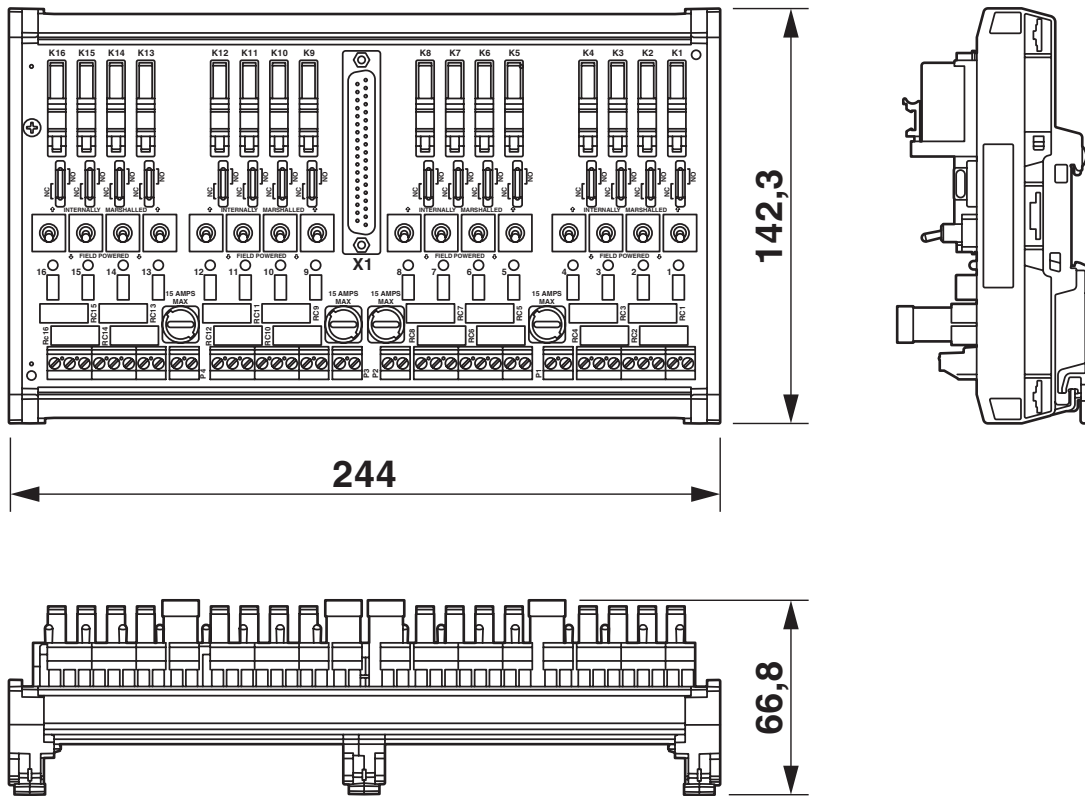


2906121

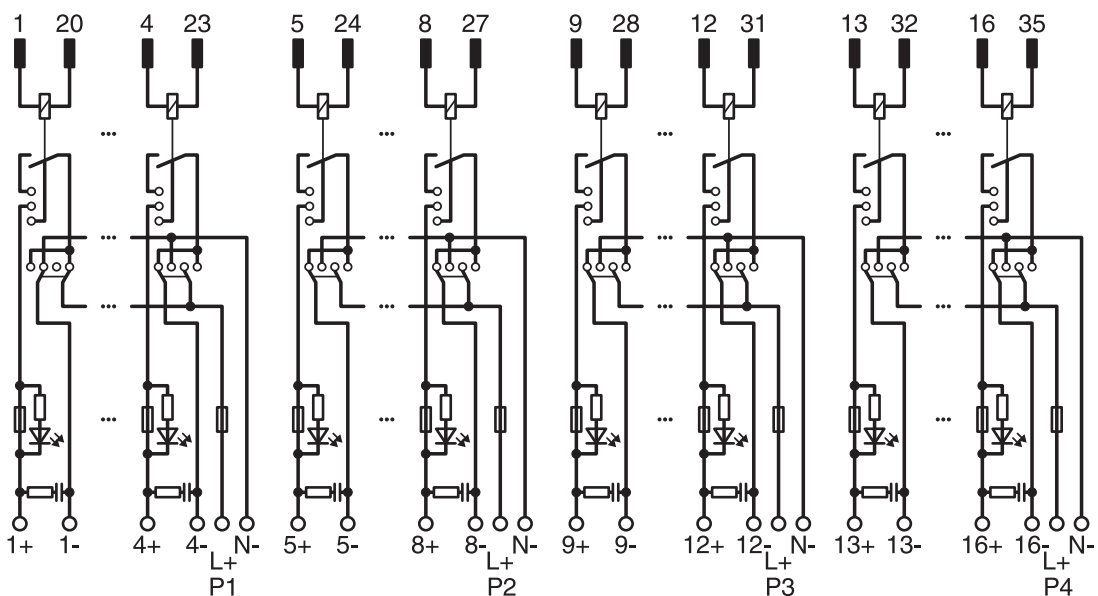
<https://www.phoenixcontact.com/us/products/2906121>

## Drawings

Dimensional drawing



Circuit diagram



Channel 16 shows switch in internal marshalling powered configuration.  
All other channels show switch in externally powered configuration.

2906121

<https://www.phoenixcontact.com/us/products/2906121>

## Classifications

### ECLASS

ECLASS-13.0

27141152

### ETIM

ETIM 9.0

EC002780

### UNSPSC

UNSPSC 21.0

39121400

2906121

<https://www.phoenixcontact.com/us/products/2906121>

## Environmental product compliance

### EU RoHS

Fulfills EU RoHS substance requirements	Yes
Exemption	6(c), 7(a), 7(c)-I

### China RoHS

Environment friendly use period (EFUP)	EFUP-50
	An article-related China RoHS declaration table can be found in the download area for the respective article under "Manufacturer declaration". For all articles with EFUP-E, no China RoHS declaration table issued and required.

### EU REACH SVHC

REACH candidate substance (CAS No.)	Lead(CAS: 7439-92-1)
SCIP	889ca841-c968-4ede-b839-b22ec081648b

Phoenix Contact 2026 © - all rights reserved

<https://www.phoenixcontact.com>

Phoenix Contact USA  
 586 Fulling Mill Road  
 Middletown, PA 17057, United States  
 (+717) 944-1300  
[info@phoenixcon.com](mailto:info@phoenixcon.com)