

BLT-T2-320-UT - Type 2 surge arrester



2906100

<https://www.phoenixcontact.com/us/products/2906100>

Please be informed that the data shown in this PDF document is generated from our online catalog. Please find the complete data in the user documentation. Our general terms of use for downloads are valid.



Type 2 surge arrester for universal mounting in lights and cable connection boxes. Specifically for insulation class II with optical fault indication. Installation in branch or through wiring. Version: 230 V AC

Your advantages

- Optimal additional protection of the building installation for longer service life and increased availability of the end devices
- Optimal protection of the power supply for longer service life and increased availability of the LED lighting
- Excellent level of information provided, thanks to shutdown function for the load circuit in the event of an error
- Simple condition monitoring without voltage on the device with a mechanical/visual status indicator
- Flexible installation, thanks to mounting via integrated elongated holes
- Specifically for insulation class II with double or reinforced insulation
- Flexible installation
- Fixed via integrated elongated holes
- Compact design
- Optical status indicator
- Stub or through-wiring connection
- Double or reinforced insulation
- Universal use for street, tunnel or object lighting
- L' signalizes the failure of the surge protective device due to disconnection of the power supply to the lights

Commercial data

| | |
|--------------------------------------|---------------|
| Item number | 2906100 |
| Packing unit | 10 pc |
| Minimum order quantity | 10 pc |
| Product key | CL1361 |
| GTIN | 4055626058078 |
| Weight per piece (including packing) | 39 g |
| Weight per piece (excluding packing) | 39 g |
| Country of origin | CN |

BLT-T2-320-UT - Type 2 surge arrester

2906100

<https://www.phoenixcontact.com/us/products/2906100>

Technical data

Product properties

| | |
|--------------------------------|---------------------|
| Product type | Surge arrester |
| IEC test classification | II / III |
| | T2 / T3 |
| EN type | T2 / T3 |
| IEC power supply system | TT |
| | TN-C |
| | IT |
| Type | Installation module |
| Surge protection fault message | optical |
| Number of ports | One |

Insulation characteristics

| | |
|----------------------|-----|
| Protection class | II |
| Overvoltage category | III |
| Pollution degree | 2 |

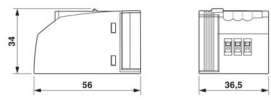
Electrical properties

| | |
|-------------------------|-----------------------|
| Nominal frequency f_N | 50 Hz (60 Hz) |
| Nominal voltage U_N | 100 V AC ... 277 V AC |
| Dielectric strength | < 6 kV |

Connection data

| | |
|----------------------------------|---|
| Connection method | Screw terminal blocks |
| Screw thread | M3 |
| Tightening torque | 0.6 Nm |
| Conductor cross-section flexible | 0.2 mm ² ... 2.5 mm ² |
| Conductor cross-section rigid | 0.2 mm ² ... 4 mm ² |

Dimensions

| | |
|---------------------|--|
| Dimensional drawing |  |
| Width | 36.5 mm |
| Height | 56 mm |
| Depth | 34 mm |

Material specifications

| | |
|--|-----------------------|
| Color | light gray (RAL 7035) |
| Flammability rating according to UL 94 | V-0 |
| CTI value of material | 600 |

BLT-T2-320-UT - Type 2 surge arrester



2906100

<https://www.phoenixcontact.com/us/products/2906100>

| | |
|---------------------|--------|
| Insulating material | PA 6.6 |
| Material group | I |
| Housing material | PA 6.6 |

Protective circuit

| | |
|--|---|
| Mode of protection | L-N |
| Direction of action | 1L-N |
| Nominal voltage U_N | 100 V AC ... 277 V AC |
| Nominal frequency f_N | 50 Hz (60 Hz) |
| Maximum continuous operating voltage U_C | 320 V AC |
| Rated load current I_L | 16 A |
| Nominal discharge current I_n (8/20) μ s | 5 kA |
| Maximum discharge current I_{max} (8/20) μ s | 10 kA |
| Combination wave U_{OC} | 10 kV |
| Short-circuit current rating I_{SCCR} | 3 kA |
| Voltage protection level U_p | ≤ 1.3 kV |
| Residual voltage U_{res} | ≤ 1.3 kV (at I_n) ≤ 1.3 kV (at U_{OC}) |
| TOV behavior at U_T | 400 V AC (5 s / withstand mode) 528 V AC (120 min / safe failure mode) |
| Response time t_A | ≤ 25 ns |
| Max. backup fuse with V-type through wiring | 16 A (MCB B/C) |
| Max. backup fuse with branch wiring | 16 A (MCB B/C) |

Environmental and real-life conditions

Ambient conditions

| | |
|---|----------------------|
| Degree of protection | IP20 |
| Ambient temperature (operation) | -40 °C ... 80 °C |
| Ambient temperature (storage/transport) | -40 °C ... 80 °C |
| Altitude | ≤ 2000 m (amsl) |
| Permissible humidity (operation) | 5 % ... 95 % |

Standards and regulations

| | |
|--------------------------|--------------|
| Standards/specifications | IEC 61643-11 |
| Note | 2011 |
| Standards/specifications | EN 61643-11 |
| Note | 2012 |

Mounting

| | |
|---------------|------------|
| Mounting type | 4 mm screw |
|---------------|------------|

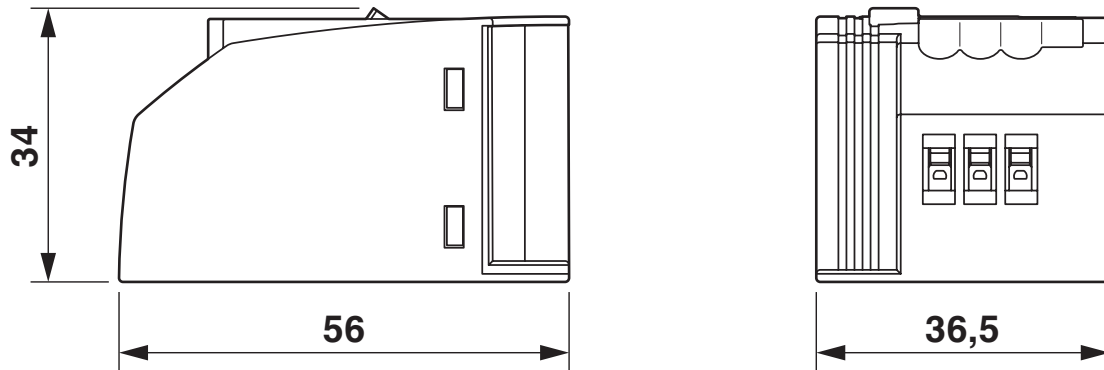
BLT-T2-320-UT - Type 2 surge arrester

2906100

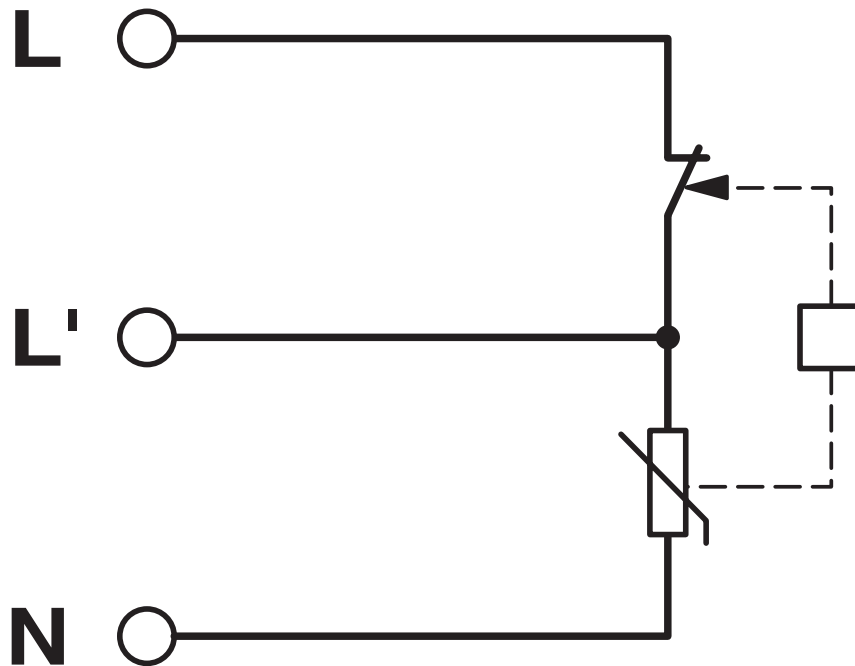
<https://www.phoenixcontact.com/us/products/2906100>

Drawings

Dimensional drawing



Circuit diagram



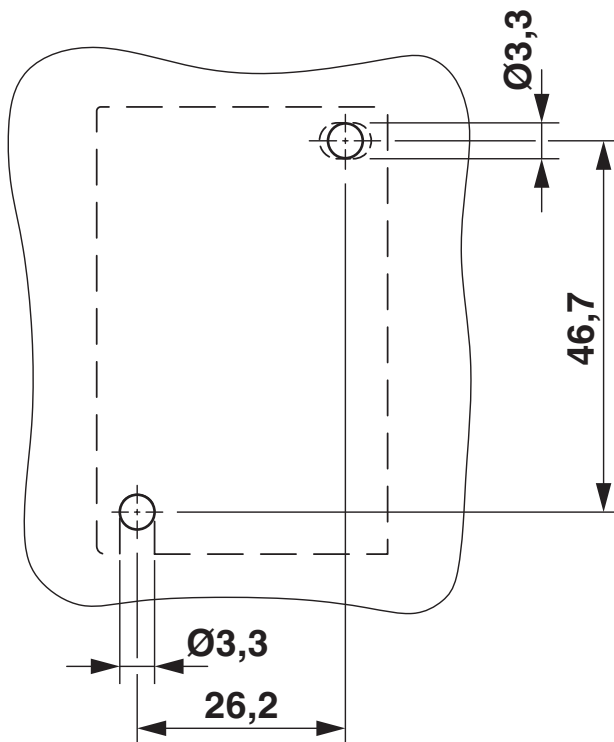
BLT-T2-320-UT - Type 2 surge arrester

2906100

<https://www.phoenixcontact.com/us/products/2906100>



Drilling plan/solder pad geometry



BLT-T2-320-UT - Type 2 surge arrester



2906100

<https://www.phoenixcontact.com/us/products/2906100>

Approvals

To download certificates, visit the product detail page: <https://www.phoenixcontact.com/us/products/2906100>



IECEE CB Scheme
Approval ID: NL-36565

CCA

Approval ID: NTR-NL 7418



KEMA-KEUR
Approval ID: 2179938.01

UAE-RoHS

Approval ID: 23-10-88350

BLT-T2-320-UT - Type 2 surge arrester



2906100

<https://www.phoenixcontact.com/us/products/2906100>

Classifications

ECLASS

| | |
|-------------|----------|
| ECLASS-13.0 | 27171202 |
| ECLASS-15.0 | 27171202 |

ETIM

| | |
|-----------|----------|
| ETIM 10.0 | EC000941 |
|-----------|----------|

UNSPSC

| | |
|-------------|----------|
| UNSPSC 21.0 | 39121600 |
|-------------|----------|

BLT-T2-320-UT - Type 2 surge arrester



2906100

<https://www.phoenixcontact.com/us/products/2906100>

Environmental product compliance

EU RoHS

| | |
|---|--------------------|
| Fulfills EU RoHS substance requirements | Yes, No exemptions |
|---|--------------------|

China RoHS

| | |
|--|--|
| Environment friendly use period (EFUP) | EFUP-E |
| | No hazardous substances above the limits |

EU REACH SVHC

| | |
|-------------------------------------|----------------------------|
| REACH candidate substance (CAS No.) | No substance above 0.1 wt% |
|-------------------------------------|----------------------------|

Phoenix Contact 2026 © - all rights reserved
<https://www.phoenixcontact.com>

Phoenix Contact USA
586 Fulling Mill Road
Middletown, PA 17057, United States
(+717) 944-1300
info@phoenixcon.com