

FLT-SEC-P-T1-440/35-P - Type 1 surge protection plug



2905989

<https://www.phoenixcontact.com/us/products/2905989>

Please be informed that the data shown in this PDF document is generated from our online catalog. Please find the complete data in the user documentation. Our general terms of use for downloads are valid.



Replacement plug free of leakage current for lightning arresters from the FLASHTRAB SEC PLUS 440 product range, for L-N and L-PE paths.

Your advantages

- Surge protection family for universal use with optimum energy coordination from the lightning current arrester to the device protection
- Easy to maintain due to consistently pluggable protection modules
- Excellent level of information provided by mechanical/visual status indicator and remote indication contact
- Optimum protective effect in the event of high-energy lightning currents, thanks to spark gap technology with low residual voltage characteristic
- Maximum performance in a minimum amount of space: compact design with high discharge capacity at high nominal voltage

Commercial data

Item number	2905989
Packing unit	1 pc
Minimum order quantity	1 pc
Sales key	CL01
Product key	CL1172
GTIN	4055626013282
Weight per piece (including packing)	267.3 g
Weight per piece (excluding packing)	241.75 g
Customs tariff number	85363030
Country of origin	TR

FLT-SEC-P-T1-440/35-P - Type 1 surge protection plug

2905989

<https://www.phoenixcontact.com/us/products/2905989>

Technical data

Product properties

Product type	Replacement plug
Product family	SEC Family
IEC test classification	I / II T1 / T2
EN type	T1 / T2
IEC power supply system	TN IT
Type	Male
Number of positions	1
Surge protection fault message	optical

Insulation characteristics

Overvoltage category	III
Pollution degree	2

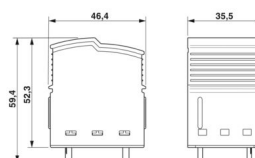
Electrical properties

Nominal frequency f_N	50 Hz (60 Hz)
-------------------------	---------------

Connection data

Connection method	pluggable
-------------------	-----------

Dimensions

Dimensional drawing	
Width	35.5 mm
Height	46.6 mm
Depth	59.4 mm
Horizontal pitch	2 Div.

Material specifications

Color	light gray (RAL 7035)
Flammability rating according to UL 94	V-0
CTI value of material	600
Insulating material	PA6.6-FR 20% GF PBT-FR
Material group	I
Housing material	PA 6.6-FR 20 % GF

FLT-SEC-P-T1-440/35-P - Type 1 surge protection plug



2905989

<https://www.phoenixcontact.com/us/products/2905989>

	PBT-FR
--	--------

Protective circuit

Mode of protection	L-N
	L-PE
	L-PEN
	N-PE (4+0)
Direction of action	L-N / L-PEN
Nominal voltage U_N	400 V AC (TN)
	400 V AC (IT)
Nominal frequency f_N	50 Hz (60 Hz)
Maximum continuous operating voltage U_C	440 V AC
Protective conductor current I_{PE}	< 5 μ A
Nominal discharge current I_n (8/20) μ s	35 kA
Maximum discharge current I_{max} (8/20) μ s	50 kA
Impulse discharge current (10/350) μ s, charge	17.5 As
Impulse discharge current (10/350) μ s, specific energy	310 kJ/ Ω
Impulse discharge current (10/350) μ s, peak value I_{imp}	35 kA
Follow current interrupt rating I_{fi}	50 kA
Short-circuit current rating I_{SCCR}	50 kA
Voltage protection level U_p	\leq 2.5 kV
Residual voltage U_{res}	\leq 2.5 kV (at I_n)
TOV behavior at U_T	580 V AC (5 s / withstand mode)
	800 V AC (120 min / withstand mode)
	1640 V AC (200 ms / safe failure mode)
Response time t_A	\leq 100 ns
Max. backup fuse with branch wiring	400 A (gG)

Environmental and real-life conditions

Ambient conditions

Degree of protection	IP20
Ambient temperature (operation)	-40 °C ... 80 °C
Ambient temperature (storage/transport)	-40 °C ... 80 °C
Altitude	\leq 2000 m (amsl)
Permissible humidity (operation)	5 % ... 95 %
Shock (operation)	30g (Half-sine / 11 ms / 3x \pm X, \pm Y, \pm Z)
Vibration (operation)	5g (5 - 500 Hz/2.5 h/X, Y, Z)

Approvals

UL specifications

Maximum continuous operating voltage MCOV	440 V AC
Short-circuit current rating (SCCR)	25 kA
Voltage protection rating VPR	1800 V

FLT-SEC-P-T1-440/35-P - Type 1 surge protection plug



2905989

<https://www.phoenixcontact.com/us/products/2905989>

Nominal discharge current I_n	20 kA
Mode of protection	L-N
	L-G
Nominal voltage	400 V AC
Power distribution system	Single phase
Nominal frequency	50/60 Hz
SPD Type	1CA

Standards and regulations

Standards/specifications	IEC 61643-11
Note	2011

EN 61643-11

Standards/specifications	EN 61643-11
Note	2012

Mounting

Mounting type	on base element
---------------	-----------------

FLT-SEC-P-T1-440/35-P - Type 1 surge protection plug

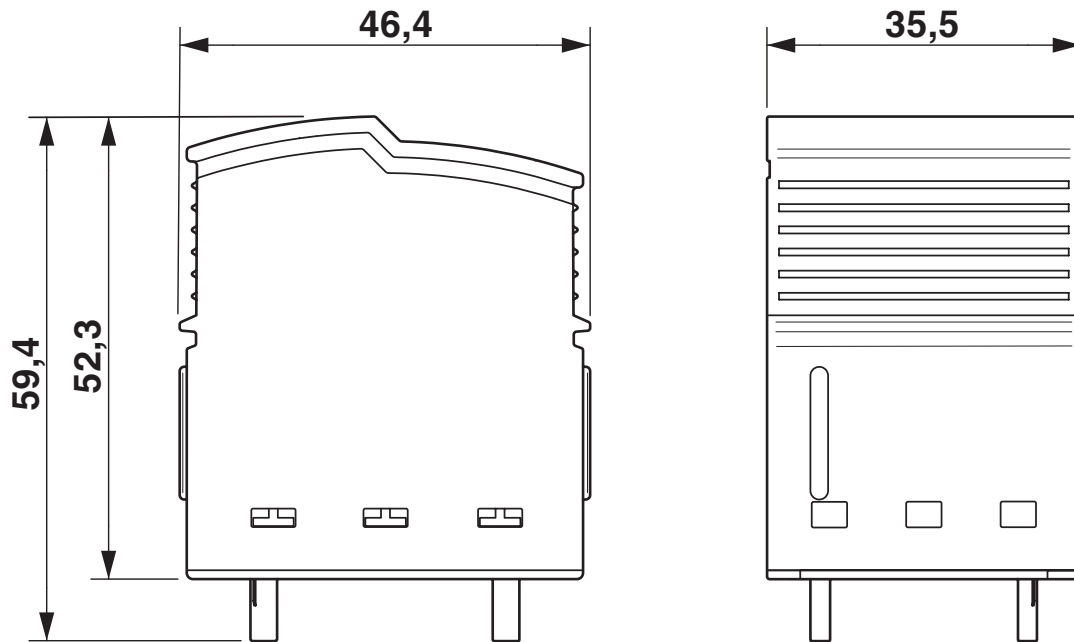


2905989

<https://www.phoenixcontact.com/us/products/2905989>

Drawings

Dimensional drawing



Circuit diagram



FLT-SEC-P-T1-440/35-P - Type 1 surge protection plug



2905989

<https://www.phoenixcontact.com/us/products/2905989>

Approvals

To download certificates, visit the product detail page: <https://www.phoenixcontact.com/us/products/2905989>



cUL Recognized
Approval ID: FILE E 330181



UL Recognized
Approval ID: FILE E 330181



IECEE CB Scheme
Approval ID: NL-40634

CCA

Approval ID: NTR-NL 7480



KEMA-KEUR
Approval ID: 71-165054

UAE-RoHS

Approval ID: 23-10-88709

FLT-SEC-P-T1-440/35-P - Type 1 surge protection plug



2905989

<https://www.phoenixcontact.com/us/products/2905989>

Classifications

ECLASS

ECLASS-13.0	27171292
ECLASS-15.0	27171292

ETIM

ETIM 10.0	EC002496
-----------	----------

UNSPSC

UNSPSC 21.0	39121600
-------------	----------

FLT-SEC-P-T1-440/35-P - Type 1 surge protection plug



2905989

<https://www.phoenixcontact.com/us/products/2905989>

Environmental product compliance

EU RoHS

Fulfills EU RoHS substance requirements	Yes, No exemptions
---	--------------------

China RoHS

Environment friendly use period (EFUP)	EFUP-E
	No hazardous substances above the limits

EU REACH SVHC

REACH candidate substance (CAS No.)	N,N-dimethylacetamide(CAS: 127-19-5)
SCIP	04193ae2-42b9-458e-873a-792597e17eb6

Phoenix Contact 2026 © - all rights reserved

<https://www.phoenixcontact.com>

Phoenix Contact USA
586 Fulling Mill Road
Middletown, PA 17057, United States
(+717) 944-1300
info@phoenixcon.com