

FLT-SEC-H-T1-264/25-P - Type 1 surge protection plug



2905968

<https://www.phoenixcontact.com/us/products/2905968>

Please be informed that the data shown in this PDF document is generated from our online catalog. Please find the complete data in the user documentation. Our general terms of use for downloads are valid.

Replacement plug for lightning current arresters from the FLASHTRAB SEC HYBRID 264 product range, for L-N and L-PEN paths.



Your advantages

- Surge protection family for universal use with optimum energy coordination from the lightning current arrester to the device protection
- Easy to maintain due to consistently pluggable protection modules
- Excellent level of information provided by mechanical/visual status indicator and remote indication contact
- Optimum protective effect in the event of high-energy lightning currents, thanks to spark gap technology with low residual voltage characteristic
- Integrated lightning-current-proof backup fuse for a low overall voltage protection level and space savings of up to 80% compared to an external backup fuse

Commercial data

Item number	2905968
Packing unit	1 pc
Minimum order quantity	1 pc
Product key	CL1162
GTIN	4055626012032
Weight per piece (including packing)	389.2 g
Weight per piece (excluding packing)	335.78 g
Country of origin	TR

FLT-SEC-H-T1-264/25-P - Type 1 surge protection plug



2905968

<https://www.phoenixcontact.com/us/products/2905968>

Technical data

Notes

General

Note	Max. single impulse: 100 kA (8/20 μ s)
	SPD according to AS/NZS 1768 Cat. C3

Product properties

Product type	Replacement plug
Product family	SEC Family
IEC test classification	I / II
	T1 / T2
EN type	T1 / T2
IEC power supply system	TN
Type	Male
Number of positions	1
Surge protection fault message	optical

Insulation characteristics

Overvoltage category	III
Pollution degree	2

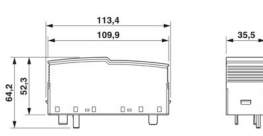
Electrical properties

Nominal frequency f_N	50 Hz (60 Hz)
-------------------------	---------------

Connection data

Connection method	pluggable
-------------------	-----------

Dimensions

Dimensional drawing	
Width	35.5 mm
Height	113.4 mm
Depth	64.2 mm
Horizontal pitch	2 Div.

Material specifications

Color	light gray (RAL 7035)
	gray (RAL 7042)
Flammability rating according to UL 94	V-0
CTI value of material	600

FLT-SEC-H-T1-264/25-P - Type 1 surge protection plug



2905968

<https://www.phoenixcontact.com/us/products/2905968>

Insulating material	PA 6.6-FR 20% GF
	PBT-FR
Material group	I
Housing material	PA 6.6-FR 20 % GF
	PBT-FR

Protective circuit

Mode of protection	L-PEN
Direction of action	L-N / L-PEN
Nominal voltage U_N	240 V AC (TN)
Nominal frequency f_N	50 Hz (60 Hz)
Maximum continuous operating voltage U_C	264 V AC
Nominal discharge current I_n (8/20) μ s	25 kA
Maximum discharge current I_{max} (8/20) μ s	50 kA
Impulse discharge current (10/350) μ s, charge	12.5 As
Impulse discharge current (10/350) μ s, specific energy	160 kJ/ Ω
Impulse discharge current (10/350) μ s, peak value I_{imp}	25 kA
Follow current interrupt rating I_{fi}	50 kA
Short-circuit current rating I_{SCCR}	50 kA
Voltage protection level U_p	≤ 1.5 kV
Residual voltage U_{res}	≤ 1.5 kV (at I_n)
	≤ 2.5 kV (at 50 kA)
	≤ 1.2 kV (at 12.5 kA)
	≤ 1 kV (at 5 kA)
	≤ 0.9 kV (at 2.5 kA)
Front-of-wave sparkover voltage at 6 kV (1.2/50) μ s	≤ 1.5 kV
TOV behavior at U_T	415 V AC (5 s / withstand mode)
	460 V AC (120 min / withstand mode)
Response time t_A	≤ 100 ns

Additional technical data

Maximum continuous operating voltage U_C	275 V AC
Short-circuit current rating I_{SCCR}	100 kA
Follow current interrupt rating I_{fi}	100 kA

Environmental and real-life conditions

Ambient conditions

Degree of protection	IP20
Ambient temperature (operation)	-40 °C ... 80 °C
Ambient temperature (storage/transport)	-40 °C ... 80 °C
Altitude	≤ 4000 m (amsl)
Permissible humidity (operation)	5 % ... 95 %

Standards and regulations

FLT-SEC-H-T1-264/25-P - Type 1 surge protection plug



2905968

<https://www.phoenixcontact.com/us/products/2905968>

Standards/specifications	IEC 61643-11
Note	2011

EN 61643-11

Standards/specifications	EN 61643-11
Note	2012

Mounting

Mounting type	on base element
---------------	-----------------

FLT-SEC-H-T1-264/25-P - Type 1 surge protection plug

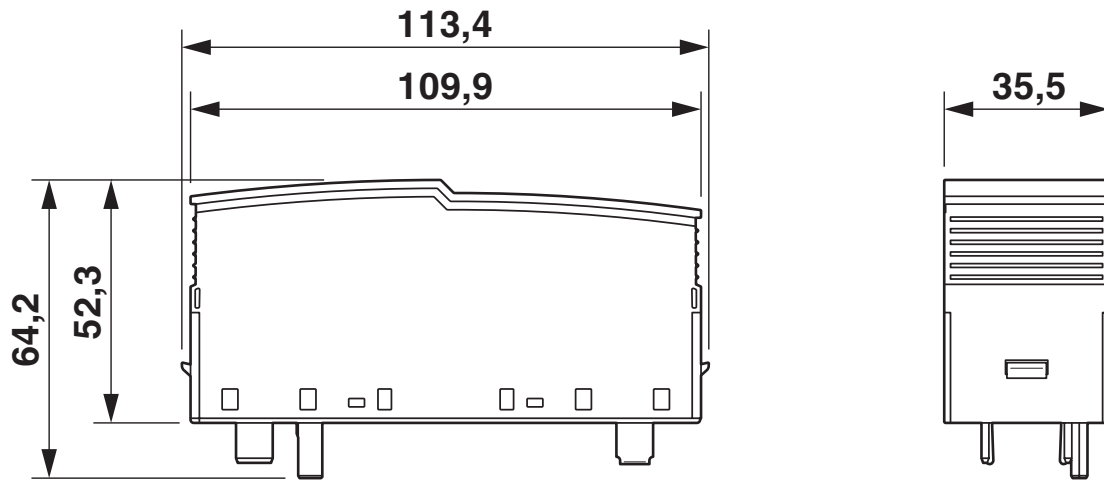


2905968

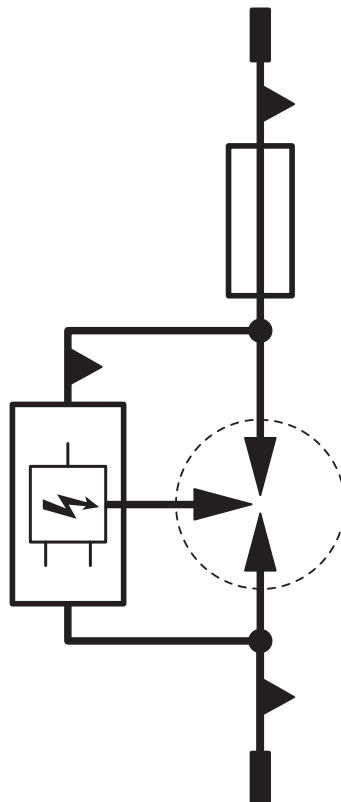
<https://www.phoenixcontact.com/us/products/2905968>

Drawings

Dimensional drawing



Circuit diagram



FLT-SEC-H-T1-264/25-P - Type 1 surge protection plug



2905968

<https://www.phoenixcontact.com/us/products/2905968>

Approvals

To download certificates, visit the product detail page: <https://www.phoenixcontact.com/us/products/2905968>



IECEE CB Scheme

Approval ID: NL-36550

CCA

Approval ID: NTR-NL 7417



KEMA-KEUR

Approval ID: 71-165056

FLT-SEC-H-T1-264/25-P - Type 1 surge protection plug



2905968

<https://www.phoenixcontact.com/us/products/2905968>

Classifications

ECLASS

ECLASS-13.0	27171292
ECLASS-15.0	27171292

ETIM

ETIM 10.0	EC002496
-----------	----------

UNSPSC

UNSPSC 21.0	39121600
-------------	----------

FLT-SEC-H-T1-264/25-P - Type 1 surge protection plug



2905968

<https://www.phoenixcontact.com/us/products/2905968>

Environmental product compliance

EU RoHS

Fulfills EU RoHS substance requirements	Yes
Exemption	6(c)

China RoHS

Environment friendly use period (EFUP)	EFUP-E
	No hazardous substances above the limits

EU REACH SVHC

REACH candidate substance (CAS No.)	Lead(CAS: 7439-92-1)
-------------------------------------	----------------------

Phoenix Contact 2026 © - all rights reserved

<https://www.phoenixcontact.com>

Phoenix Contact USA
586 Fulling Mill Road
Middletown, PA 17057, United States
(+717) 944-1300
info@phoenixcon.com