

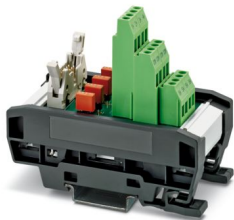
# UM-FLK10/AO/FU/ROC800 - Passive module



2905937

<https://www.phoenixcontact.com/us/products/2905937>

Please be informed that the data shown in this PDF document is generated from our online catalog. Please find the complete data in the user documentation. Our general terms of use for downloads are valid.



VARIOFACE module intended for use with the ROC800 controller analog output cards. UL recognized to Class I, Div. 2.

## Your advantages

- Three-level screw terminals for field wiring
- Per channel pluggable fusing, TE5 style, 200 mA
- FLK10 connection on the control side
- Integrated switching of 250  $\Omega$  resistor for current to voltage applications
- UM-PRO housing with grounding
- Per channel blown fuse indication
- Tested for continuity

## Commercial data

Item number	2905937
Packing unit	1 pc
Minimum order quantity	1 pc
Note	Made to order (non-returnable)
Sales key	C421
Product key	DK2B8K
GTIN	4055626047454
Weight per piece (including packing)	154.3 g
Weight per piece (excluding packing)	154.3 g
Customs tariff number	85369010
Country of origin	US

# UM-FLK10/AO/FU/ROC800 - Passive module



2905937

<https://www.phoenixcontact.com/us/products/2905937>

## Technical data

### Product properties

Product type	Interface module
Product family	VARIOFACE
Number of positions	12
No. of channels	4

### Electrical properties

Operating voltage (DC)	24 V DC
Supported controller: EMERSON ROC800	
Suitable I/O card	ROC800 AO

### Connection data

#### Field level

Connection in acc. with standard	IEC / EN
Connection method	Screw connection
Stripping length	7 mm
Screw thread	M3
Number of positions	6
Conductor cross-section rigid	0.2 mm <sup>2</sup> ... 4 mm <sup>2</sup>
Conductor cross-section flexible	0.2 mm <sup>2</sup> ... 2.5 mm <sup>2</sup>
Conductor cross-section AWG	24 ... 12

#### Controller level

Connection method	IDC/FLK pin strip
Number of connections	1
Number of positions	10
Pitch	2.54 mm

### Signaling

Status display present	yes, if the fuse fails
------------------------	------------------------

### Dimensions

#### Item dimensions

Width	54 mm
Height	92.3 mm
Depth	78.9 mm

### Material specifications

Housing insulation material	Polyamide PA non-reinforced
-----------------------------	-----------------------------

### Environmental and real-life conditions

# UM-FLK10/AO/FU/ROC800 - Passive module



2905937

<https://www.phoenixcontact.com/us/products/2905937>

## Ambient conditions

Ambient temperature (operation)	-40 °C ... 60 °C
Ambient temperature (storage/transport)	-40 °C ... 60 °C

## Mounting

Mounting type	DIN rail mounting
Mounting position	any

## Notes

Notes on operation	For proper use, the specifications of the installation directive (see Downloads) must be observed. For applications or use with third-party products, the specifications, and the safety and warning instructions of the respective third-party manufacturer must also be met.
--------------------	--

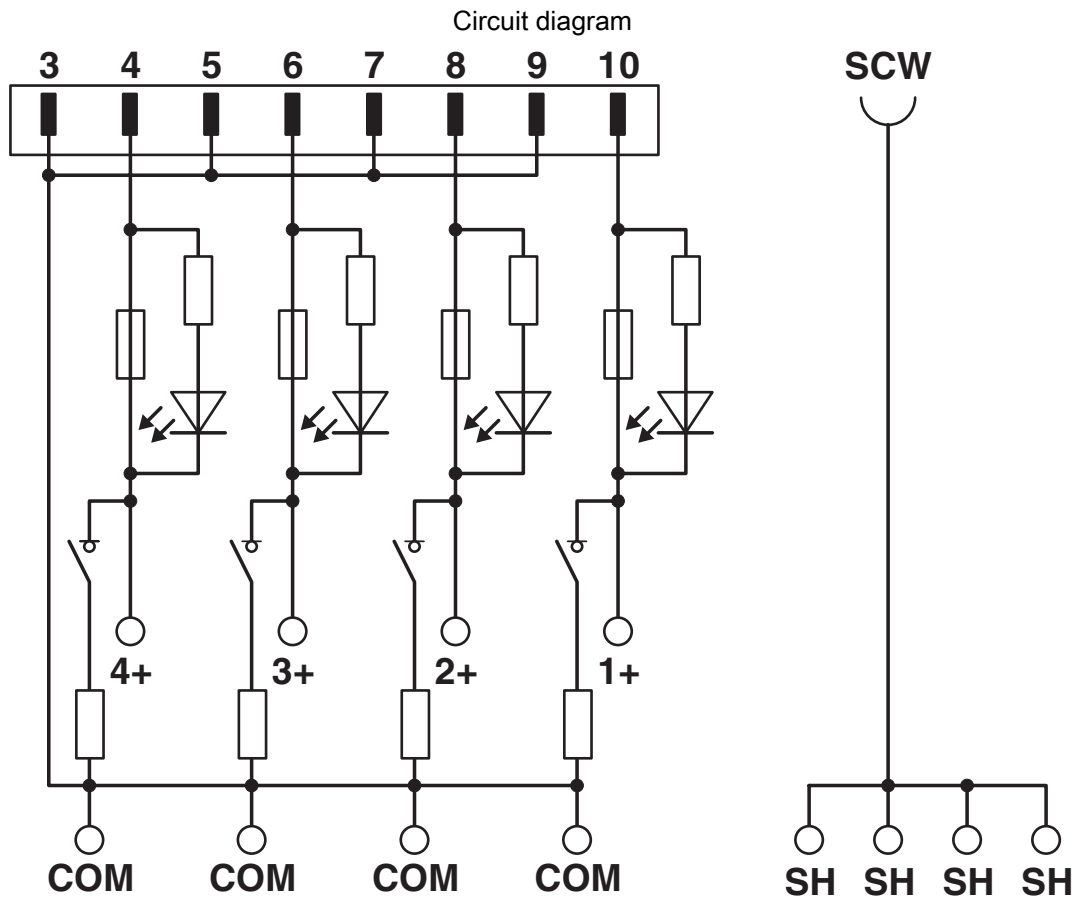
# UM-FLK10/AO/FU/ROC800 - Passive module



2905937

<https://www.phoenixcontact.com/us/products/2905937>

## Drawings



# UM-FLK10/AO/FU/ROC800 - Passive module





2905937


<https://www.phoenixcontact.com/us/products/2905937>


## Approvals

To download certificates, visit the product detail page: <https://www.phoenixcontact.com/us/products/2905937>

 <b>cUL Recognized</b> Approval ID: E238705				
	Nominal voltage $U_N$	Nominal current $I_N$	Cross section AWG	Cross section $\text{mm}^2$
keine				
	-	0.2 A	30 - 12	-

 <b>UL Recognized</b> Approval ID: E238705				
	Nominal voltage $U_N$	Nominal current $I_N$	Cross section AWG	Cross section $\text{mm}^2$
keine				
	-	0.2 A	30 - 12	-

 <b>cUL Recognized</b> Approval ID: FILE E 196811				
---	--	--	--	--

 <b>UL Recognized</b> Approval ID: FILE E 196811				
--	--	--	--	--

# UM-FLK10/AO/FU/ROC800 - Passive module



2905937

<https://www.phoenixcontact.com/us/products/2905937>

## Classifications

### ECLASS

ECLASS-13.0	27141152
ECLASS-15.0	27141152

### ETIM

ETIM 10.0	EC002780
-----------	----------

### UNSPSC

UNSPSC 21.0	39121400
-------------	----------

2905937

<https://www.phoenixcontact.com/us/products/2905937>

## Environmental product compliance

### EU RoHS

Fulfills EU RoHS substance requirements	Yes
Exemption	7(c)-I

### China RoHS

Environment friendly use period (EFUP)	EFUP-50
	An article-related China RoHS declaration table can be found in the download area for the respective article under "Manufacturer declaration". For all articles with EFUP-E, no China RoHS declaration table issued and required.

### EU REACH SVHC

REACH candidate substance (CAS No.)	No substance above 0.1 wt%
-------------------------------------	----------------------------

Phoenix Contact 2026 © - all rights reserved  
<https://www.phoenixcontact.com>

Phoenix Contact USA  
586 Fulling Mill Road  
Middletown, PA 17057, United States  
(+717) 944-1300  
[info@phoenixcon.com](mailto:info@phoenixcon.com)