

UM-FLK10/AI/FU/ROC800 - Passive module

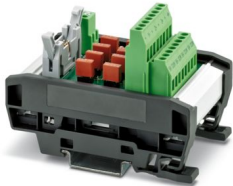


2905935

<https://www.phoenixcontact.com/us/products/2905935>

Please be informed that the data shown in this PDF document is generated from our online catalog. Please find the complete data in the user documentation. Our general terms of use for downloads are valid.

VARIOFACE module intended for use with the ROC800 controller analog input cards. UL recognized to Class I, Div. 2.



Your advantages

- Two-level screw terminals for field wiring
- Per channel pluggable fusing, TE5 style, 200 mA
- FLK10 connection on the control side
- Integrated switching of 250 Ω resistor for current to voltage applications
- UM-PRO housing with grounding
- Per channel blown fuse indication
- Tested for continuity

Commercial data

Item number	2905935
Packing unit	1 pc
Minimum order quantity	1 pc
Sales key	C421
Product key	DK2B8K
GTIN	4055626047447
Weight per piece (including packing)	179.2 g
Weight per piece (excluding packing)	179.2 g
Customs tariff number	85369010
Country of origin	US

Technical data

Product properties

Product type	Interface module
Product family	VARIOFACE
Number of positions	16
No. of channels	8

Electrical properties

Operating voltage (DC)	24 V DC
Supported controller: EMERSON ROC800	
Suitable I/O card	ROC800 AI

Connection data

Field level

Connection in acc. with standard	IEC / EN
Connection method	Screw connection
Stripping length	7 mm
Screw thread	M3
Number of positions	16
Conductor cross-section rigid	0.2 mm ² ... 4 mm ²
Conductor cross-section flexible	0.2 mm ² ... 2.5 mm ²
Conductor cross-section AWG	24 ... 12

Controller level

Connection method	IDC/FLK pin strip
Number of connections	1
Number of positions	10
Pitch	2.54 mm

Signaling

Status display present	yes, if the fuse fails
------------------------	------------------------

Dimensions

Item dimensions

Width	69 mm
Height	92.3 mm
Depth	65.5 mm

Material specifications

Housing insulation material	Polyamide PA non-reinforced
-----------------------------	-----------------------------

Environmental and real-life conditions

UM-FLK10/AI/FU/ROC800 - Passive module



2905935

<https://www.phoenixcontact.com/us/products/2905935>

Ambient conditions

Ambient temperature (operation)	-40 °C ... 60 °C
Ambient temperature (storage/transport)	-40 °C ... 60 °C

Mounting

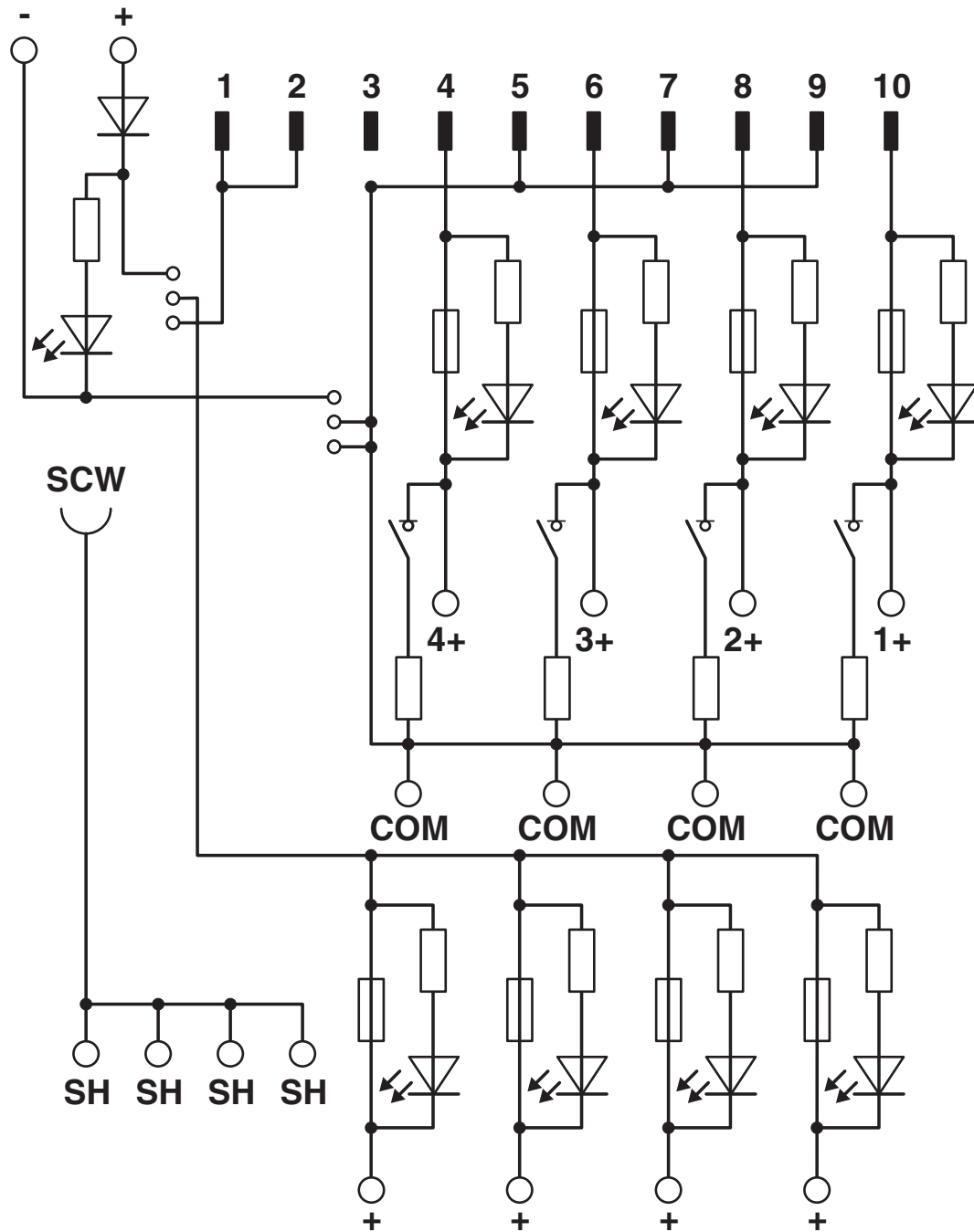
Mounting type	DIN rail mounting
Mounting position	any

Notes

Notes on operation	For proper use, the specifications of the installation directive (see Downloads) must be observed. For applications or use with third-party products, the specifications, and the safety and warning instructions of the respective third-party manufacturer must also be met.
--------------------	--

Drawings

Circuit diagram



UM-FLK10/AI/FU/ROC800 - Passive module





2905935


<https://www.phoenixcontact.com/us/products/2905935>


Approvals

To download certificates, visit the product detail page: <https://www.phoenixcontact.com/us/products/2905935>

 cUL Recognized Approval ID: E238705				
	Nominal voltage U_N	Nominal current I_N	Cross section AWG	Cross section mm^2
keine				
	24 V	0.2 A	30 - 12	-
per branch	24 V	0.2 A	30 - 12	-

 UL Recognized Approval ID: E238705				
	Nominal voltage U_N	Nominal current I_N	Cross section AWG	Cross section mm^2
keine				
	24 V	0.2 A	30 - 12	-
per branch	24 V	0.2 A	30 - 12	-

 cUL Recognized Approval ID: FILE E 196811				
---	--	--	--	--

 UL Recognized Approval ID: FILE E 196811				
--	--	--	--	--

UM-FLK10/AI/FU/ROC800 - Passive module



2905935

<https://www.phoenixcontact.com/us/products/2905935>

Classifications

ECLASS

ECLASS-13.0	27141152
ECLASS-15.0	27141152

ETIM

ETIM 10.0	EC002780
-----------	----------

UNSPSC

UNSPSC 21.0	39121400
-------------	----------

2905935

<https://www.phoenixcontact.com/us/products/2905935>

Environmental product compliance

EU RoHS

Fulfills EU RoHS substance requirements	Yes
Exemption	6(c), 7(a), 7(c)-I

China RoHS

Environment friendly use period (EFUP)	EFUP-50
	An article-related China RoHS declaration table can be found in the download area for the respective article under "Manufacturer declaration". For all articles with EFUP-E, no China RoHS declaration table issued and required.

EU REACH SVHC

REACH candidate substance (CAS No.)	Lead(CAS: 7439-92-1)
SCIP	b79f34e3-3de8-42b8-aeb0-686571f001e1

Phoenix Contact 2026 © - all rights reserved

<https://www.phoenixcontact.com>

Phoenix Contact USA
586 Fulling Mill Road
Middletown, PA 17057, United States
(+717) 944-1300
info@phoenixcon.com