

# GEB-SET-T1/T2-MNT-CH - Surge protection device set



2905891

<https://www.phoenixcontact.com/us/products/2905891>

Please be informed that the data shown in this PDF document is generated from our online catalog. Please find the complete data in the user documentation. Our general terms of use for downloads are valid.



Extended surge protection equipment, including lightning/surge arresters for building installation. Arrester set with protective devices for the power supply, including accessories.

## Commercial data

Item number	2905891
Packing unit	1 pc
Minimum order quantity	1 pc
Note	Made to order (non-returnable)
Product key	CL1512
GTIN	4055626006437
Weight per piece (including packing)	1,177.55 g
Weight per piece (excluding packing)	910.25 g
Country of origin	DE

# GEB-SET-T1/T2-MNT-CH - Surge protection device set



2905891

<https://www.phoenixcontact.com/us/products/2905891>

## Set consists of

VAL-MS-T1/T2 335/12.5/3+1-FM - Lightning/surge arrester type 1/2

2800183

<https://www.phoenixcontact.com/us/products/2800183>



Universal varistor-based plug-in lightning/surge arrester for 3-phase power supply networks with separate N and PE (5-conductor system: L1, L2, L3, N, PE), for Lightning Protection Levels III and IV, with remote indication contact.

---

MNT-1 CH II - Type 3 surge protection device

2882255

<https://www.phoenixcontact.com/us/products/2882255>



Attachment plug with surge protection for mains sockets, optical power and error display. Country-specific version: CH

# GEB-SET-T1/T2-MNT-CH - Surge protection device set



2905891

<https://www.phoenixcontact.com/us/products/2905891>

## Technical data

### Product properties

Product type	Building set
--------------	--------------

### Material specifications

Color	black (RAL 9005)
	gray (RAL 7042)

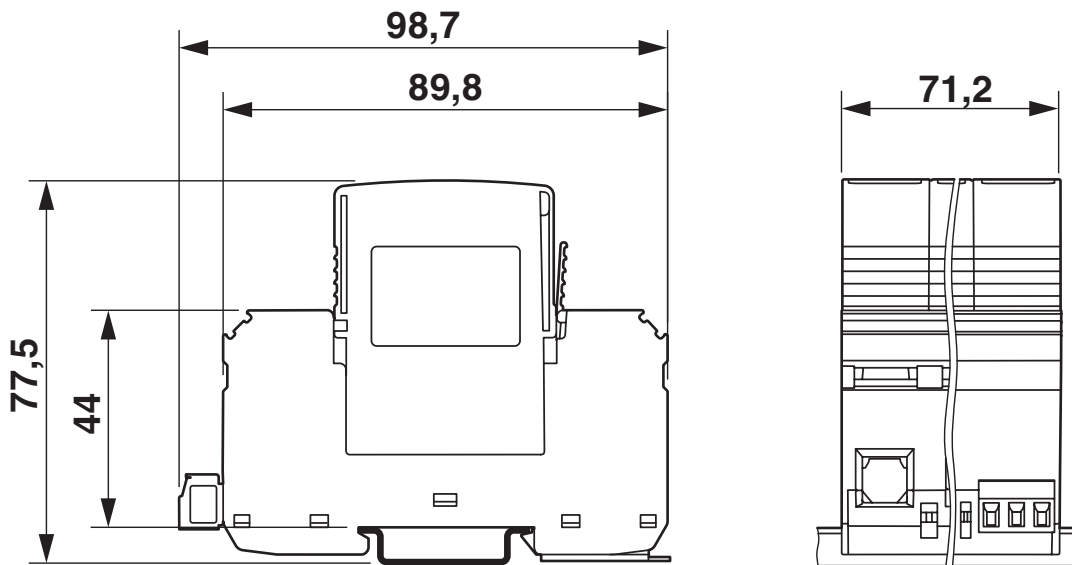
# GEB-SET-T1/T2-MNT-CH - Surge protection device set

2905891

<https://www.phoenixcontact.com/us/products/2905891>

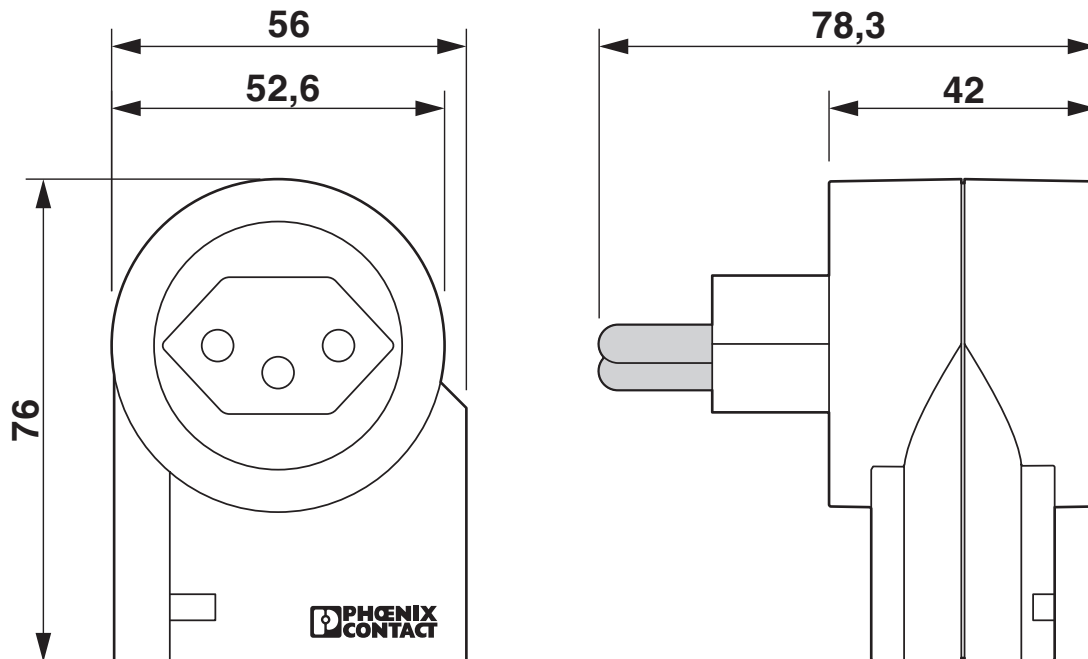
## Drawings

Dimensional drawing



Dimensional drawing of VAL-MS-T1/T2 335/12.5/3+1-FM

Dimensional drawing



Dimensional drawing MNT-1 CH II

# GEB-SET-T1/T2-MNT-CH - Surge protection device set



2905891

<https://www.phoenixcontact.com/us/products/2905891>

## Classifications

### ECLASS

ECLASS-13.0

27171292

### ETIM

ETIM 9.0

EC002496

### UNSPSC

UNSPSC 21.0

39121600

# GEB-SET-T1/T2-MNT-CH - Surge protection device set



2905891

<https://www.phoenixcontact.com/us/products/2905891>

## Environmental product compliance

### EU RoHS

Fulfills EU RoHS substance requirements	Yes
Exemption	6(c), 7(c)-I

### China RoHS

Environment friendly use period (EFUP)	EFUP-50
	An article-related China RoHS declaration table can be found in the download area for the respective article under "Manufacturer declaration". For all articles with EFUP-E, no China RoHS declaration table issued and required.

### EU REACH SVHC

REACH candidate substance (CAS No.)	Hexahydromethylphthalic anhydride(CAS: n/a)
	Lead(CAS: 7439-92-1)
SCIP	400c499b-8835-4efa-9e50-ec4c4e5035e5

Phoenix Contact 2026 © - all rights reserved  
<https://www.phoenixcontact.com>

Phoenix Contact USA  
586 Fulling Mill Road  
Middletown, PA 17057, United States  
(+717) 944-1300  
[info@phoenixcon.com](mailto:info@phoenixcon.com)