

# FLT-SEC-H-T1-3C-264/25-FM - Type 1+2 combined lightning current and surge arrester



2905871

<https://www.phoenixcontact.com/us/products/2905871>

Please be informed that the data shown in this PDF document is generated from our online catalog. Please find the complete data in the user documentation. Our general terms of use for downloads are valid.

Plug-in lightning current arrester, in accordance with Type 1/Class I, with integrated surge-proof fuse, for 3-phase power supply networks with combined PE and N installed in one conductor (L1, L2, L3, PEN).



## Your advantages

- Surge protection family for universal use with optimum energy coordination from the lightning current arrester to the device protection
- Easy to maintain due to consistently pluggable protection modules
- Excellent level of information provided by mechanical/visual status indicator and remote indication contact
- Optimum protective effect in the event of high-energy lightning currents, thanks to spark gap technology with low residual voltage characteristic
- Integrated lightning-current-proof backup fuse for a low overall voltage protection level and space savings of up to 80% compared to an external backup fuse

## Commercial data

Item number	2905871
Packing unit	1 pc
Minimum order quantity	1 pc
Product key	CL1162
GTIN	4055626003825
Weight per piece (including packing)	1,792 g
Weight per piece (excluding packing)	1,792 g
Country of origin	TR

# FLT-SEC-H-T1-3C-264/25-FM - Type 1+2 combined lightning current and surge arrester



2905871

<https://www.phoenixcontact.com/us/products/2905871>

## Technical data

### Notes

#### General

Note	Max. single impulse: 100 kA (8/20 $\mu$ s)
	SPD according to AS/NZS 1768 Cat. C3

### Product properties

Product type	Combination type
Product family	SEC Family
IEC test classification	I / II
	T1 / T2
EN type	T1 / T2
IEC power supply system	TN-C
	TT
Type	DIN rail module, two-section, divisible
Distance between live and grounded parts	1 mm
Number of positions	3
Surge protection fault message	Optical, remote indicator contact
Number of ports	One

#### Insulation characteristics

Overvoltage category	III
Pollution degree	2

### Electrical properties

Nominal frequency $f_N$	50 Hz (60 Hz)
-------------------------	---------------

#### Indicator/remote signaling

Connection name	Remote fault indicator contact
Switching function	Changeover contact
Operating voltage	12 V AC ... 250 V AC
	125 V DC (200 mA DC)
Operating current	10 mA AC ... 1 A AC
	1 A DC (30 V DC)

### Connection data

Connection method	Screw connection
Screw thread	M5
Tightening torque	4.5 Nm
Stripping length	18 mm
Conductor cross-section flexible	2.5 mm <sup>2</sup> ... 35 mm <sup>2</sup>

# FLT-SEC-H-T1-3C-264/25-FM - Type 1+2 combined lightning current and surge arrester

2905871

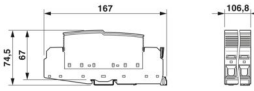
<https://www.phoenixcontact.com/us/products/2905871>

Conductor cross-section rigid	2.5 mm <sup>2</sup> ... 35 mm <sup>2</sup>
Conductor cross-section AWG	13 ... 2
Connection method	Fork-type cable lug
Conductor cross-section flexible	1.5 mm <sup>2</sup> ... 16 mm <sup>2</sup>

## Remote fault indicator contact

Connection method	Plug-in/screw connection via COMBICON
Screw thread	M2
Tightening torque	0.25 Nm
Stripping length	7 mm
Conductor cross-section flexible	0.14 mm <sup>2</sup> ... 1.5 mm <sup>2</sup>
Conductor cross-section rigid	0.14 mm <sup>2</sup> ... 1.5 mm <sup>2</sup>
Conductor cross-section AWG	28 ... 16

## Dimensions

Dimensional drawing	
Width	106.8 mm
Height	167 mm
Depth	74.5 mm (incl. DIN rail 7.5 mm)
Horizontal pitch	6 Div.

## Material specifications

Color (Male connector)	light gray (RAL 7035)
Color (Base element)	gray (RAL 7042)
Flammability rating according to UL 94	V-0
CTI value of material	600
Insulating material	PA 6.6-FR 20% GF PBT-FR
Material group	I
Housing material	PA 6.6-FR 20 % GF PBT-FR

## Mechanical properties

### Mechanical data

Open side panel	No
-----------------	----

### Protective circuit

Mode of protection	L-PEN
Direction of action	3L-N/PE
Nominal voltage U <sub>N</sub>	240/415 V AC (TN-C)

# FLT-SEC-H-T1-3C-264/25-FM - Type 1+2 combined lightning current and surge arrester



2905871

<https://www.phoenixcontact.com/us/products/2905871>

Nominal frequency $f_N$	50 Hz (60 Hz)
Maximum continuous operating voltage $U_C$	264 V AC
Nominal discharge current $I_n$ (8/20) $\mu$ s	25 kA
Maximum discharge current $I_{max}$ (8/20) $\mu$ s	50 kA
Impulse discharge current (10/350) $\mu$ s, charge	12.5 As
Impulse discharge current (10/350) $\mu$ s, specific energy	160 kJ/ $\Omega$
Impulse discharge current (10/350) $\mu$ s, peak value $I_{imp}$	25 kA
Total discharge current $I_{Total}$ (10/350) $\mu$ s	75 kA
Follow current interrupt rating $I_{fi}$	50 kA
Short-circuit current rating $I_{SCCR}$	50 kA
Voltage protection level $U_p$	$\leq 1.5$ kV
Residual voltage $U_{res}$	$\leq 1.5$ kV (at $I_n$ )
	$\leq 2.5$ kV (at 50 kA)
	$\leq 1.2$ kV (at 12.5 kA)
	$\leq 1$ kV (at 5 kA)
	$\leq 0.9$ kV (at 2.5 kA)
Front-of-wave sparkover voltage at 6 kV (1.2/50) $\mu$ s	$\leq 1.5$ kV
TOV behavior at $U_T$	415 V AC (5 s / withstand mode)
	460 V AC (120 min / withstand mode)
Response time $t_A$	$\leq 100$ ns

## Additional technical data

Maximum continuous operating voltage $U_C$	275 V AC
Short-circuit current rating $I_{SCCR}$	100 kA
Follow current interrupt rating $I_{fi}$	100 kA

## Environmental and real-life conditions

### Ambient conditions

Degree of protection	IP20 (only when all terminal points are used)
Ambient temperature (operation)	-40 °C ... 80 °C
Ambient temperature (storage/transport)	-40 °C ... 80 °C
Altitude	$\leq 4000$ m (amsl)
Permissible humidity (operation)	5 % ... 95 %

## Standards and regulations

Standards/specifications	IEC 61643-11
Note	2011

### EN 61643-11

Standards/specifications	EN 61643-11
Note	2012

## Mounting

# FLT-SEC-H-T1-3C-264/25-FM - Type 1+2 combined lightning current and surge arrester



2905871

<https://www.phoenixcontact.com/us/products/2905871>

Mounting type

DIN rail: 35 mm

# FLT-SEC-H-T1-3C-264/25-FM - Type 1+2 combined lightning current and surge arrester

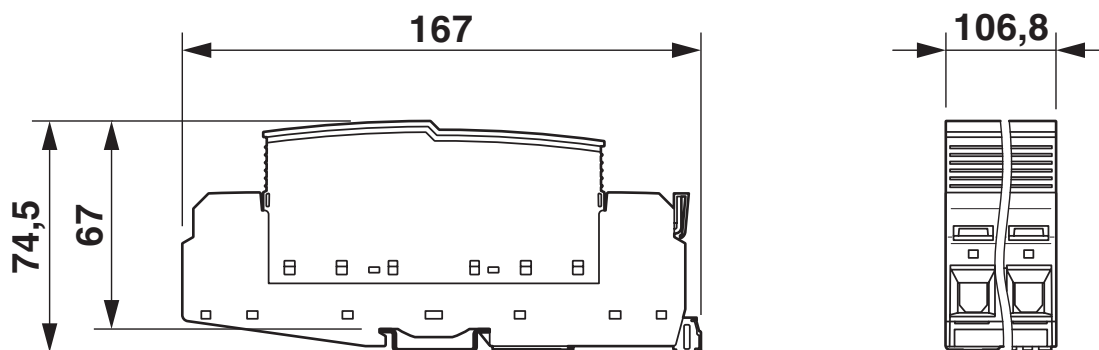


2905871

<https://www.phoenixcontact.com/us/products/2905871>

## Drawings

Dimensional drawing



# FLT-SEC-H-T1-3C-264/25-FM - Type 1+2 combined lightning current and surge arrester



2905871

<https://www.phoenixcontact.com/us/products/2905871>

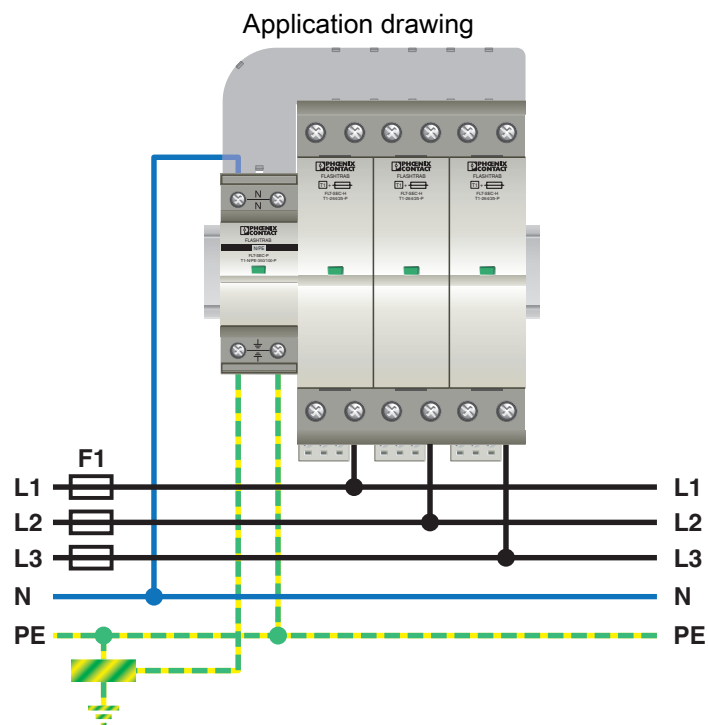
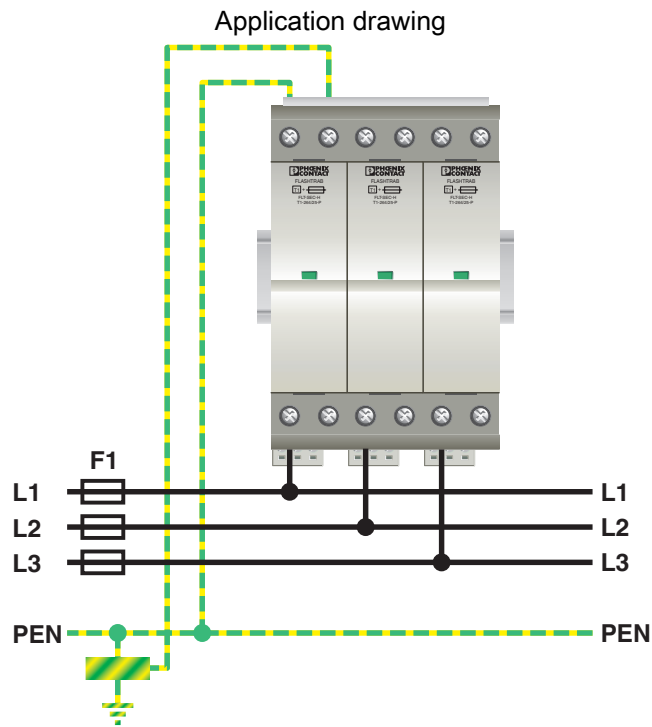
Product drawing



# FLT-SEC-H-T1-3C-264/25-FM - Type 1+2 combined lightning current and surge arrester

2905871

<https://www.phoenixcontact.com/us/products/2905871>



Structure of a 3+1 circuit for TN-S/TT systems with an N/PE spark gap and wiring bridge.

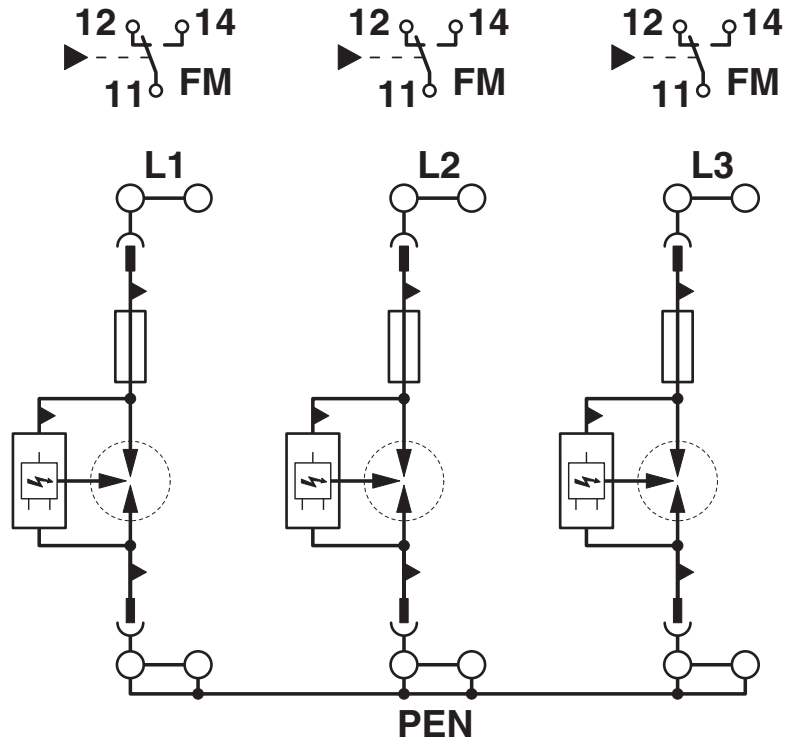
# FLT-SEC-H-T1-3C-264/25-FM - Type 1+2 combined lightning current and surge arrester



2905871

<https://www.phoenixcontact.com/us/products/2905871>

Circuit diagram



# FLT-SEC-H-T1-3C-264/25-FM - Type 1+2 combined lightning current and surge arrester



2905871

<https://www.phoenixcontact.com/us/products/2905871>

## Approvals

To download certificates, visit the product detail page: <https://www.phoenixcontact.com/us/products/2905871>



**IECEE CB Scheme**

Approval ID: NL-36550

**CCA**

Approval ID: NTR-NL 7417



**KEMA-KEUR**

Approval ID: 71-165056

# FLT-SEC-H-T1-3C-264/25-FM - Type 1+2 combined lightning current and surge arrester



2905871

<https://www.phoenixcontact.com/us/products/2905871>

## Classifications

### ECLASS

ECLASS-13.0	27171201
ECLASS-15.0	27171201

### ETIM

ETIM 10.0	EC000381
-----------	----------

### UNSPSC

UNSPSC 21.0	39121600
-------------	----------

# FLT-SEC-H-T1-3C-264/25-FM - Type 1+2 combined lightning current and surge arrester



2905871

<https://www.phoenixcontact.com/us/products/2905871>

## Environmental product compliance

### China RoHS

Environment friendly use period (EFUP)	EFUP-25
	An article-related China RoHS declaration table can be found in the download area for the respective article under "Manufacturer declaration". For all articles with EFUP-E, no China RoHS declaration table issued and required.

### EU REACH SVHC

REACH candidate substance (CAS No.)	No substance above 0.1 wt%
-------------------------------------	----------------------------

Phoenix Contact 2026 © - all rights reserved  
<https://www.phoenixcontact.com>

Phoenix Contact USA  
586 Fulling Mill Road  
Middletown, PA 17057, United States  
(+717) 944-1300  
[info@phoenixcon.com](mailto:info@phoenixcon.com)