

UM-D37M/DS/FU/DI120V/C300/R - Termination board



2905868

<https://www.phoenixcontact.com/us/products/2905868>

Please be informed that the data shown in this PDF document is generated from our online catalog. Please find the complete data in the user documentation. Our general terms of use for downloads are valid.

VARIOFACE 16-channel module intended for use with Honeywell Experion C300 high voltage digital IOTA: CX-TDI110 & CX-TDI120.



Your advantages

- These VARIOFACE modules are used in combination with the relevant front adapters
- UM-PRO housing
- Designed to be mounted on the right side of the cabinet
- DIN rail mounting
- LED blown fusing indication
- Per channel disconnects with test points
- Per channel pluggable 800 mA fusing
- Packaged with 16 x 5.08 mm jumpers for optional, user-configurable, per channel fuse bypass

Commercial data

| | |
|--------------------------------------|--------------------------------|
| Item number | 2905868 |
| Packing unit | 1 pc |
| Minimum order quantity | 1 pc |
| Note | Made to order (non-returnable) |
| Sales key | C421 |
| Product key | DK218H |
| GTIN | 4055626081083 |
| Weight per piece (including packing) | 356.5 g |
| Weight per piece (excluding packing) | 3.564 g |
| Customs tariff number | 85371098 |
| Country of origin | US |

2905868

<https://www.phoenixcontact.com/us/products/2905868>

Technical data

Product properties

| | |
|-----------------|------------------|
| Product type | Interface module |
| No. of channels | 16 |

Insulation characteristics

| | |
|----------------------|----|
| Overvoltage category | II |
| Pollution degree | 2 |

Electrical properties

Supported controller: HONEYWELL Experion PKS C300/C-Series

| | |
|-------------------|------------------------|
| Suitable I/O card | TDI110 (non-redundant) |
| | TDI120 (redundant) |

Connection data

Field level

| | |
|----------------------------------|---|
| Connection method | Screw connection with disconnect knife |
| Stripping length | 8 mm |
| Screw thread | M 3 |
| Conductor cross-section rigid | 0.2 mm ² ... 4 mm ² |
| Conductor cross-section flexible | 0.2 mm ² ... 2.5 mm ² |
| Conductor cross-section AWG | 24 ... 12 |

Controller level

| | |
|-----------------------|-----------------|
| Connection method | D-SUB pin strip |
| Number of connections | 1 |
| Number of positions | 37 |

Signaling

| | |
|------------------------|------------------------|
| Status display present | yes, if the fuse fails |
|------------------------|------------------------|

Dimensions

Item dimensions

| | |
|--------|----------|
| Width | 100 mm |
| Height | 142.3 mm |
| Depth | 65.6 mm |

Environmental and real-life conditions

Ambient conditions

| | |
|---|------------------|
| Ambient temperature (operation) | -40 °C ... 70 °C |
| Ambient temperature (storage/transport) | -40 °C ... 75 °C |
| Altitude | < 2000 m |

UM-D37M/DS/FU/DI120V/C300/R - Termination board



2905868

<https://www.phoenixcontact.com/us/products/2905868>

| | |
|--|--------|
| Permissible humidity (operation) | < 90 % |
| Permissible humidity (storage/transport) | < 90 % |

Standards and regulations

| | |
|-----------------------|--------------|
| Standards/regulations | DIN EN 50178 |
|-----------------------|--------------|

Mounting

| | |
|---------------|-------------------|
| Mounting type | DIN rail mounting |
|---------------|-------------------|

Notes

| | |
|--------------------|--|
| Notes on operation | For proper use, the specifications of the installation directive (see Downloads) must be observed. For applications or use with third-party products, the specifications, and the safety and warning instructions of the respective third-party manufacturer must also be met. |
|--------------------|--|

UM-D37M/DS/FU/DI120V/C300/R - Termination board

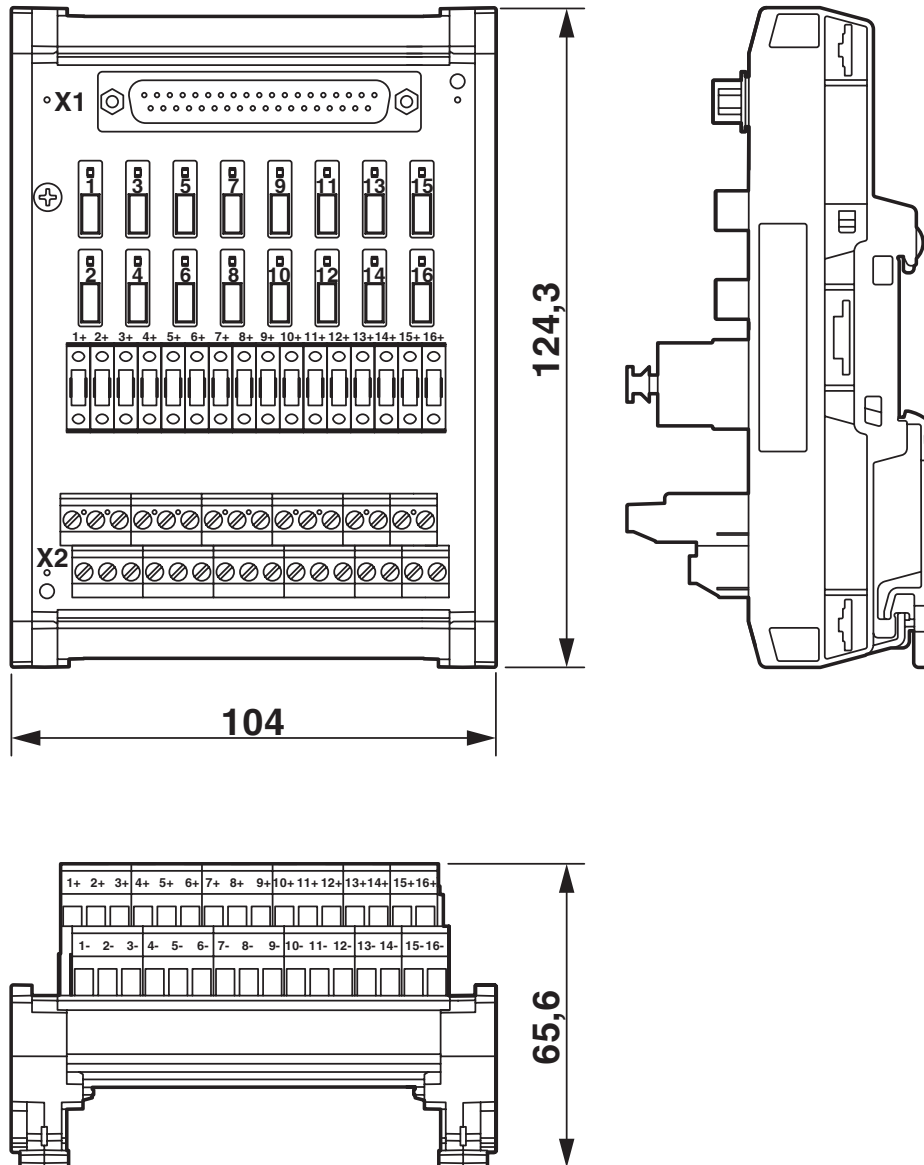


2905868

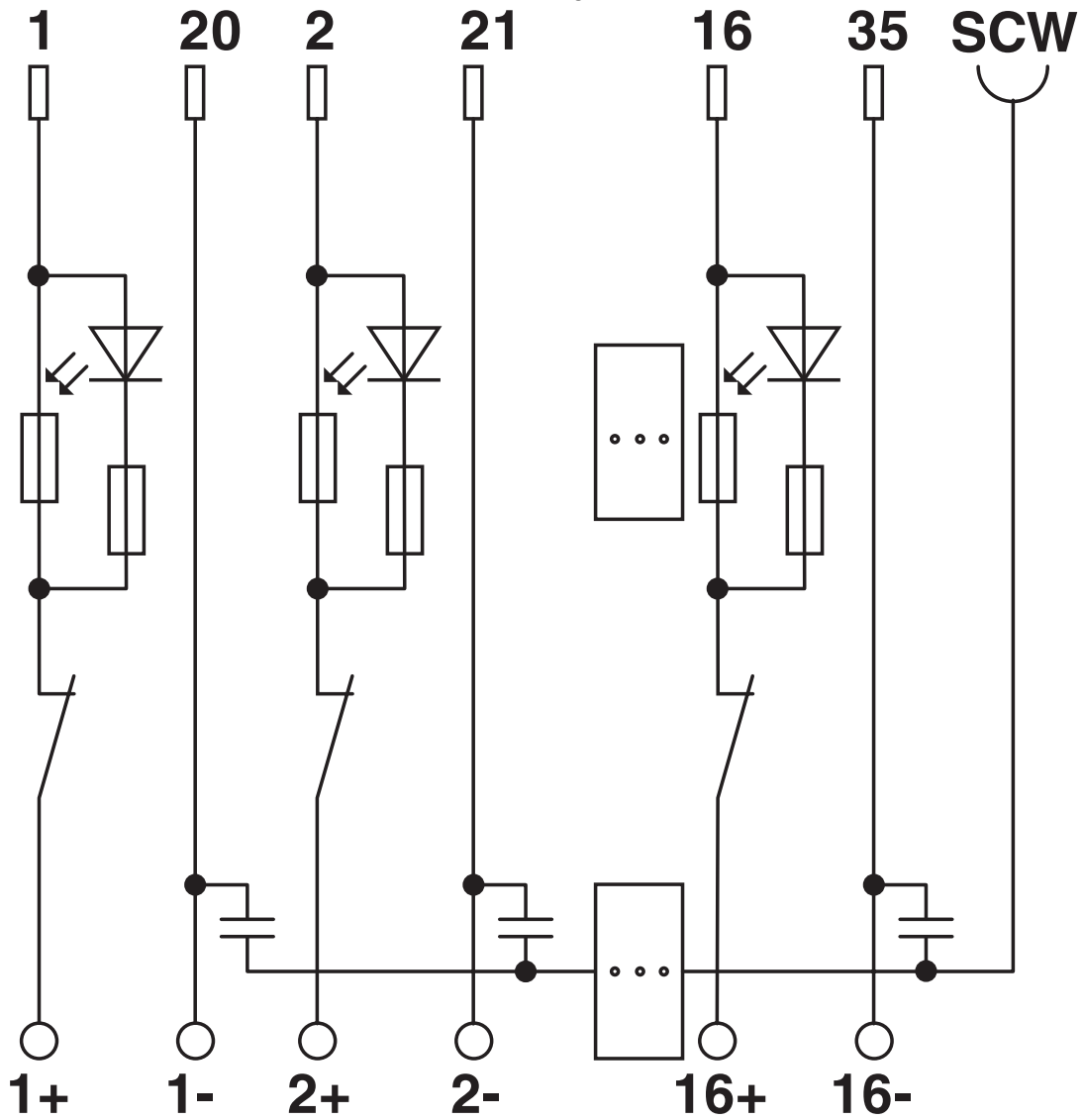
<https://www.phoenixcontact.com/us/products/2905868>

Drawings

Dimensional drawing



Circuit diagram



UM-D37M/DS/FU/DI120V/C300/R - Termination board



2905868

<https://www.phoenixcontact.com/us/products/2905868>

Classifications

ECLASS

ECLASS-13.0

27141152

ETIM

ETIM 9.0

EC002780

UNSPSC

UNSPSC 21.0

39121400

2905868

<https://www.phoenixcontact.com/us/products/2905868>

Environmental product compliance

EU RoHS

| | |
|---|--------------|
| Fulfills EU RoHS substance requirements | Yes |
| Exemption | 6(c), 7(c)-I |

China RoHS

| | |
|--|---|
| Environment friendly use period (EFUP) | EFUP-50 |
| | An article-related China RoHS declaration table can be found in the download area for the respective article under "Manufacturer declaration". For all articles with EFUP-E, no China RoHS declaration table issued and required. |

EU REACH SVHC

| | |
|-------------------------------------|--------------------------------------|
| REACH candidate substance (CAS No.) | Lead(CAS: 7439-92-1) |
| SCIP | bbc67fa7-308b-4bfa-8fd2-39fee9b02035 |

Phoenix Contact 2026 © - all rights reserved

<https://www.phoenixcontact.com>

Phoenix Contact USA
 586 Fulling Mill Road
 Middletown, PA 17057, United States
 (+717) 944-1300
info@phoenixcon.com