

FLT 100 N/PE CTRL-3.0 - Type 1+2 combined lightning current and surge arrester



2905834

<https://www.phoenixcontact.com/us/products/2905834>

Please be informed that the data shown in this PDF document is generated from our online catalog. Please find the complete data in the user documentation. Our general terms of use for downloads are valid.



Lightning current arrester with encapsulated N-PE spark gap and ignition electronics, 1-channel. Voltage protection level: 3 kV. Housing width: 35 mm (2 pitches)

Commercial data

Item number	2905834
Packing unit	1 pc
Minimum order quantity	1 pc
Product key	CL1131
GTIN	4046356998925
Weight per piece (including packing)	313.2 g
Weight per piece (excluding packing)	292 g
Country of origin	IN

FLT 100 N/PE CTRL-3.0 - Type 1+2 combined lightning current and surge arrester



2905834

<https://www.phoenixcontact.com/us/products/2905834>

Technical data

Notes

General

Note	100% lightning front-of-wave sparkover voltage (1.2/50) $\mu\text{s} \leq 1.5$ kV
------	---

Product properties

Product type	Combination type
IEC test classification	I
EN type	T1
IEC power supply system	TT
	TN-S
Type	DIN rail module, one-piece
Number of positions	1
Surge protection fault message	none
Number of ports	One

Insulation characteristics

Overvoltage category	III
Pollution degree	2

Electrical properties

Nominal frequency f_N	50 Hz (60 Hz)
-------------------------	---------------

Connection data

Connection method	Screw terminal blocks
Screw thread	M6
Tightening torque	8 Nm
Stripping length	19 mm
Conductor cross-section flexible	35 mm ²
Conductor cross-section rigid	10 mm ² ... 50 mm ²
Conductor cross-section AWG	6 ... 1

Dimensions

Dimensional drawing	
Width	35.8 mm

FLT 100 N/PE CTRL-3.0 - Type 1+2 combined lightning current and surge arrester



2905834

<https://www.phoenixcontact.com/us/products/2905834>

Height	89.8 mm
Depth	65.8 mm
Horizontal pitch	2 Div.

Material specifications

Color	black (RAL 9005)
	gray (RAL 7042)
Flammability rating according to UL 94	V-0
CTI value of material	600
Insulating material	PBT
Material group	I
Housing material	PBT

Mechanical properties

Mechanical data

Open side panel	No
-----------------	----

Protective circuit

Mode of protection	N-PE
Direction of action	N-PE
Nominal voltage U_N	230/400 V AC (TN - only N-PE)
	230/400 V AC (TT - only N-PE)
Nominal frequency f_N	50 Hz (60 Hz)
Maximum continuous operating voltage U_C	260 V AC
Rated load current I_L	80 A
Protective conductor current I_{PE}	≤ 0.1 mA
Standby power consumption P_C	≤ 26 mVA
Nominal discharge current I_n (8/20) μ s	100 kA
Impulse discharge current (10/350) μ s, charge	50 As
Impulse discharge current (10/350) μ s, specific energy	2500 kJ/ Ω
Impulse discharge current (10/350) μ s, peak value I_{imp}	100 kA
Follow current interrupt rating I_{fi}	100 A (260 V AC)
Voltage protection level U_p	≤ 3 kV
Front-of-wave sparkover voltage at 6 kV (1.2/50) μ s	≤ 3 kV
TOV behavior at U_T	1200 V AC (200 ms / withstand mode)
Response time t_A	≤ 100 ns

Environmental and real-life conditions

Ambient conditions

Degree of protection	IP20 (only when all terminal points are used)
Ambient temperature (operation)	-40 °C ... 85 °C
Ambient temperature (storage/transport)	-40 °C ... 85 °C

FLT 100 N/PE CTRL-3.0 - Type 1+2 combined lightning current and surge arrester



2905834

<https://www.phoenixcontact.com/us/products/2905834>

Altitude	≤ 2000 m (amsl)
Permissible humidity (operation)	5 % ... 95 %

Standards and regulations

Standards/specifications	IEC 61643-11
Note	2011
Standards/specifications	EN 61643-11
Note	2012

Mounting

Mounting type	DIN rail: 35 mm
---------------	-----------------

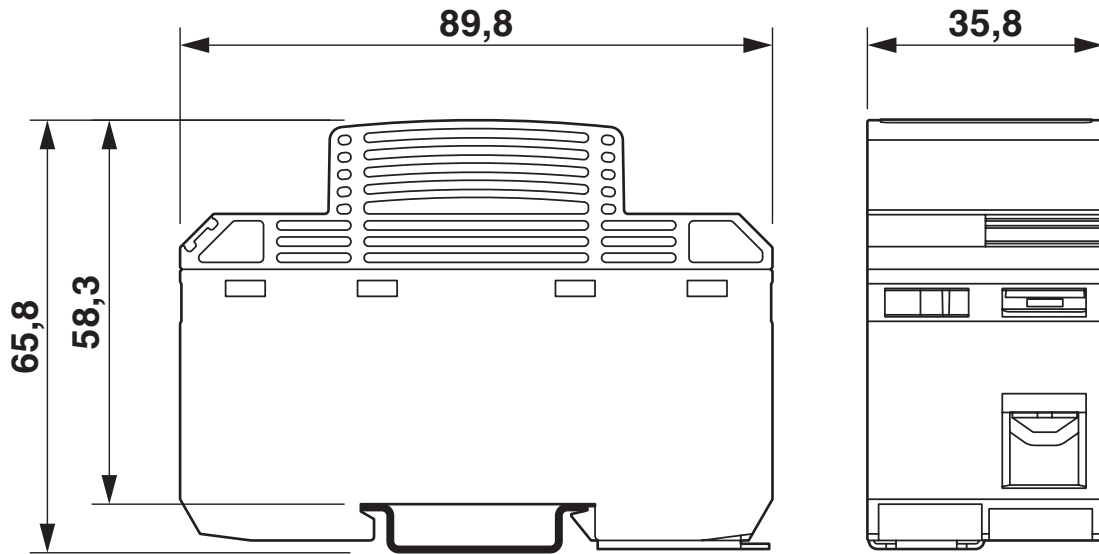
FLT 100 N/PE CTRL-3.0 - Type 1+2 combined lightning current and surge arrester

2905834

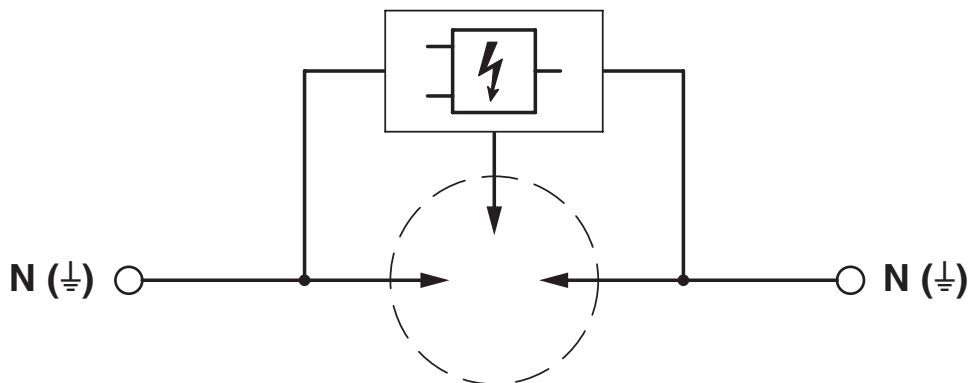
<https://www.phoenixcontact.com/us/products/2905834>

Drawings

Dimensional drawing



Circuit diagram



FLT 100 N/PE CTRL-3.0 - Type 1+2 combined lightning current and surge arrester



2905834

<https://www.phoenixcontact.com/us/products/2905834>

Classifications

ECLASS

ECLASS-13.0

27171201

ETIM

ETIM 9.0

EC000381

UNSPSC

UNSPSC 21.0

39121600

FLT 100 N/PE CTRL-3.0 - Type 1+2 combined lightning current and surge arrester



2905834

<https://www.phoenixcontact.com/us/products/2905834>

Environmental product compliance

EU RoHS

Fulfills EU RoHS substance requirements	Yes
Exemption	7(c)-I

China RoHS

Environment friendly use period (EFUP)	EFUP-50
	An article-related China RoHS declaration table can be found in the download area for the respective article under "Manufacturer declaration". For all articles with EFUP-E, no China RoHS declaration table issued and required.

EU REACH SVHC

REACH candidate substance (CAS No.)	No substance above 0.1 wt%
-------------------------------------	----------------------------

Phoenix Contact 2026 © - all rights reserved
<https://www.phoenixcontact.com>

Phoenix Contact USA
586 Fulling Mill Road
Middletown, PA 17057, United States
(+717) 944-1300
info@phoenixcon.com