

# FLT-ISG-PL-33 - Fixing plate



2905747

<https://www.phoenixcontact.com/us/products/2905747>

Please be informed that the data shown in this PDF document is generated from our online catalog. Please find the complete data in the user documentation. Our general terms of use for downloads are valid.

Plate for fixing the FLT-ISG-100-EX isolating spark gap to a flange, drill hole diameter of 33 mm.



## Commercial data

Item number	2905747
Packing unit	1 pc
Minimum order quantity	1 pc
Sales key	CL01
Product key	CL1134
GTIN	4055626002538
Weight per piece (including packing)	172.3 g
Weight per piece (excluding packing)	172 g
Customs tariff number	73269098
Country of origin	DE

# FLT-ISG-PL-33 - Fixing plate

2905747

<https://www.phoenixcontact.com/us/products/2905747>



## Technical data

### Product properties

Product type	Mounting material
--------------	-------------------

### Material specifications

Color	zinc color
	gray (RAL 7042)
Material	St/tZn

### Mounting

Mounting type	Screw mounting
---------------	----------------

# FLT-ISG-PL-33 - Fixing plate

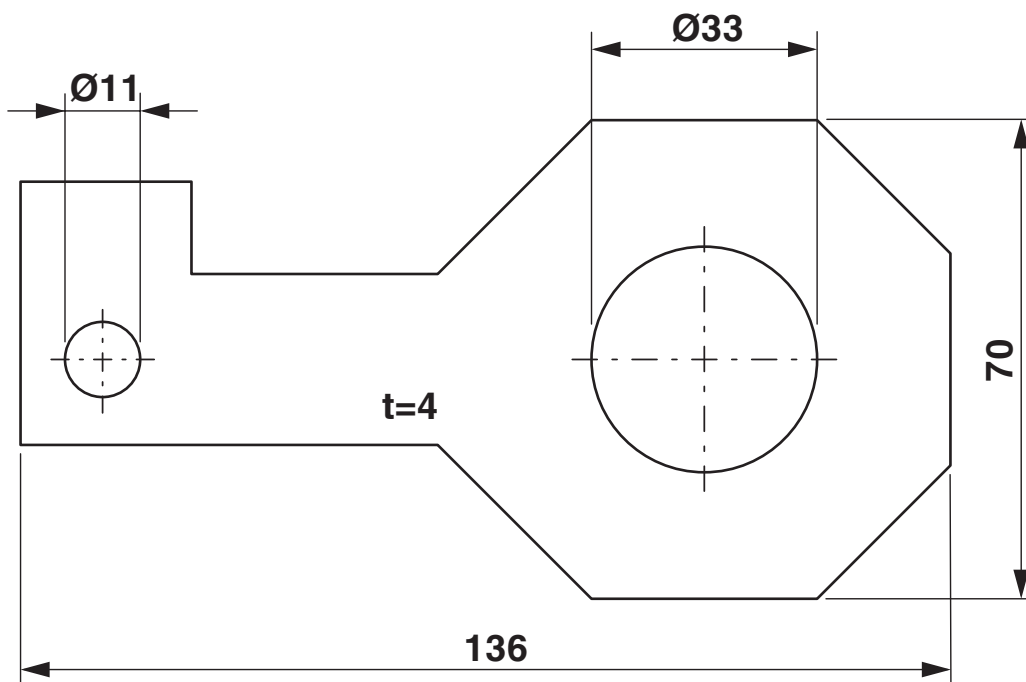
2905747

<https://www.phoenixcontact.com/us/products/2905747>



## Drawings

Dimensional drawing



# FLT-ISG-PL-33 - Fixing plate



2905747

<https://www.phoenixcontact.com/us/products/2905747>

## Classifications

### ECLASS

ECLASS-13.0	27170692
ECLASS-15.0	27170692

### ETIM

ETIM 10.0	EC000490
-----------	----------

### UNSPSC

UNSPSC 21.0	39121700
-------------	----------

# FLT-ISG-PL-33 - Fixing plate



2905747

<https://www.phoenixcontact.com/us/products/2905747>

## Environmental product compliance

### EU RoHS

Fulfills EU RoHS substance requirements	Yes, No exemptions
---	--------------------

### China RoHS

Environment friendly use period (EFUP)	EFUP-E
	No hazardous substances above the limits

### EU REACH SVHC

REACH candidate substance (CAS No.)	No substance above 0.1 wt%
-------------------------------------	----------------------------

### EF3.1 Climate Change

CO2e kg	1.009 kg CO2e
---------	---------------

Phoenix Contact 2026 © - all rights reserved  
<https://www.phoenixcontact.com>

Phoenix Contact USA  
586 Fulling Mill Road  
Middletown, PA 17057, United States  
(+717) 944-1300  
[info@phoenixcon.com](mailto:info@phoenixcon.com)