

MACX MCR-I20 - Plug

2905680

<https://www.phoenixcontact.com/us/products/2905680>



Please be informed that the data shown in this PDF document is generated from our online catalog. Please find the complete data in the user documentation. Our general terms of use for downloads are valid.



Connection terminal block for current signals, +20 mA ... -20 mA, for safe switching of limit values, in combination with MACX ...-T-UI... temperature transducers

Commercial data

Item number	2905680
Packing unit	1 pc
Minimum order quantity	1 pc
Sales key	C430
Product key	DK111Z
GTIN	4046356987172
Weight per piece (including packing)	39 g
Weight per piece (excluding packing)	20 g
Customs tariff number	85366990
Country of origin	DE

MACX MCR-I20 - Plug



2905680

<https://www.phoenixcontact.com/us/products/2905680>

Technical data

Product properties

Product type	Plug
--------------	------

Electrical properties

Maximum transmission error	1.1 %
----------------------------	-------

Connection data

Connection method	Screw connection
Screw thread	M3
Conductor cross-section rigid	0.2 mm ² ... 2.5 mm ²
Conductor cross-section flexible	0.2 mm ² ... 2.5 mm ²
Conductor cross-section AWG	24 ... 14

Material specifications

Color	light gray (RAL 7035)
-------	-----------------------

Environmental and real-life conditions

Ambient conditions

Ambient temperature (operation)	-20 °C ... 65 °C
Ambient temperature (storage/transport)	-40 °C ... 85 °C
Altitude	≤ 2000 m
Permissible humidity (operation)	typ. 5 % ... 95 % (non-condensing)

Approvals

CE

Certificate	CE-compliant
-------------	--------------

MACX MCR-120 - Plug

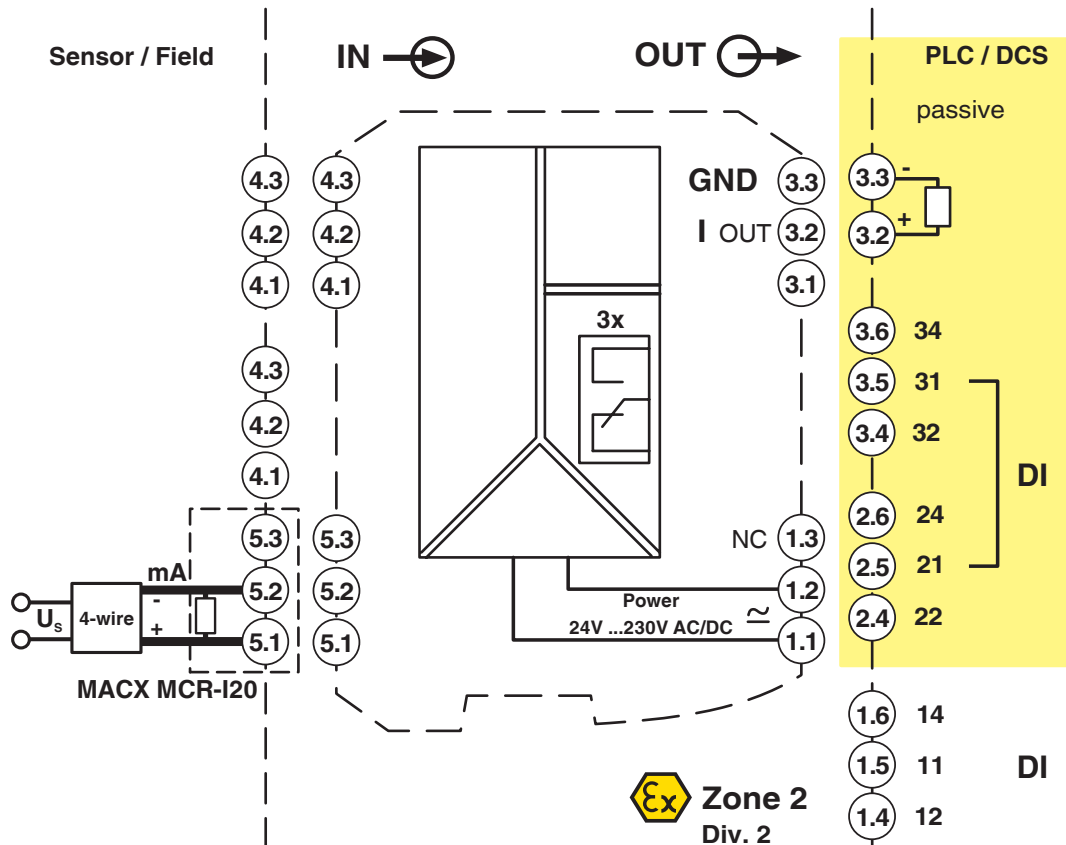
2905680

<https://www.phoenixcontact.com/us/products/2905680>



Drawings

Block diagram



MACX MCR-I20 - Plug

2905680

<https://www.phoenixcontact.com/us/products/2905680>



Classifications

ECLASS

ECLASS-13.0	27371392
ECLASS-15.0	27371392

ETIM

ETIM 10.0	EC002886
-----------	----------

UNSPSC

UNSPSC 21.0	39121100
-------------	----------

MACX MCR-I20 - Plug



2905680

<https://www.phoenixcontact.com/us/products/2905680>

Environmental product compliance

EU RoHS

Fulfills EU RoHS substance requirements	Yes, No exemptions
---	--------------------

China RoHS

Environment friendly use period (EFUP)	EFUP-50
	An article-related China RoHS declaration table can be found in the download area for the respective article under "Manufacturer declaration". For all articles with EFUP-E, no China RoHS declaration table issued and required.

EU REACH SVHC

REACH candidate substance (CAS No.)	No substance above 0.1 wt%
-------------------------------------	----------------------------

Phoenix Contact 2026 © - all rights reserved

<https://www.phoenixcontact.com>

Phoenix Contact USA
586 Fulling Mill Road
Middletown, PA 17057, United States
(+717) 944-1300
info@phoenixcon.com