

# MINI MCR-2-V8-MOD-RTU - Communication module



2905634

<https://www.phoenixcontact.com/us/products/2905634>

Please be informed that the data shown in this PDF document is generated from our online catalog. Please find the complete data in the user documentation. Our general terms of use for downloads are valid.



Eight MINI Analog Pro signal conditioners and measuring transducers are quickly and easily integrated into a Modbus/RTU network via a communication adapter.

## Product description

Thanks to its innovative plug-in concept, the communication adapter offers a time-saving wiring solution. Eight MINI Analog Pro signal converters can be quickly and easily integrated into a Modbus/RTU network using a communication adapter. Flexible signal combinations and eliminating the need for I/O input cards saves space and money in the control cabinet.

## Commercial data

Item number	2905634
Packing unit	1 pc
Minimum order quantity	1 pc
Sales key	C404
Product key	DK112Z
GTIN	4046356997119
Weight per piece (including packing)	194 g
Weight per piece (excluding packing)	199 g
Customs tariff number	85176200
Country of origin	DE

## Technical data

### Notes

#### Utilization restriction

EMC note	EMC: class A product, see manufacturer's declaration in the download area
----------	---

### Product properties

Product type	Communication module
Product family	MINI Analog Pro

#### Insulation characteristics: GB Standard

Overvoltage category	II
Pollution degree	2

### Electrical properties

Rated insulation voltage	50 V <sub>rms</sub>
Test voltage (Input/output/supply)	0.5 kV
Maximum temperature coefficient	0.01 %
Maximum transmission error	0.1 %

#### Supply

Nominal supply voltage range	12 V ... 24 V
Supply voltage range	9.6 V ... 30 V
Typical current consumption	110 mA (9.6 V DC)
Power consumption	< 1000 mW

### Input data

#### Signal

Number of inputs	8
Configurable/programmable	Yes
Max. voltage input signal	5 V
Current input signal	4 mA ... 20 mA
Max. current input signal	24 mA
Available input sources	floating switch contact Current source
Input resistance current input	50 Ω

### Output data

Protocols supported	Modbus/RTU
Number of outputs	1
Configurable/programmable	Yes
Transmission speed	1.2 kbps 2.4 kbps

# MINI MCR-2-V8-MOD-RTU - Communication module



2905634

<https://www.phoenixcontact.com/us/products/2905634>

	4.8 kbps
	9.6 kbps
	19.2 kbps
	38.4 kbps
	57.6 kbps
	115.2 kbps
Data update rate	15 ms

## Connection data

### Output

Connection method	D-SUB socket strip
Number of positions	9

## Ex data

Ex installation (EPL)	Gc
	Div. 2

## Signaling

Status display	LED (green)
Error indication	Red LED

## Dimensions

Width	51.1 mm
Height	104.1 mm
Depth	56.8 mm

## Material specifications

Color	gray (RAL 7042)
Housing material	PBT 7 % GF V0

## Environmental and real-life conditions

### Ambient conditions

Degree of protection	IP20 (Finger safety)
Ambient temperature (operation)	-40 °C ... 65 °C
Ambient temperature (storage/transport)	-40 °C ... 70 °C
Altitude	≤ 4000 m
Permissible humidity (operation)	5 % ... 95 %
Permissible humidity (storage/transport)	5 % ... 95 %

## Approvals

### CE

Certificate	CE-compliant
-------------	--------------

### ATEX

# MINI MCR-2-V8-MOD-RTU - Communication module



2905634

<https://www.phoenixcontact.com/us/products/2905634>

Identification	Ex II 3 G Ex ec IIC T4 Gc
Certificate	BVS 21 ATEX E 064 X

## UKCA Ex (UKEX)

Identification	Ex II 3 G Ex ec IIC T4 Gc
Certificate	PxCIF21UKEX2905634X

## IECEX

Identification	Ex ec IIC T4 Gc
Certificate	IECEX BVS 21.0071X

## CCC / China-Ex

Identification	Ex ec IIC T4 Gc
Certificate	2022122308115724

## UL, USA/Canada

Identification	UL 508 Listed
	Class I, Div. 2, Groups A, B, C, D T5
	Class I, Zone 2, Group IIC T5

## EAC Ex

Identification	Ex ec IIC T4 Gc
Certificate	BY/112 02.01 TP012 103.01 00081

## EMC data

Electromagnetic compatibility	Conformance with EMC directive
Noise immunity	EN 61000-6-2
Note	When being exposed to interference, there may be minimal deviations.

## Noise emission

Standards/regulations	EN 61000-6-4
-----------------------	--------------

## Standards and regulations

### GB Standard

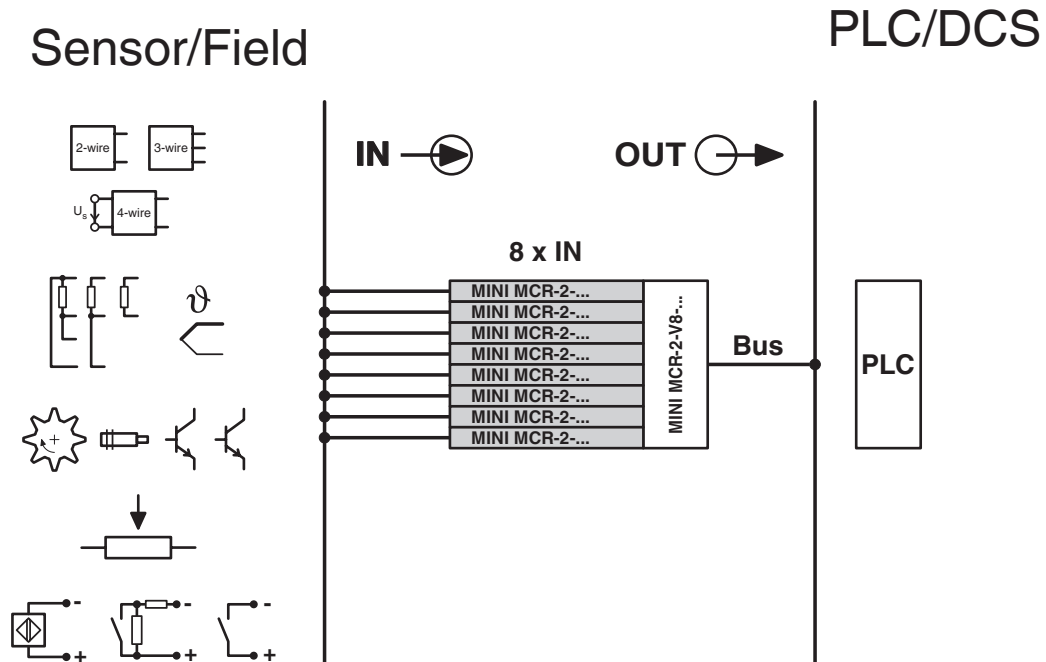
Standards/regulations	GB/T 3836.1
	GB/T 3836.3

## Mounting

Mounting type	Plug-on assembly
Mounting position	any

## Drawings

Block diagram



2905634

<https://www.phoenixcontact.com/us/products/2905634>

## Approvals

To download certificates, visit the product detail page: <https://www.phoenixcontact.com/us/products/2905634>



**EAC**

Approval ID: RU\*DE.\*08.B.01518/19



**UL Listed**

Approval ID: E238705



**cUL Listed**

Approval ID: E238705



**cUL Listed**

Approval ID: E196811



**UL Listed**

Approval ID: E196811



**CCC**

Approval ID: 2022122308115724



**IECEx**

Approval ID: IECExBVS21.0071X



**ATEX**

Approval ID: BVS21ATEXE064X00en

# MINI MCR-2-V8-MOD-RTU - Communication module



2905634

<https://www.phoenixcontact.com/us/products/2905634>

## Classifications

### ECLASS

ECLASS-13.0	27242608
ECLASS-15.0	27242608

### ETIM

ETIM 10.0	EC001604
-----------	----------

### UNSPSC

UNSPSC 21.0	32151600
-------------	----------

2905634

<https://www.phoenixcontact.com/us/products/2905634>

## Environmental product compliance

### EU RoHS

Fulfills EU RoHS substance requirements	Yes
Exemption	6(c), 7(a), 7(c)-I

### China RoHS

Environment friendly use period (EFUP)	EFUP-50
	An article-related China RoHS declaration table can be found in the download area for the respective article under "Manufacturer declaration". For all articles with EFUP-E, no China RoHS declaration table issued and required.

### EU REACH SVHC

REACH candidate substance (CAS No.)	Lead(CAS: 7439-92-1)
SCIP	526f0082-c107-474d-a61b-e9340563998c

Phoenix Contact 2026 © - all rights reserved

<https://www.phoenixcontact.com>

Phoenix Contact USA  
586 Fulling Mill Road  
Middletown, PA 17057, United States  
(+717) 944-1300  
[info@phoenixcon.com](mailto:info@phoenixcon.com)