

MINI MCR-2-RPSS-I-2I - Repeater power supply



2905628

<https://www.phoenixcontact.com/us/products/2905628>

Please be informed that the data shown in this PDF document is generated from our online catalog. Please find the complete data in the user documentation. Our general terms of use for downloads are valid.



4-way power supply doubler with plug-in connection technology. HART-transparent, 0(4) mA ... 20 mA input signal, 0(4) mA ... 20 mA output signals. The device can be used in both signal and power supply doubler modes. Screw connection technology.

Product description

The power supply duplicator with plug-in connection technology supplies the transmitter in the field and electrically isolates the input signal transmitted to two loads. HART data protocols can be transmitted bi-directionally via both outputs. You can use the device in signal and power supply duplicator mode with a transmitter supply voltage of >19.5 V. On the output side, the module can be connected to passive input cards. For a maximum load of ≤ 500 Ω per channel, electrically isolated analog standard signals 0 mA ... 20 mA or 4 mA ... 20 mA are available. The measuring transducer supports fault monitoring and NFC communication.

Commercial data

Item number	2905628
Packing unit	1 pc
Minimum order quantity	1 pc
Sales key	C404
Product key	DK1121
GTIN	4046356999571
Weight per piece (including packing)	126.9 g
Weight per piece (excluding packing)	119.4 g
Customs tariff number	85437090
Country of origin	DE

MINI MCR-2-RPSS-I-2I - Repeater power supply



2905628

<https://www.phoenixcontact.com/us/products/2905628>

Technical data

Notes

Utilization restriction

EMC note	EMC: class A product, see manufacturer's declaration in the download area
----------	---

Product properties

Product type	Repeater power supply
Product family	MINI Analog Pro
No. of channels	2
Configuration	DIP switches

Electrical properties

Electrical isolation	4-way isolation
Electrical isolation between input and output	yes
Limit frequency (3 dB)	> 1 kHz
Signal transmission behavior	In = Out
Step response (10-90%)	< 400 μ s
Maximum temperature coefficient	0.0075 %/K
Maximum transmission error	\leq 0.05 % (of final value 20 mA)

Electrical isolation

Overvoltage category	II
Pollution degree	2

Electrical isolation Input/output/power supply IEC/EN 61010-1

Standards/regulations	IEC/EN 61010-1
Rated insulation voltage	300 V _{rms}
Test voltage	3 kV AC (50 Hz, 60 s)
Insulation	Reinforced insulation

Supply

Nominal supply voltage	24 V DC
Supply voltage range	9.6 V DC ... 30 V DC (The DIN rail connector (ME 6,2 TBUS-2 1,5/5-ST-3,81 GN, item no. 2869728) can be used to bridge the supply voltage. It can be snapped onto a 35 mm DIN rail in accordance with EN 60715)
Typical current consumption	40 mA (For 24 V DC and in signal duplicator mode)
	65 mA (For 24 V DC and in power supply duplicator mode)
	75 mA (For 12 V DC and in signal duplicator mode)
	130 mA (For 12 V DC and in power supply duplicator mode)
Power consumption	1.6 W (at I _{OUT} = 20 mA, 500 Ω load)

Input data

MINI MCR-2-RPSS-I-2I - Repeater power supply



2905628

<https://www.phoenixcontact.com/us/products/2905628>

Signal: Current

Description of the input	Sensor circuit
Number of inputs	1
Current input signal	0 mA ... 20 mA (Signal duplicator mode)
	4 mA ... 20 mA (Power supply and signal duplicator mode)
Input resistance current input	90 Ω (+1.6 V)
Transmitter supply voltage	> 19.5 V

Output data

Signal: Current

Number of outputs	2
Open-circuit voltage	< 20 V
Current output signal	0 mA ... 20 mA (Signal duplicator mode)
	4 mA ... 20 mA (Power supply and signal duplicator mode)
Max. current output signal	25 mA
Load/output load current output	≤ 500 Ω (per channel)
Ripple	< 20 mV _{PP} (500 Ω)

Connection data


Connection method	Screw connection
Stripping length	10 mm
Screw thread	M3
Conductor cross-section rigid	0.2 mm ² ... 1.5 mm ² (with ferrule)
	0.14 mm ² ... 2.5 mm ² (without ferrule)
Conductor cross-section flexible	0.14 mm ² ... 2.5 mm ²
Conductor cross-section AWG	24 ... 12 (flexible)
Tightening torque	0.5 Nm ... 0.6 Nm

Ex data

Ex installation (EPL)	Gc
	Div. 2

Interfaces

Data communication (bypass)

HART function	HART transparency
Protocols supported	HART
Limit frequency (3 dB)	≈  kHz

Signaling

Status display	Green LED (supply voltage)
----------------	----------------------------

Dimensions

Width	6.2 mm
-------	--------

MINI MCR-2-RPSS-I-2I - Repeater power supply



2905628

<https://www.phoenixcontact.com/us/products/2905628>

Height	109.81 mm
Depth	119.2 mm

Material specifications

Color	gray (RAL 7042)
Housing material	PBT
Fire protection for rail vehicles (DIN EN 45545-2) R22	HL 1 - HL 2
Fire protection for rail vehicles (DIN EN 45545-2) R23	HL 1 - HL 2
Fire protection for rail vehicles (DIN EN 45545-2) R24	HL 1 - HL 2

Environmental and real-life conditions

Ambient conditions

Degree of protection	IP20 (not assessed by UL)
Ambient temperature (operation)	-40 °C ... 70 °C
Ambient temperature (storage/transport)	-40 °C ... 85 °C
Altitude	≤ 2000 m
Permissible humidity (operation)	5 % ... 95 % (non-condensing)

Approvals

CE

Certificate	CE-compliant
-------------	--------------

ATEX

Identification	Ⓜ II 3 G Ex ec ic IIC T4 Gc
Certificate	BVS 19 ATEX E 047 X

IECEX

Identification	Ex ec ic IIC T4 Gc
Certificate	IECEX BVS 19.0041X

CCC / China-Ex

Identification	Ex ec ic IIC T4 Gc
Certificate	2022122303115963

UL, USA/Canada

Identification	UL 508 Listed
	Class I, Div. 2, Groups A, B, C, D T5
	Class I, Zone 2, Group IIC T5

Shipbuilding approval

Certificate	DNV GL TAA000021E Rev. 1
-------------	--------------------------

EAC Ex

Identification	Ⓜ Ex ec ic IIC T4 Gc
Certificate	BY/112 02.01 TP012 103.01 00081

Shipbuilding data

MINI MCR-2-RPSS-I-2I - Repeater power supply



2905628

<https://www.phoenixcontact.com/us/products/2905628>

Temperature	B
Humidity	B
Vibration	A
EMC	A
Enclosure	Required protection according to the Rules shall be provided upon installation on board

EMC data

Electromagnetic compatibility	Conformance with EMC directive
Noise immunity	EN 61000-6-2
Note	When being exposed to interference, there may be minimal deviations.

Noise emission

Standards/regulations	EN 61000-6-4
-----------------------	--------------

Electrostatic discharge

Standards/regulations	EN 61000-4-2
-----------------------	--------------

Electrostatic discharge

Comments	Safety measures must be taken to prevent electrostatic discharge.
----------	---

Electromagnetic HF field

Designation	Electromagnetic RF field
Standards/regulations	EN 61000-4-3

Fast transients (burst)

Designation	Fast transients (burst)
Standards/regulations	EN 61000-4-4

Surge current load (surge)

Standards/regulations	EN 61000-4-5
-----------------------	--------------

Conducted interference

Designation	Conducted interferences
Standards/regulations	EN 61000-4-6

Standards and regulations

Electrical isolation	4-way isolation
----------------------	-----------------

GB Standard

Standards/regulations	GB/T 3836.1
	GB/T 3836.3
	GB/T 3836.4

Mounting

Mounting type	DIN rail mounting
---------------	-------------------

MINI MCR-2-RPSS-I-2I - Repeater power supply



2905628

<https://www.phoenixcontact.com/us/products/2905628>

Assembly note	The DIN rail connector can be used for bridging the supply voltage. It can be snapped onto a 35 mm EN 60715 DIN rail.
Mounting position	any

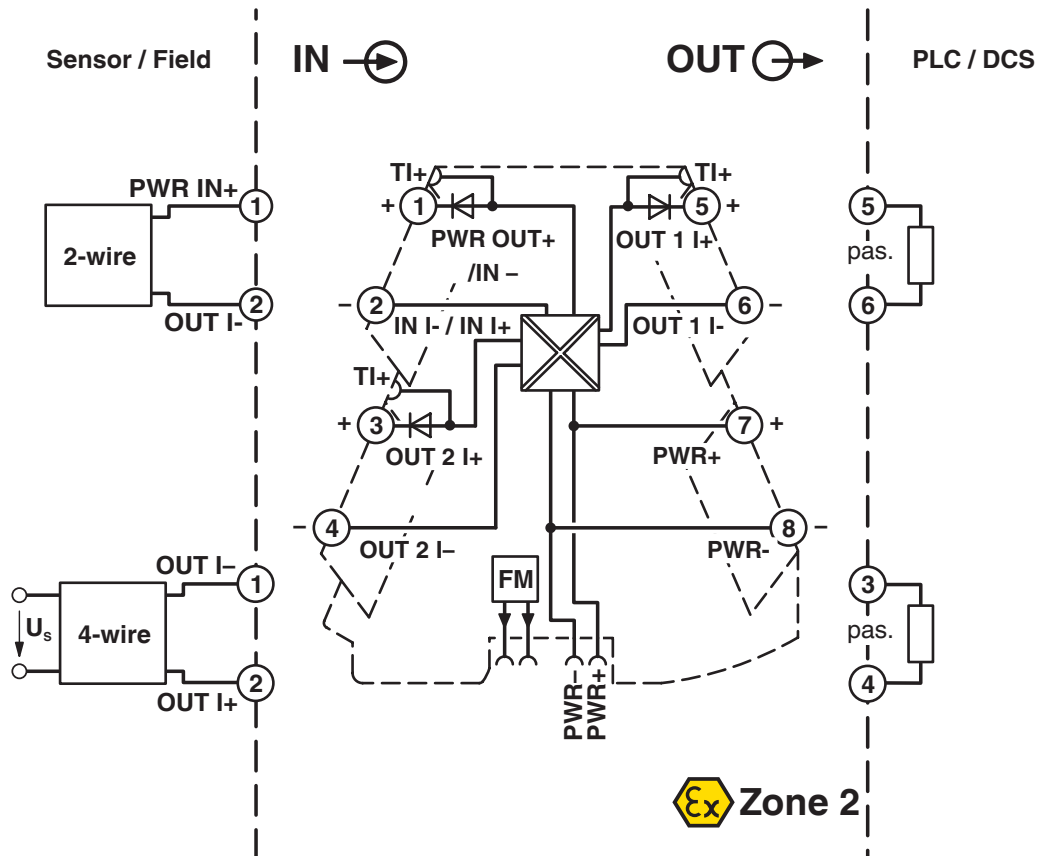
MINI MCR-2-RPSS-I-2I - Repeater power supply

2905628

<https://www.phoenixcontact.com/us/products/2905628>

Drawings

Block diagram



MINI MCR-2-RPSS-I-2I - Repeater power supply



2905628

<https://www.phoenixcontact.com/us/products/2905628>

Approvals

To download certificates, visit the product detail page: <https://www.phoenixcontact.com/us/products/2905628>



EAC

Approval ID: RU*DE.*08.B.01608/19



UL Listed

Approval ID: E238705



cUL Listed

Approval ID: E238705

DNV

Approval ID: TAA000021E



IECEx

Approval ID: IECEx BVS 19.0041X



cUL Listed

Approval ID: FILE E 196811



UL Listed

Approval ID: E196811



ATEX

Approval ID: BVS 19 ATEX E 047 X



EAC Ex

Approval ID: TP012 103.01 00079



CCC

Approval ID: 2022122303115963

MINI MCR-2-RPSS-I-2I - Repeater power supply



2905628

<https://www.phoenixcontact.com/us/products/2905628>

Classifications

ECLASS

ECLASS-13.0	27210120
ECLASS-15.0	27210120

ETIM

ETIM 10.0	EC002653
-----------	----------

UNSPSC

UNSPSC 21.0	39121000
-------------	----------

MINI MCR-2-RPSS-I-2I - Repeater power supply



2905628

<https://www.phoenixcontact.com/us/products/2905628>

Environmental product compliance

EU RoHS

Fulfills EU RoHS substance requirements	Yes
Exemption	7(a), 7(c)-I

China RoHS

Environment friendly use period (EFUP)	EFUP-50
	An article-related China RoHS declaration table can be found in the download area for the respective article under "Manufacturer declaration". For all articles with EFUP-E, no China RoHS declaration table issued and required.

EU REACH SVHC

REACH candidate substance (CAS No.)	Lead(CAS: 7439-92-1)
	2,2',6,6'-tetrabromo-4,4'-isopropylidenediphenol(CAS: 79-94-7)
SCIP	eab46fd0-6b5a-45c0-b31f-dcc5d9d86a88

Phoenix Contact 2026 © - all rights reserved
<https://www.phoenixcontact.com>

Phoenix Contact USA
586 Fulling Mill Road
Middletown, PA 17057, United States
(+717) 944-1300
info@phoenixcon.com