

ST-OV4- 24DC/ 24DC/1-PRO - Solid-state relay



2905572

<https://www.phoenixcontact.com/us/products/2905572>

Please be informed that the data shown in this PDF document is generated from our online catalog. Please find the complete data in the user documentation. Our general terms of use for downloads are valid.



Plug-in power protective circuit solid-state relay, with signal logic, can be plugged into 4-pos. basic terminal blocks, input: 24 V DC, output: short-circuit-proof, 18 - 36 V DC/1 A

Your advantages

- Safe detection and signaling of a wire break on the load side
- Time-dependent overload shutdown for reliable protection against continuous overloads
- Fast short circuit shutdown with simultaneous current limitation
- Feedback in the event of an error
- Brief inrush peaks are ignored
- After an overload or short-circuit has been triggered, a defined reset of the control voltage must be carried out

Commercial data

Item number	2905572
Packing unit	1 pc
Note	Made to order (non-returnable)
Sales key	C460
Product key	DK61B2
GTIN	4017918107604
Weight per piece (including packing)	35.88 g
Weight per piece (excluding packing)	35.88 g
Customs tariff number	85364190
Country of origin	DE

ST-OV4- 24DC/ 24DC/1-PRO - Solid-state relay



2905572

<https://www.phoenixcontact.com/us/products/2905572>

Technical data

Product properties

Product type	Single solid-state relay
Insulation characteristics	
Insulation	Basic insulation
Data management status	
Date of last data management	01.04.2026

Electrical properties

Test voltage (Input/output)	2.5 kV AC (Input/output)
Test voltage (Output / output)	2.5 kV AC (Output / output)

Input data

Nominal input voltage U_N	24 V DC
Input voltage range in reference to U_N	0.5 ... 1.5
Input voltage range	12 V DC ... 36 V DC
Switching threshold "0" signal, voltage	5 V DC
Switching threshold "1" signal voltage	8.5 V DC
Typical input current at U_N	6.5 mA
Typical response time	300 μ s
Typical turn-off time	700 μ s
Status display	LED (yellow)
Operating voltage display	Yellow LED
Protective circuit	Reverse polarity protection; Polarity protection diode
Transmission frequency	100 Hz

Output data

Design of digital output	electronic
Output voltage range	18 V DC ... 36 V DC
Limiting continuous current	1 A (see derating curve)
Min. load current	1 mA
Current limitation at short-circuits	approx. 25 A
Voltage drop at max. limiting continuous current	300 mV
Output circuit	3-conductor, ground-referenced
Error indication	Red LED
Protective circuit	Reverse polarity protection Freewheeling diode; Freewheeling diode
Wire-break message for load current	< 100 μ A
Overload disconnection (~ 1.4 x continuous current)	\leq 100 ms (See the time-current characteristic curve)
Short-circuit disconnection	< 200 μ s (See the time-current characteristic curve)
Output voltage range	5 V DC ... 36 V DC

ST-OV4- 24DC/ 24DC/1-PRO - Solid-state relay



2905572

<https://www.phoenixcontact.com/us/products/2905572>

Limiting continuous current	50 mA
Voltage drop at max. limiting continuous current	≤ 1.5 V
Output circuit	2-conductor, floating
Protective circuit	Reverse polarity protection; Polarity protection diode

Dimensions

Width	27 mm
Height	63.5 mm
Depth	114 mm

Environmental and real-life conditions

Ambient conditions

Ambient temperature (operation)	0 °C ... 60 °C
Ambient temperature (storage/transport)	0 °C ... 70 °C

Standards and regulations

Standards/regulations	IEC 60664
	EN 50178

Mounting

Assembly note	in rows with zero spacing
Mounting position	any

ST-OV4- 24DC/ 24DC/1-PRO - Solid-state relay

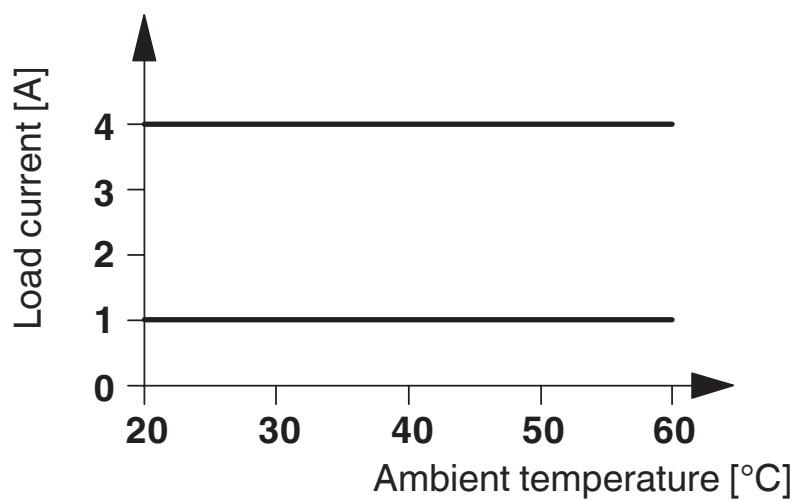
2905572

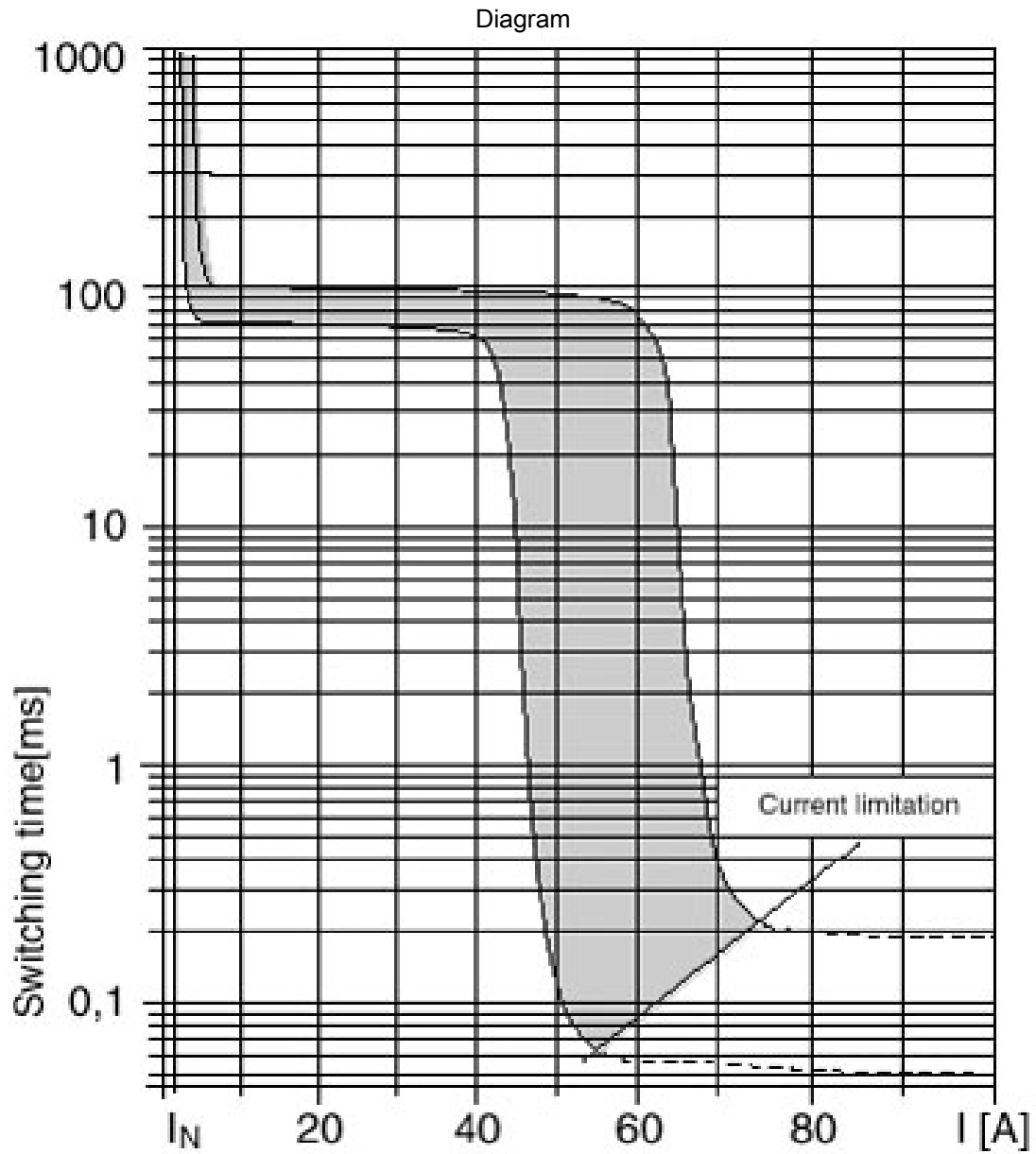
<https://www.phoenixcontact.com/us/products/2905572>



Drawings

Diagram





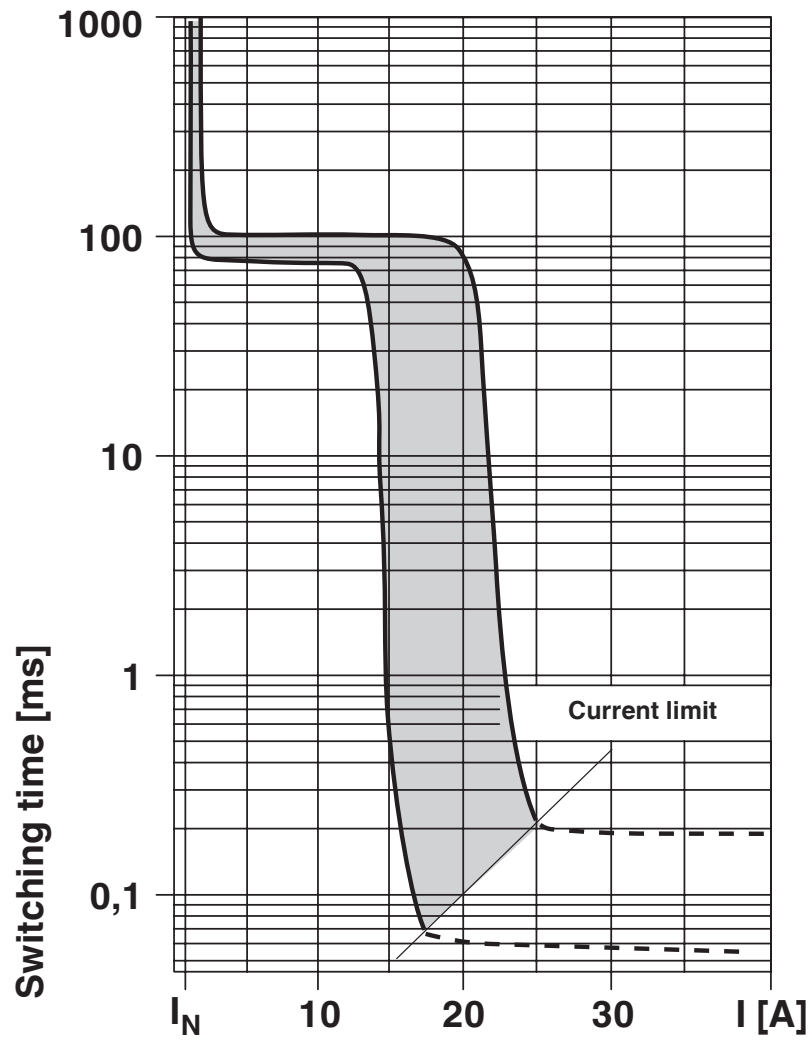
ST-OV4- 24DC/ 24DC/1-PRO - Solid-state relay

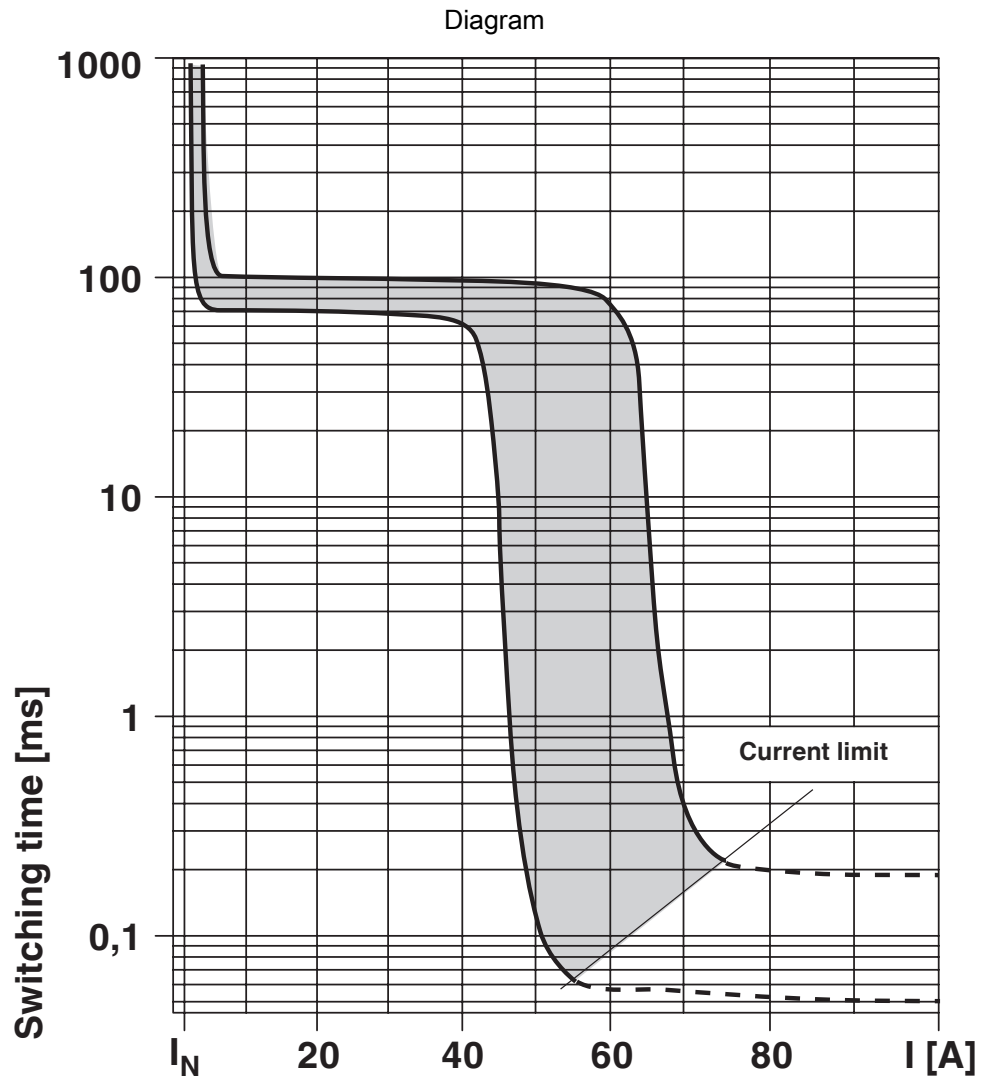
2905572

<https://www.phoenixcontact.com/us/products/2905572>



Diagram



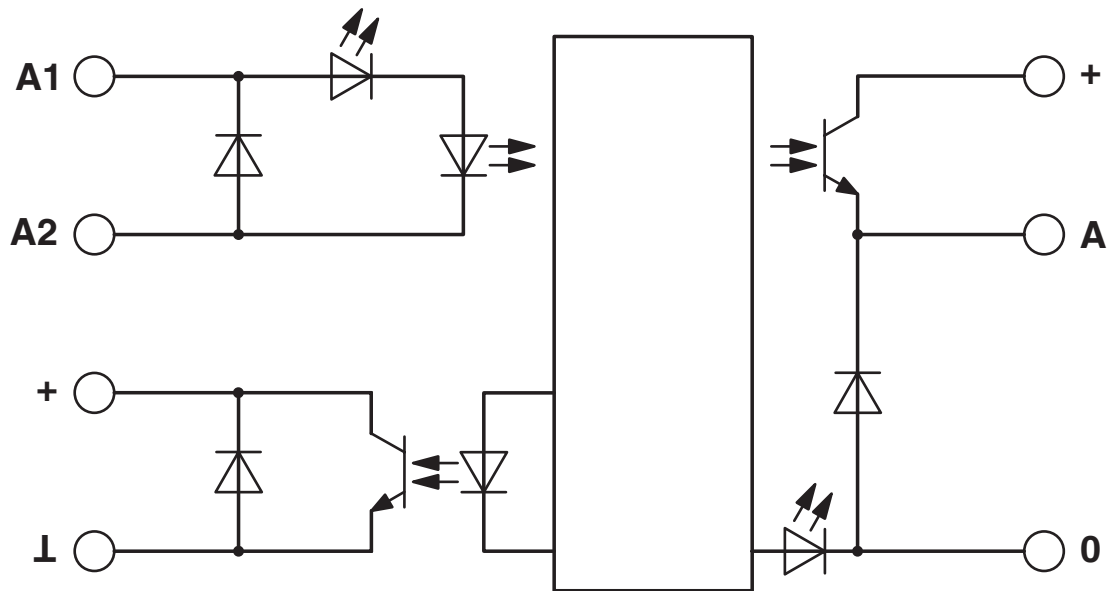


ST-OV4- 24DC/ 24DC/1-PRO - Solid-state relay

2905572

<https://www.phoenixcontact.com/us/products/2905572>

Circuit diagram



1 = protection and signal logic

ST-OV4- 24DC/ 24DC/1-PRO - Solid-state relay



2905572

<https://www.phoenixcontact.com/us/products/2905572>

Environmental product compliance

EU RoHS

Fulfills EU RoHS substance requirements	Yes, No exemptions
---	--------------------

China RoHS

Environment friendly use period (EFUP)	EFUP-50
	An article-related China RoHS declaration table can be found in the download area for the respective article under "Manufacturer declaration". For all articles with EFUP-E, no China RoHS declaration table issued and required.

EU REACH SVHC

REACH candidate substance (CAS No.)	No substance above 0.1 wt%
-------------------------------------	----------------------------

Phoenix Contact 2026 © - all rights reserved

<https://www.phoenixcontact.com>

Phoenix Contact USA
586 Fulling Mill Road
Middletown, PA 17057, United States
(+717) 944-1300
info@phoenixcon.com