

ELR H5-I-SC-24DC/500AC-2-L - Hybrid motor starter



2905513

<https://www.phoenixcontact.com/us/products/2905513>

Please be informed that the data shown in this PDF document is generated from our online catalog. Please find the complete data in the user documentation. Our general terms of use for downloads are valid.



Hybrid motor starter, for reversing 3~ AC motors up to 550 V AC/2.4 A, 24 V DC input, class 10 tripping characteristic, overload function, without symmetry monitoring, and without phase failure and underload detection. 1-phase motors can be switched.

Commercial data

| | |
|--------------------------------------|---------------|
| Item number | 2905513 |
| Packing unit | 1 pc |
| Minimum order quantity | 1 pc |
| Sales key | C470 |
| Product key | DK7422 |
| GTIN | 4046356964715 |
| Weight per piece (including packing) | 256.21 g |
| Weight per piece (excluding packing) | 217.18 g |
| Customs tariff number | 85371098 |
| Country of origin | DE |

ELR H5-I-SC-24DC/500AC-2-L - Hybrid motor starter



2905513

<https://www.phoenixcontact.com/us/products/2905513>

Technical data

Product properties

| | |
|----------------|-----------------------|
| Product type | Hybrid motor starters |
| Product family | CONTACTRON |
| Operating mode | 100% operating factor |

Electrical properties

| | |
|---|-------------------------|
| Number of phases | 3 |
| Motor starter type | Reversing starter |
| Switching frequency | ≤ 2 Hz (Load-dependent) |
| Maximum power dissipation for nominal condition | 2.2 W |
| Switching frequency | ≤ 2 Hz (Load-dependent) |
| Maximum power dissipation | 3.3 W |
| Minimum power dissipation | 1.1 W |
| Coordination type | 1 |

Supply

| | |
|--|---|
| Rated control circuit supply voltage U_S | 24 V DC |
| Control supply voltage range | 19.2 V DC ... 30 V DC |
| Rated control supply current I_S | 40 mA |
| Protective circuit | Surge protection Reverse polarity protection |

Insulation characteristics

| | |
|--|---|
| Rated insulation voltage | 500 V |
| Rated surge voltage | 6 kV |
| Overvoltage category | III |
| Degree of pollution | 2 |
| Insulation characteristics between the control input and control supply voltage, and auxiliary circuit to the main circuit | Safe isolation (IEC 60947-1) at operating voltage ≤ 300 V AC Basic insulation (IEC 60947-1) at operating voltage 300 V AC ... 500 V AC |
| Isolation characteristics between the control input and control supply voltage to auxiliary circuit | Safe isolation (IEC 60947-1) in the auxiliary circuit ≤ 300 V AC |

Input data

Control

| | |
|-------------------------------|---|
| Input name | Control input right/left |
| Rated actuating voltage U_C | 24 V DC |
| Triggering voltage range | 19.2 V DC ... 30 V DC |
| Rated actuating current I_C | 5 mA (Input type 1) |
| Switching threshold | 9.6 V ("0" signal) 19.2 V ("1" signal) |
| Typical turn-off time | < 30 ms |

ELR H5-I-SC-24DC/500AC-2-L - Hybrid motor starter



2905513

<https://www.phoenixcontact.com/us/products/2905513>

| | |
|--------------------|-----------------------------|
| Protective circuit | Reverse polarity protection |
|--------------------|-----------------------------|

Output data

AC output

| | |
|---|------------------------------------|
| Rated operating voltage U_e | 500 V AC |
| Operating voltage range | 42 V AC ... 550 V AC |
| Rated operating current I_e | 2.4 A (AC-51) 2.4 A (AC-53a) |
| Mains frequency | 50/60 Hz |
| Load current range | 180 mA ... 2.4 A (see to derating) |
| Trigger characteristic in acc. with IEC 60947-4-2 | Class 10 |
| Cooling time | 20 min (for auto reset) |
| Leakage current | 0 mA |
| Protective circuit | Surge protection |

Acknowledge output

| | |
|---|--|
| Note | Confirmation: floating change-over contact, signal contact |
| Switching capacity in accordance with IEC 60947-5-1 | 3 A (230 V, AC15) 2 A (24 V (DC13)) |

Connection data

Control circuits

| | |
|----------------------------------|--|
| Connection method | Screw connection |
| Stripping length | 8 mm |
| Screw thread | M3 |
| Conductor cross-section rigid | 0.2 mm ² ... 2.5 mm ² |
| Conductor cross-section flexible | 0.2 mm ² ... 2.5 mm ² |
| Conductor cross-section AWG | 24 ... 14 |
| Tightening torque | 0.5 Nm ... 0.6 Nm 5 lb _f -in. ... 7 lb _f -in. |

Load circuit

| | |
|----------------------------------|--|
| Connection method | Screw connection |
| Stripping length | 8 mm |
| Screw thread | M3 |
| Conductor cross-section rigid | 0.2 mm ² ... 2.5 mm ² |
| Conductor cross-section flexible | 0.2 mm ² ... 2.5 mm ² |
| Conductor cross-section AWG | 24 ... 14 |
| Tightening torque | 0.5 Nm ... 0.6 Nm 5 lb _f -in. ... 7 lb _f -in. |

Signaling

| | |
|---------------------------|--------------|
| Status display | LED (yellow) |
| Operating voltage display | Green LED |

ELR H5-I-SC-24DC/500AC-2-L - Hybrid motor starter



2905513

<https://www.phoenixcontact.com/us/products/2905513>

| | |
|------------------|---------|
| Error indication | Red LED |
|------------------|---------|

Dimensions

| | |
|--------|---------|
| Width | 22.5 mm |
| Height | 107 mm |
| Depth | 114 mm |

Material specifications

| | |
|--|--------------|
| Flammability rating according to UL 94 (Housing) | V0 (Housing) |
|--|--------------|

Environmental and real-life conditions

Ambient conditions

| | |
|---|-------------------------------------|
| Degree of protection | IP20 |
| Ambient temperature (operation) | -25 °C ... 70 °C (observe derating) |
| Ambient temperature (storage/transport) | -40 °C ... 80 °C |
| Altitude | ≤ 2000 m |

Approvals

UL approval

| | |
|-------------|--------------|
| Certificate | NLDX.E228652 |
|-------------|--------------|

UL data

| | |
|--------------------|--|
| SCCR | 100 kA (500 V AC (fuse: 30 A class CC/30 A class J (high fault))) |
| | 5 kA (500 V AC (fuse: 20 A RK5 (standard fault))) |
| FLA | 2.4 A (500 V AC) |
| Group installation | 20 A (class RK5, SCCR 5kA, #24 - 14 AWG max. solid and stranded) |
| | 30 A (class CC or J, SCCR 100kA, #24 - 14 AWG max, solid and stranded) |
| Category code | NLDX / NRNT |

Standards and regulations

Standards/regulations

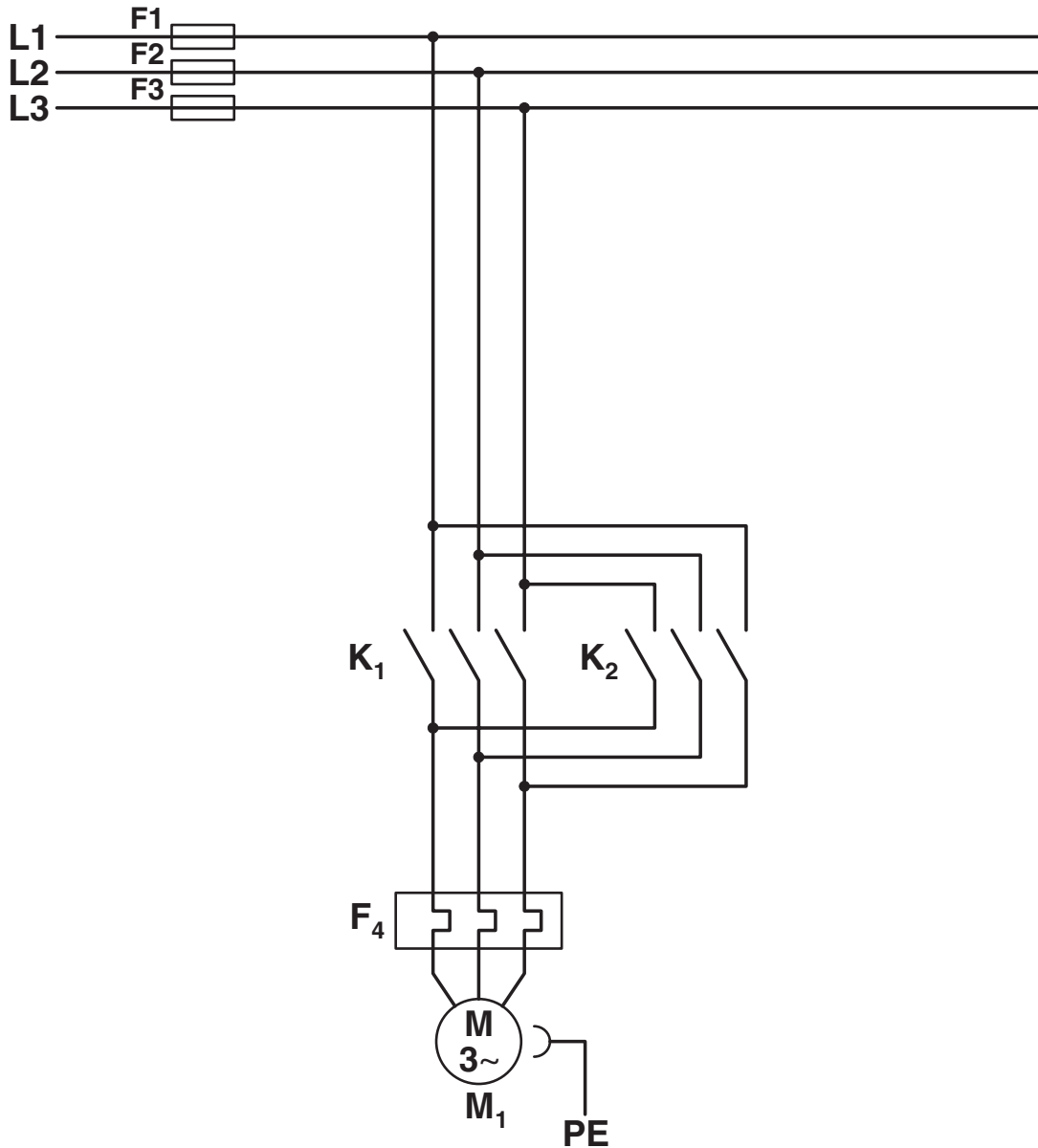
| | |
|-----------------------|---------------|
| Standards/regulations | IEC 60947-1 |
| | IEC 60947-4-2 |
| | IEC 61508 |
| | ISO 13849 |

Mounting

| | |
|-------------------|--|
| Mounting type | DIN rail mounting |
| Assembly note | alignable, for spacing see derating |
| Mounting position | vertical (horizontal DIN rail, motor output below) |

Drawings

Circuit diagram



Conventional structure

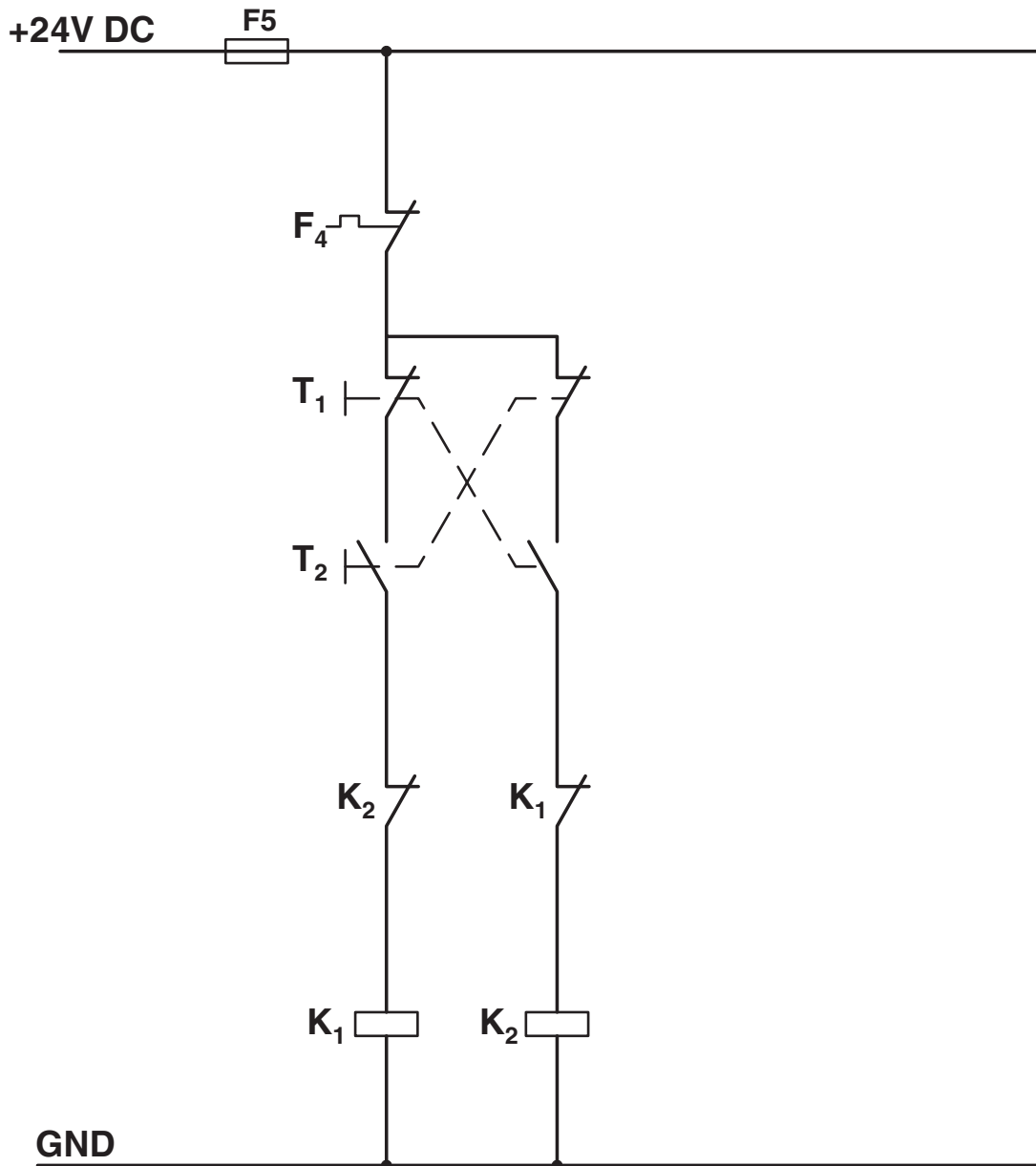
Main current path contactor

K1 = Left contactor

K2 = Right contactor

F4 = Motor protection relay

Circuit diagram



Conventional structure

Control current path contactor

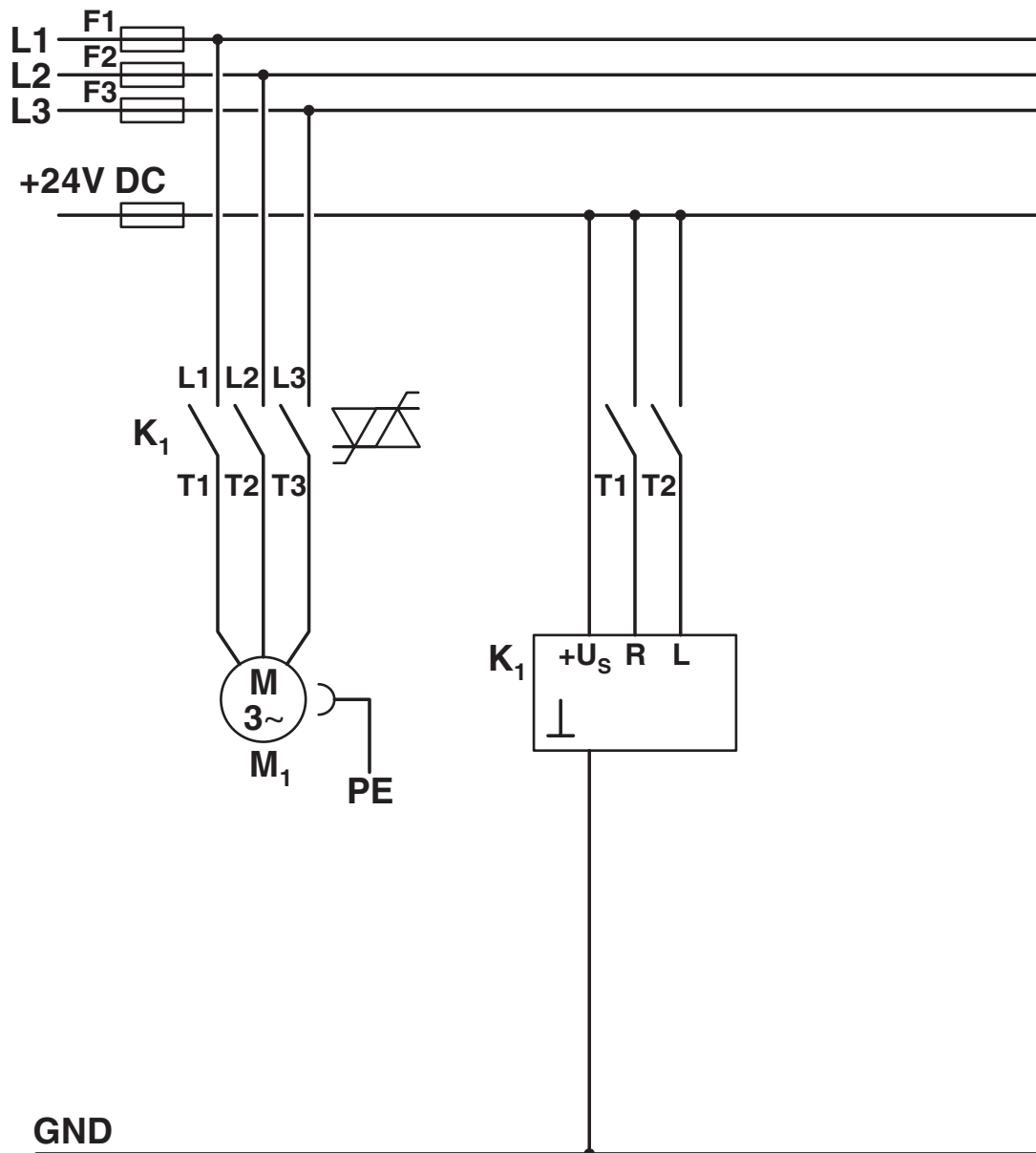
K1 = Left contactor

K2 = Right contactor

T1 = Left, T2 = Right

F4 = Motor protection relay

Circuit diagram



Structure with CONTACTRON

Main and control current path for '3 in 1' hybrid motor starter

K1 = '3 in 1' hybrid motor starter

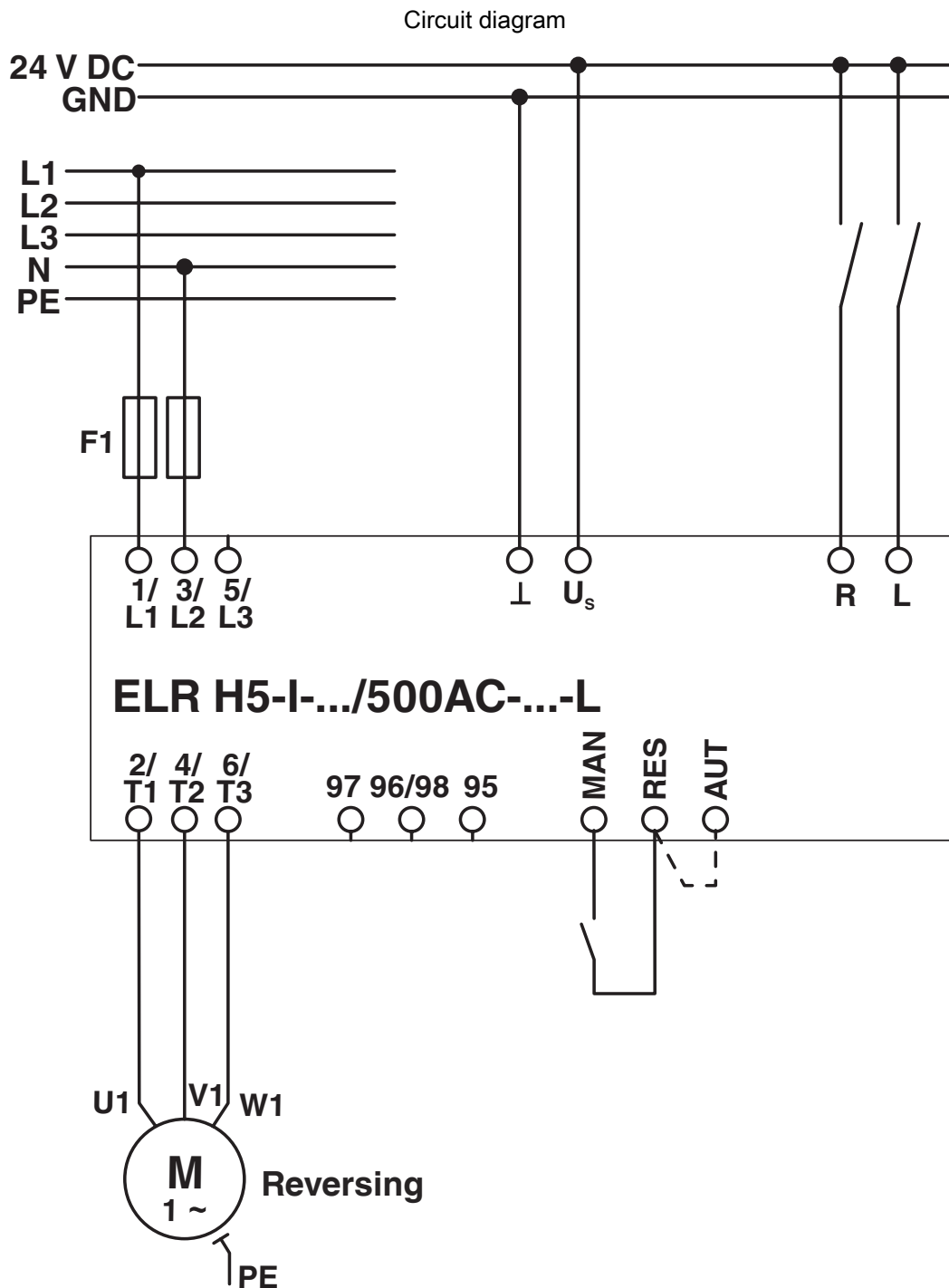
T1 = Right, T2 = Left

ELR H5-I-SC-24DC/500AC-2-L - Hybrid motor starter

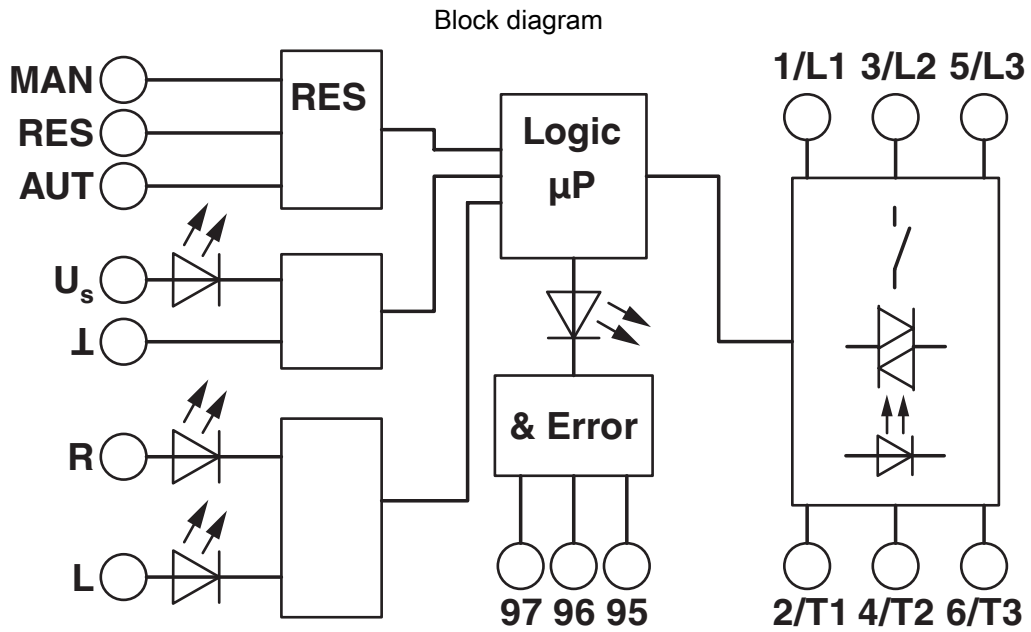


2905513

<https://www.phoenixcontact.com/us/products/2905513>



Example circuit for reversing 1-phase motors



ELR H5-I-SC-24DC/500AC-2-L - Hybrid motor starter



2905513

<https://www.phoenixcontact.com/us/products/2905513>

Approvals

To download certificates, visit the product detail page: <https://www.phoenixcontact.com/us/products/2905513>



EAC

Approval ID: RU*C-DE.*08.B.00520*



UL Listed

Approval ID: FILE E 323771



CCC

Approval ID: 2016010304871315



cUL Listed

Approval ID: FILE E 323771



cUL Listed

Approval ID: E228652



UL Listed

Approval ID: E228652

ELR H5-I-SC-24DC/500AC-2-L - Hybrid motor starter



2905513

<https://www.phoenixcontact.com/us/products/2905513>

Classifications

ECLASS

| | |
|-------------|----------|
| ECLASS-13.0 | 27370905 |
| ECLASS-15.0 | 27370905 |

ETIM

| | |
|-----------|----------|
| ETIM 10.0 | EC001037 |
|-----------|----------|

UNSPSC

| | |
|-------------|----------|
| UNSPSC 21.0 | 25173900 |
|-------------|----------|

ELR H5-I-SC-24DC/500AC-2-L - Hybrid motor starter



2905513

<https://www.phoenixcontact.com/us/products/2905513>

Environmental product compliance

EU RoHS

| | |
|---|--------------|
| Fulfills EU RoHS substance requirements | Yes |
| Exemption | 7(a), 7(c)-I |

China RoHS

| | |
|--|---|
| Environment friendly use period (EFUP) | EFUP-50 |
| | An article-related China RoHS declaration table can be found in the download area for the respective article under "Manufacturer declaration". For all articles with EFUP-E, no China RoHS declaration table issued and required. |

EU REACH SVHC

| | |
|-------------------------------------|--|
| REACH candidate substance (CAS No.) | 1-Methyl-2-pyrrolidone (NMP)(CAS: 872-50-4) |
| | Lead(CAS: 7439-92-1) |
| | 2,2',6,6'-tetrabromo-4,4'-isopropylidenediphenol(CAS: 79-94-7) |
| SCIP | 4d786258-c05b-4dd9-8d98-47ea32173921 |

Phoenix Contact 2026 © - all rights reserved
<https://www.phoenixcontact.com>

Phoenix Contact USA
586 Fulling Mill Road
Middletown, PA 17057, United States
(+717) 944-1300
info@phoenixcon.com