

PT-IQ-5-EX-BE-UT - Surge protection base-element

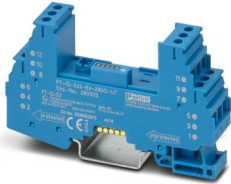


2905497

<https://www.phoenixcontact.com/us/products/2905497>

Please be informed that the data shown in this PDF document is generated from our online catalog. Please find the complete data in the user documentation. Our general terms of use for downloads are valid.

Base element for protective plug PLUGTRAB PT-IQ-2X2-EX



Product description

DIN rail connector not included with delivery of PT-IQ basic element (PT-IQ-17,5-TBUS-5-2.0). Required DIN rail connectors must be ordered separately.

Commercial data

Item number	2905497
Packing unit	1 pc
Minimum order quantity	1 pc
Sales key	CL22
Product key	CL2152
GTIN	4046356958189
Weight per piece (including packing)	90.5 g
Weight per piece (excluding packing)	62 g
Customs tariff number	85363010
Country of origin	DE

PT-IQ-5-EX-BE-UT - Surge protection base-element

2905497

<https://www.phoenixcontact.com/us/products/2905497>

Technical data

Notes

General

Note	This item is a replacement base element for accommodating surge protection plugs from the PLUGTRAB PT-IQ product family (note compatibility).
	The base element contains the contacts that convey the remote signaling and power supply to the protective plug.

Product properties

Product type	Base element
Product family	PLUGTRAB IQ
Type	Base element, DIN rail mounting
Number of positions	5

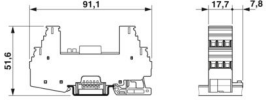
Insulation characteristics

Overvoltage category	III
Pollution degree	2

Connection data

Connection method	Screw connection
Screw thread	M3
Tightening torque	0.5 Nm
Conductor cross-section flexible	0.2 mm ² ... 2.5 mm ²
Conductor cross-section rigid	0.2 mm ² ... 4 mm ²
Conductor cross-section AWG	24 ... 14

Dimensions

Dimensional drawing	
Width	17.7 mm
Height	91.1 mm
Depth	51.6 mm
Horizontal pitch	1 Div.

Material specifications

Color	blue (RAL 5015) gray (RAL 7042)
Flammability rating according to UL 94	V-0
Housing material	PA 6.6

Mechanical properties

PT-IQ-5-EX-BE-UT - Surge protection base-element



2905497

<https://www.phoenixcontact.com/us/products/2905497>

Mechanical data

Open side panel	No
-----------------	----

Protective circuit

Rated current	350 mA
Resistance per path	1.2 Ω \pm 5 %
Surge protection fault message	none

Environmental and real-life conditions

Ambient conditions

Degree of protection	IP20 (with inserted protective plug)
Ambient temperature (operation)	-40 °C ... 70 °C
Ambient temperature (storage/transport)	-40 °C ... 85 °C
Altitude	\leq 2000 m (amsl)

Standards and regulations

Standards/specifications	EN 61643-21
Note	A2:2013
Standards/specifications	IEC 61643-21
Note	A2:2012
Standards/specifications	EN 60079-0
Note	2018
Standards/specifications	EN 60079-11
Note	2012
Standards/specifications	EN 60079-15
Note	2010
Standards/specifications	IEC 60079-0
Note	2017
Standards/specifications	IEC 60079-11
Note	2011
Standards/specifications	IEC 60079-15
Note	2010
Standards/specifications	GB/T 3836.1
Note	2021
Standards/specifications	GB/T 3836.3
Note	2021
Standards/specifications	GB/T 3836.4
Note	2021
Standards/specifications	GB/T 3836.8
Note	2021

Mounting

Mounting type	DIN rail: 35 mm
---------------	-----------------

PT-IQ-5-EX-BE-UT - Surge protection base-element

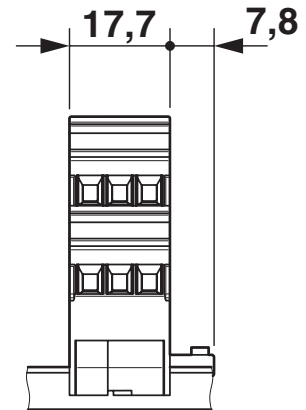
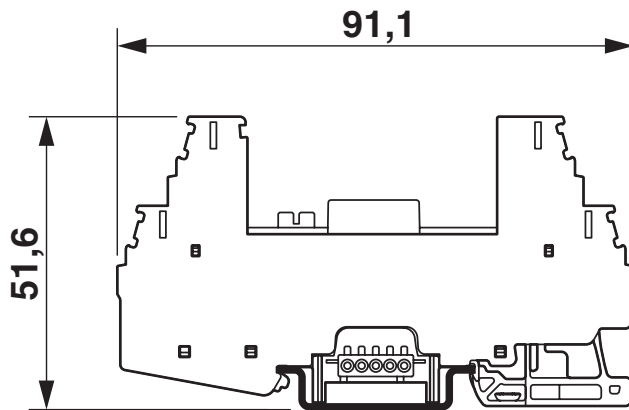


2905497

<https://www.phoenixcontact.com/us/products/2905497>

Drawings

Dimensional drawing



2905497

<https://www.phoenixcontact.com/us/products/2905497>

Approvals

To download certificates, visit the product detail page: <https://www.phoenixcontact.com/us/products/2905497>



UL Listed

Approval ID: FILE E 138168



IECEX

Approval ID: IECEX BVS 14.0017X



cUL Listed

Approval ID: FILE E 333250



UL Listed

Approval ID: FILE E 333250



ATEX

Approval ID: BVS 14 ATEX E 020 X



NEPSI-EX

Approval ID: GYJ20.1158X



CCC

Approval ID: 2020322316001010



UKCA-EX

Approval ID: DEKRA 23UKEX0111X

PT-IQ-5-EX-BE-UT - Surge protection base-element



2905497

<https://www.phoenixcontact.com/us/products/2905497>

Classifications

ECLASS

ECLASS-13.0	27171502
ECLASS-15.0	27171502

ETIM

ETIM 10.0	EC001625
-----------	----------

UNSPSC

UNSPSC 21.0	39121600
-------------	----------

2905497

<https://www.phoenixcontact.com/us/products/2905497>

Environmental product compliance

EU RoHS

Fulfills EU RoHS substance requirements	Yes
Exemption	6(c), 7(c)-I

China RoHS

Environment friendly use period (EFUP)	EFUP-50
	An article-related China RoHS declaration table can be found in the download area for the respective article under "Manufacturer declaration". For all articles with EFUP-E, no China RoHS declaration table issued and required.

EU REACH SVHC

REACH candidate substance (CAS No.)	Lead(CAS: 7439-92-1)
SCIP	d0b4f570-af65-4e23-b0a7-ce2d95fac139

Phoenix Contact 2026 © - all rights reserved

<https://www.phoenixcontact.com>

Phoenix Contact USA
586 Fulling Mill Road
Middletown, PA 17057, United States
(+717) 944-1300
info@phoenixcon.com