

# PT-IQ-3-EX-BE-UT - Surge protection base-element

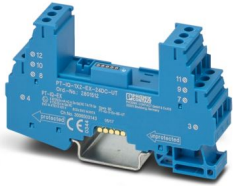


2905496

<https://www.phoenixcontact.com/us/products/2905496>

Please be informed that the data shown in this PDF document is generated from our online catalog. Please find the complete data in the user documentation. Our general terms of use for downloads are valid.

Base element for protective plug PLUGTRAB PT-IQ-1X2-EX



## Product description

DIN rail connector not included with delivery of PT-IQ basic element (PT-IQ-17,5-TBUS-5-2.0). Required DIN rail connectors must be ordered separately.

## Commercial data

Item number	2905496
Packing unit	1 pc
Minimum order quantity	1 pc
Sales key	CL22
Product key	CL2152
GTIN	4046356958172
Weight per piece (including packing)	89.2 g
Weight per piece (excluding packing)	89.2 g
Customs tariff number	85363010
Country of origin	DE

# PT-IQ-3-EX-BE-UT - Surge protection base-element



2905496

<https://www.phoenixcontact.com/us/products/2905496>

## Technical data

### Notes

#### General

Note	This item is a replacement base element for accommodating surge protection plugs from the PLUGTRAB PT-IQ product family (note compatibility).
	The base element contains the contacts that convey the remote signaling and power supply to the protective plug.

### Product properties

Product type	Base element
Product family	PLUGTRAB IQ
Type	Base element, DIN rail mounting
Number of positions	3

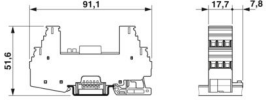
#### Insulation characteristics

Overvoltage category	III
Pollution degree	2

### Connection data

Connection method	Screw connection
Screw thread	M3
Tightening torque	0.5 Nm
Conductor cross-section flexible	0.2 mm <sup>2</sup> ... 2.5 mm <sup>2</sup>
Conductor cross-section rigid	0.2 mm <sup>2</sup> ... 4 mm <sup>2</sup>
Conductor cross-section AWG	24 ... 14

### Dimensions

Dimensional drawing	
Width	17.7 mm
Height	91.1 mm
Depth	51.6 mm
Horizontal pitch	1 Div.

### Material specifications

Color	blue (RAL 5015) gray (RAL 7042)
Flammability rating according to UL 94	V-0
Housing material	PA 6.6

### Mechanical properties

# PT-IQ-3-EX-BE-UT - Surge protection base-element



2905496

<https://www.phoenixcontact.com/us/products/2905496>

## Mechanical data

Open side panel	No
-----------------	----

## Protective circuit

Rated current	350 mA
Resistance per path	1.2 $\Omega$ $\pm$ 5 %
Surge protection fault message	none

## Environmental and real-life conditions

### Ambient conditions

Degree of protection	IP20 (with inserted protective plug)
Ambient temperature (operation)	-40 °C ... 70 °C
Ambient temperature (storage/transport)	-40 °C ... 85 °C
Altitude	$\leq$ 2000 m (amsl)

## Standards and regulations

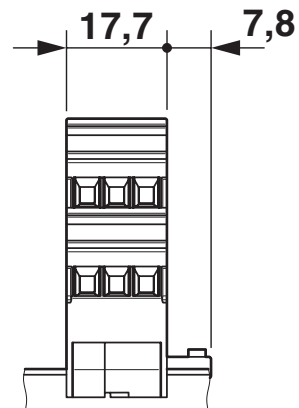
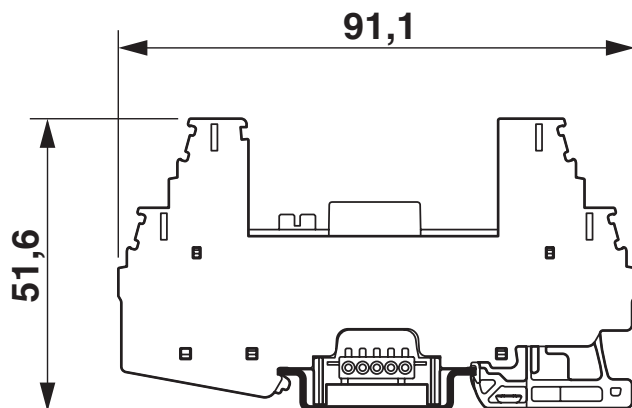
Standards/specifications	EN 61643-21
Note	A2:2013
Standards/specifications	IEC 61643-21
Note	A2:2012
Standards/specifications	EN 60079-0
Note	2018
Standards/specifications	EN 60079-11
Note	2012
Standards/specifications	EN 60079-15
Note	2010
Standards/specifications	IEC 60079-0
Note	2017
Standards/specifications	IEC 60079-11
Note	2011
Standards/specifications	IEC 60079-15
Note	2010
Standards/specifications	GB/T 3836.1
Note	2021
Standards/specifications	GB/T 3836.3
Note	2021
Standards/specifications	GB/T 3836.4
Note	2021
Standards/specifications	GB/T 3836.8
Note	2021

## Mounting

Mounting type	DIN rail: 35 mm
---------------	-----------------

## Drawings

Dimensional drawing



2905496

<https://www.phoenixcontact.com/us/products/2905496>

## Approvals

To download certificates, visit the product detail page: <https://www.phoenixcontact.com/us/products/2905496>



### UL Listed

Approval ID: FILE E 138168



### IECEX

Approval ID: IECEx BVS 14.0017X



### cUL Listed

Approval ID: FILE E 333250



### UL Listed

Approval ID: FILE E 333250



### ATEX

Approval ID: BVS 14 ATEX E 020 X



### NEPSI-EX

Approval ID: GYJ20.1158X



### CCC

Approval ID: 2020322316001010



### UKCA-EX

Approval ID: DEKRA 23UKEX0111X

2905496

<https://www.phoenixcontact.com/us/products/2905496>

## Classifications

### ECLASS

ECLASS-13.0	27171502
ECLASS-15.0	27171502

### ETIM

ETIM 10.0	EC001466
-----------	----------

### UNSPSC

UNSPSC 21.0	39121600
-------------	----------

2905496

<https://www.phoenixcontact.com/us/products/2905496>

## Environmental product compliance

### EU RoHS

Fulfills EU RoHS substance requirements	Yes
Exemption	6(c), 7(c)-I

### China RoHS

Environment friendly use period (EFUP)	EFUP-50
	An article-related China RoHS declaration table can be found in the download area for the respective article under "Manufacturer declaration". For all articles with EFUP-E, no China RoHS declaration table issued and required.

### EU REACH SVHC

REACH candidate substance (CAS No.)	Lead(CAS: 7439-92-1)
SCIP	db91a27e-837d-43f0-bb9b-ec91a2f7cacb

Phoenix Contact 2026 © - all rights reserved

<https://www.phoenixcontact.com>

Phoenix Contact USA  
586 Fulling Mill Road  
Middletown, PA 17057, United States  
(+717) 944-1300  
[info@phoenixcon.com](mailto:info@phoenixcon.com)