

ST-OV2- 12DC/ 24DC/5 - Solid-state relay



2905488

<https://www.phoenixcontact.com/us/products/2905488>

Please be informed that the data shown in this PDF document is generated from our online catalog. Please find the complete data in the user documentation. Our general terms of use for downloads are valid.



Plug-in power solid-state relay, with LED and protective circuit in input and output circuits, input: 12 V DC, output: 3 - 30 V DC/max. 5 A, can be plugged into basic terminal blocks

The figure shows version ST-OV
2- 5 DC/ 24 DC/5

Commercial data

Item number	2905488
Packing unit	1 pc
Note	Made to order (non-returnable)
Sales key	C460
Product key	DK61B2
GTIN	4017918079437
Weight per piece (including packing)	42.65 g
Weight per piece (excluding packing)	42.65 g
Customs tariff number	85364190
Country of origin	DE

ST-OV2- 12DC/ 24DC/5 - Solid-state relay



2905488

<https://www.phoenixcontact.com/us/products/2905488>

Technical data

Notes

Utilization restriction

EMC note	EMC: class A product, see manufacturer's declaration in the download area
----------	---

Product properties

Product type	Single solid-state relay
--------------	--------------------------

Data management status

Date of last data management	01.04.2026
------------------------------	------------

Electrical properties

Test voltage (Input/output)	2.5 kV AC (Input/output)
-----------------------------	--------------------------

Input data

Nominal input voltage U_N	12 V DC
Input voltage range in reference to U_N	0.8 ... 1.2
Input voltage range	9.6 V DC ... 14.4 V DC
Switching threshold "0" signal in reference to U_N	≤ 0.4
Switching threshold "1" signal in reference to U_N	≥ 0.8
Typical input current at U_N	9 mA
Typical response time	50 μ s
Typical turn-off time	200 μ s
Status display	LED (yellow)
Protective circuit	Reverse polarity protection; Polarity protection diode Surge protection
Transmission frequency	300 Hz

Output data

Design of digital output	electronic
Output voltage range	3 V DC ... 30 V DC
Limiting continuous current	5 A (see derating curve)
Peak offstate voltage	30 V DC (Collector-emitter reverse voltage)
Voltage drop at max. limiting continuous current	0.3 V
Output circuit	2-conductor, floating
Protective circuit	Reverse polarity protection; Polarity protection diode Surge protection

Dimensions

Width	14.6 mm
Height	33 mm
Depth	66.5 mm

ST-OV2- 12DC/ 24DC/5 - Solid-state relay



2905488

<https://www.phoenixcontact.com/us/products/2905488>

Material specifications

Color	green (RAL 6021)
-------	------------------

Environmental and real-life conditions

Ambient conditions

Ambient temperature (operation)	-20 °C ... 60 °C
Ambient temperature (storage/transport)	-20 °C ... 70 °C

Standards and regulations

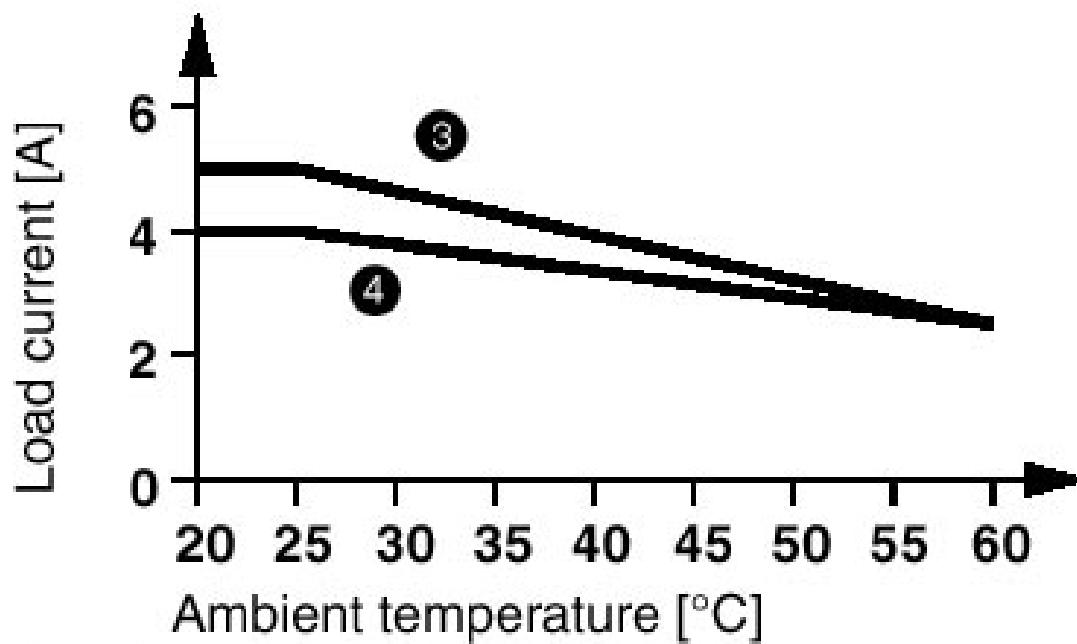
Standards/regulations	IEC 60664
	IEC 60664A
	DIN VDE 0110

Mounting

Mounting position	any
-------------------	-----

Drawings

Diagram



- ③ power optocouplers mounted in rows with zero spacing, horizontally, or with spacing of > 10 mm, vertically.
- ④ power optocouplers mounted in rows with zero spacing, vertically.

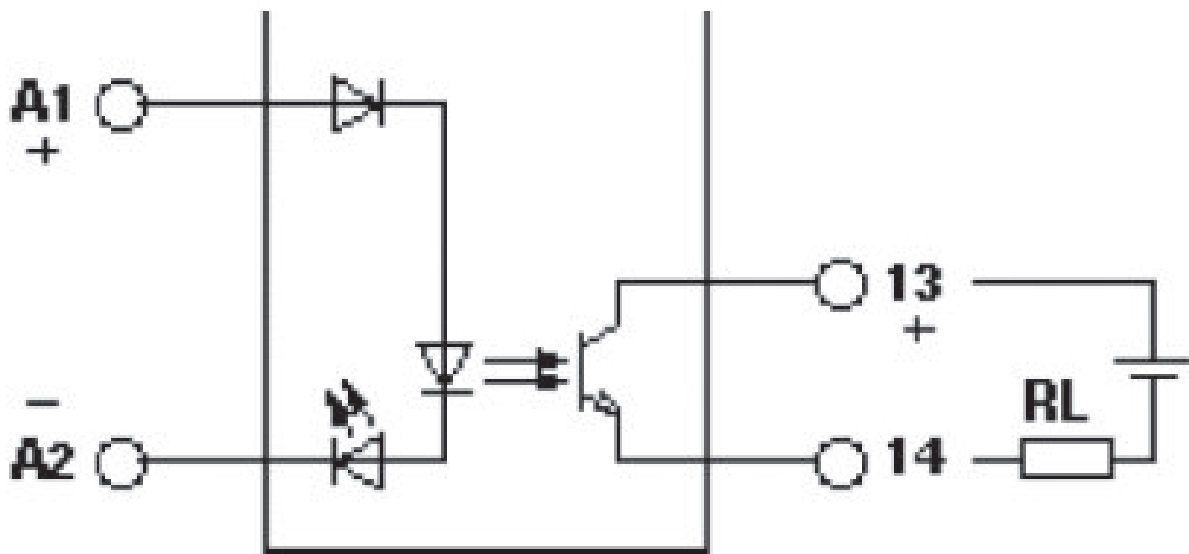
ST-OV2- 12DC/ 24DC/5 - Solid-state relay



2905488

<https://www.phoenixcontact.com/us/products/2905488>

Circuit diagram



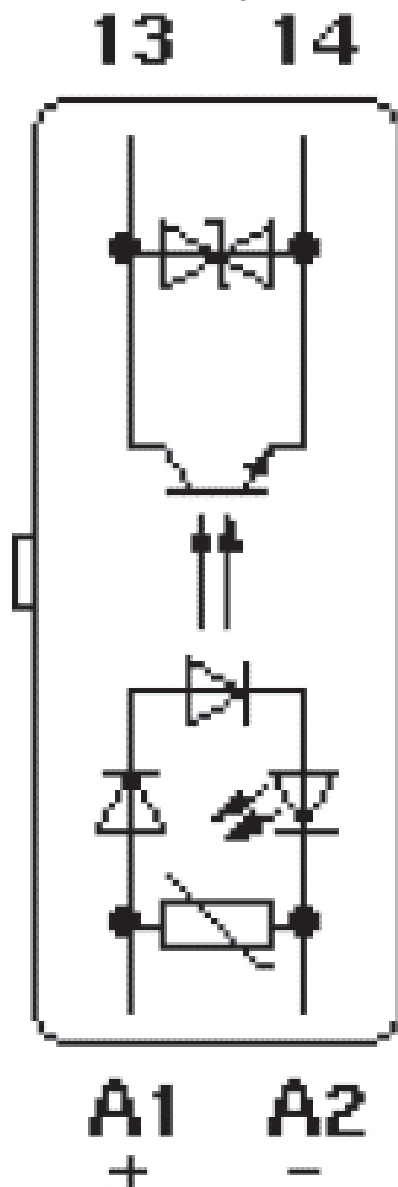
ST-OV2- 12DC/ 24DC/5 - Solid-state relay

2905488

<https://www.phoenixcontact.com/us/products/2905488>



Circuit diagram



ST-OV2- 12DC/ 24DC/5 - Solid-state relay



2905488

<https://www.phoenixcontact.com/us/products/2905488>

Environmental product compliance

China RoHS

Environment friendly use period (EFUP)	EFUP-50
	An article-related China RoHS declaration table can be found in the download area for the respective article under "Manufacturer declaration". For all articles with EFUP-E, no China RoHS declaration table issued and required.

EU REACH SVHC

REACH candidate substance (CAS No.)	No substance above 0.1 wt%
-------------------------------------	----------------------------

Phoenix Contact 2026 © - all rights reserved
<https://www.phoenixcontact.com>

Phoenix Contact USA
586 Fulling Mill Road
Middletown, PA 17057, United States
(+717) 944-1300
info@phoenixcon.com