

VAL-SEC-T2-2S-350-FM - Type 2 surge arrester



2905338

<https://www.phoenixcontact.com/us/products/2905338>

Please be informed that the data shown in this PDF document is generated from our online catalog. Please find the complete data in the user documentation. Our general terms of use for downloads are valid.



Plug-in surge arrester, in accordance with Type 2/Class II, for 2-phase power supply networks with separate N and PE (4-conductor system: L1, L2, N, PE), with remote indication contact.

Your advantages

- Surge protection family for universal use with optimum energy coordination from the lightning current arrester to the device protection
- Easy to maintain due to consistently pluggable protection modules
- Excellent level of information provided by mechanical/visual status indicator and remote indication contact
- More space in the control cabinet due to the narrow overall width of just 12 mm per position and use without separate backup fuse up to 315 A gG

Commercial data

| | |
|--------------------------------------|---------------|
| Item number | 2905338 |
| Packing unit | 1 pc |
| Minimum order quantity | 1 pc |
| Sales key | CL01 |
| Product key | CL1351 |
| GTIN | 4046356948067 |
| Weight per piece (including packing) | 310.6 g |
| Weight per piece (excluding packing) | 307.2 g |
| Customs tariff number | 85363090 |
| Country of origin | DE |

VAL-SEC-T2-2S-350-FM - Type 2 surge arrester



2905338

<https://www.phoenixcontact.com/us/products/2905338>

Technical data

Product properties

| | |
|--------------------------------|---|
| Product type | Surge arrester |
| Product family | SEC Family |
| IEC test classification | II T2 |
| EN type | T2 |
| IEC power supply system | TN-S TT |
| Type | DIN rail module, two-section, divisible |
| Number of positions | 3 |
| Surge protection fault message | Optical, remote indicator contact |
| Number of ports | One |

Insulation characteristics

| | |
|----------------------|-----|
| Overvoltage category | III |
| Pollution degree | 2 |

Electrical properties

| | |
|-------------------------|---------------|
| Nominal frequency f_N | 50 Hz (60 Hz) |
|-------------------------|---------------|

Indicator/remote signaling

| | |
|--------------------|---|
| Connection name | Remote fault indicator contact |
| Switching function | Changeover contact |
| Operating voltage | 5 V AC ... 250 V AC 125 V DC (200 mA DC) |
| Operating current | 5 mA AC ... 1 A AC 1 A DC (30 V DC) |

Connection data

| | |
|----------------------------------|--|
| Connection method | Screw connection |
| Screw thread | M5 |
| Tightening torque | 4.5 Nm |
| Stripping length | 16 mm |
| Conductor cross-section flexible | 2.5 mm ² ... 16 mm ² |
| Conductor cross-section rigid | 2.5 mm ² ... 25 mm ² |
| Conductor cross-section AWG | 12 ... 4 |
| Connection method | Fork-type cable lug |
| Conductor cross-section flexible | 1.5 mm ² ... 6 mm ² |

Remote fault indicator contact

| | |
|-------------------|---------------------------------------|
| Connection method | Plug-in/screw connection via COMBICON |
| Screw thread | M2 |
| Tightening torque | 0.25 Nm |

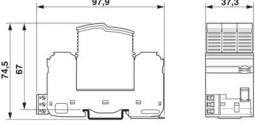
VAL-SEC-T2-2S-350-FM - Type 2 surge arrester

2905338

<https://www.phoenixcontact.com/us/products/2905338>

| | |
|----------------------------------|--|
| Stripping length | 7 mm |
| Conductor cross-section flexible | 0.14 mm ² ... 1.5 mm ² |
| Conductor cross-section rigid | 0.14 mm ² ... 1.5 mm ² |
| Conductor cross-section AWG | 28 ... 16 |

Dimensions

| | |
|---------------------|--|
| Dimensional drawing |  |
| Width | 37.3 mm |
| Height | 97.9 mm |
| Depth | 74.5 mm (incl. DIN rail 7.5 mm) |
| Horizontal pitch | 2 Div. |

Material specifications

| | |
|--|-----------------------------|
| Color (Male connector) | light gray (RAL 7035) |
| Color (Base element) | gray (RAL 7042) |
| Flammability rating according to UL 94 | V-0 |
| CTI value of material | 600 |
| Insulating material | PA6.6-FR 20% GF PBT-FR |
| Material group | I |
| Housing material | PA 6.6-FR 20 % GF PBT-FR |

Protective circuit

| | |
|---|--|
| Mode of protection | L-N |
| | L-PE |
| | N-PE |
| Direction of action | 2L-N & N-PE |
| Nominal voltage U_N | 240/415 V AC (TN-S) |
| | 240/415 V AC (TT) |
| Nominal frequency f_N | 50 Hz (60 Hz) |
| Maximum continuous operating voltage U_C (L-N) | 350 V AC |
| Maximum continuous operating voltage U_C (L-PE) | 350 V AC |
| Maximum continuous operating voltage U_C (N-PE) | 264 V AC |
| Rated load current I_L | 40 A (Biconnect M4 fork-type cable lug 6 mm ²) |
| | 63 A (TWIN ferrule 2 x 10 mm ²) |
| Protective conductor current I_{PE} | ≤ 1 μA |
| Standby power consumption P_C | ≤ 300 mVA |
| Nominal discharge current I_n (8/20) μs | 20 kA |
| Maximum discharge current I_{max} (8/20) μs | 40 kA |

VAL-SEC-T2-2S-350-FM - Type 2 surge arrester



2905338

<https://www.phoenixcontact.com/us/products/2905338>

| | |
|---|--|
| Follow current interrupt rating I_{fi} (N-PE) | 100 A (264 V AC) |
| Short-circuit current rating I_{SCCR} | 25 kA (for a backup fuse of up to 315 A gG) |
| | 50 kA (for a backup fuse of up to 200 A gG) |
| Voltage protection level U_p (L-N) | ≤ 1.5 kV |
| Voltage protection level U_p (L-PE) | ≤ 1.9 kV |
| Voltage protection level U_p (N-PE) | ≤ 1.5 kV |
| Residual voltage U_{res} (L-N) | ≤ 1.5 kV (at I_n) |
| | ≤ 1.3 kV (at 10 kA) |
| | ≤ 1.2 kV (at 5 kA) |
| | ≤ 1.1 kV (at 4 kA) |
| | ≤ 1 kV (at 2 kA) |
| Residual voltage U_{res} (L-PE) | ≤ 1.9 kV (at I_n) |
| | ≤ 1.5 kV (at 10 kA) |
| | ≤ 1.4 kV (at 5 kA) |
| | ≤ 1.3 kV (at 4 kA) |
| | ≤ 1.2 kV (at 2 kA) |
| Residual voltage U_{res} (N-PE) | ≤ 0.5 kV (at I_n) |
| | ≤ 0.5 kV (at 10 kA) |
| | ≤ 0.5 kV (at 5 kA) |
| | ≤ 0.5 kV (at 4 kA) |
| | ≤ 0.5 kV (at 2 kA) |
| TOV behavior at U_T (L-N) | 415 V AC (5 s / withstand mode) |
| | 457 V AC (120 min / safe failure mode) |
| TOV behavior at U_T (N-PE) | 1200 V AC (200 ms / withstand mode) |
| Response time t_A (L-N) | ≤ 25 ns |
| Response time t_A (L-PE) | ≤ 100 ns |
| Response time t_A (N-PE) | ≤ 100 ns |
| Max. backup fuse with V-type through wiring | 40 A (gG / Biconnect M4 fork-type cable lug, 6 mm ²) |
| | 63 A (gG / TWIN ferrule 2x 10mm ²) |
| Max. backup fuse with branch wiring | 315 A (gG) |

Environmental and real-life conditions

Ambient conditions

| | |
|---|---|
| Degree of protection | IP20 |
| Ambient temperature (operation) | -40 °C ... 80 °C |
| Ambient temperature (storage/transport) | -40 °C ... 80 °C |
| Altitude | ≤ 2000 m (amsl) |
| Permissible humidity (operation) | 5 % ... 95 % |
| Shock (operation) | 30g (Half-sine / 11 ms / 3x $\pm X$, $\pm Y$, $\pm Z$) |
| Vibration (operation) | 5g (10 ... 500 Hz / 2.5 h / X, Y, Z) |

Approvals

UL specifications

VAL-SEC-T2-2S-350-FM - Type 2 surge arrester



2905338

<https://www.phoenixcontact.com/us/products/2905338>

| | |
|---|--------------------------|
| Maximum continuous operating voltage MCOV (L-L) | 700 V AC |
| Maximum continuous operating voltage MCOV (L-N) | 350 V AC |
| Maximum continuous operating voltage MCOV (L-G) | 350 V AC |
| Maximum continuous operating voltage MCOV (N-G) | 264 V AC |
| Nominal discharge current I_n (L-L) | 20 kA |
| Nominal discharge current I_n (L-N) | 20 kA |
| Nominal discharge current I_n (L-G) | 20 kA |
| Nominal discharge current I_n (N-G) | 20 kA |
| Mode of protection | L-L L-N L-G N-G |
| Nominal voltage | 240/415 V AC |
| Power distribution system | Wye |
| Nominal frequency | 50/60 Hz |
| Measured limiting voltage MLV (L-L) | 3280 V |
| Measured limiting voltage MLV (L-N) | 2000 V |
| Measured limiting voltage MLV (L-G) | 2080 V |
| Measured limiting voltage MLV (N-G) | 950 V |
| Follow current (L-G) | 200 A (264 V AC) |
| SPD Type | 4CA |

UL indicator/remote signaling

| | |
|----------------------|----------|
| Operating voltage | 125 V AC |
| AC operating current | 1 A AC |

UL connection data

| | |
|-----------------------------|---|
| Tightening torque | 40 lb _F -in. ... 50 lb _F -in. |
| Conductor cross-section AWG | 14 ... 2 (solid) 14 ... 4 (flexible) |

Standards and regulations

Air clearances and creepage distances

| | |
|--------------------------|---|
| Standards/regulations | DIN VDE 0110-1 / IEC 60664-1 / IEC 61643-11 |
| Standards/specifications | IEC 61643-11 |
| Note | 2011 |

EN 61643-11

| | |
|--------------------------|-------------|
| Standards/specifications | EN 61643-11 |
| Note | 2012 |

Mounting

| | |
|---------------|-----------------|
| Mounting type | DIN rail: 35 mm |
|---------------|-----------------|

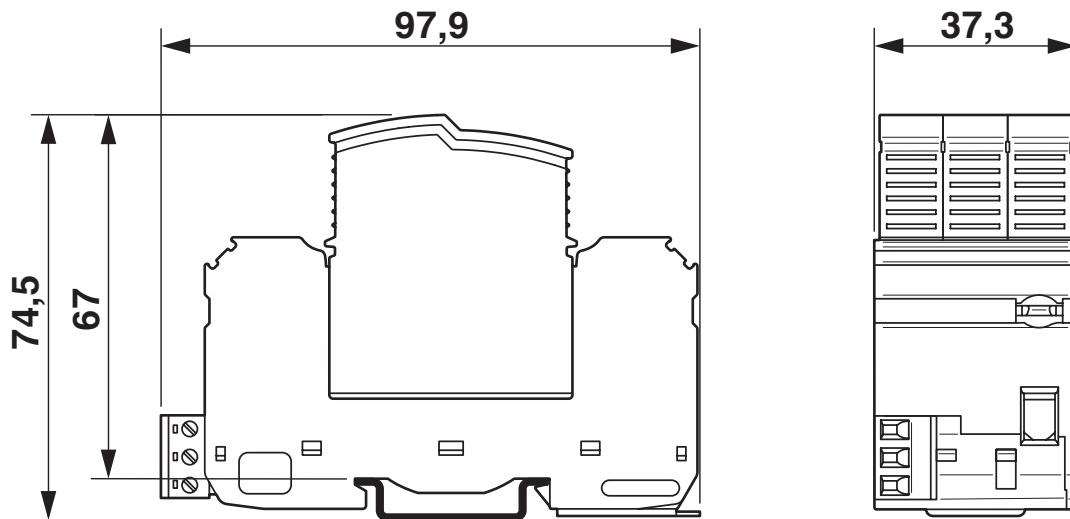
VAL-SEC-T2-2S-350-FM - Type 2 surge arrester

2905338

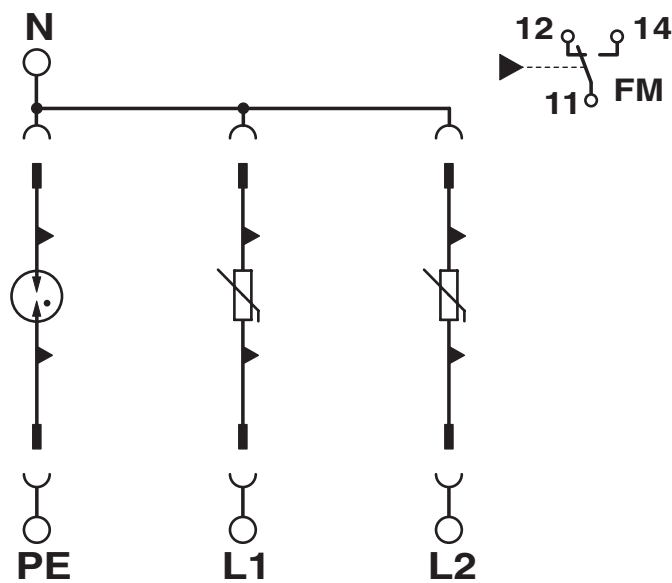
<https://www.phoenixcontact.com/us/products/2905338>

Drawings

Dimensional drawing



Circuit diagram



VAL-SEC-T2-2S-350-FM - Type 2 surge arrester



2905338

<https://www.phoenixcontact.com/us/products/2905338>

Approvals

To download certificates, visit the product detail page: <https://www.phoenixcontact.com/us/products/2905338>



cUL Recognized
Approval ID: FILE E 330181



UL Recognized
Approval ID: FILE E 330181



IECEE CB Scheme
Approval ID: NL-34356

CCA

Approval ID: NTR-NL 7347



KEMA-KEUR
Approval ID: 2196453.01



DNV GL
Approval ID: TAE000023D

UAE-RoHS

Approval ID: 23-10-88707

VAL-SEC-T2-2S-350-FM - Type 2 surge arrester



2905338

<https://www.phoenixcontact.com/us/products/2905338>

Classifications

ECLASS

| | |
|-------------|----------|
| ECLASS-13.0 | 27171202 |
| ECLASS-15.0 | 27171202 |

ETIM

| | |
|-----------|----------|
| ETIM 10.0 | EC000941 |
|-----------|----------|

UNSPSC

| | |
|-------------|----------|
| UNSPSC 21.0 | 39121600 |
|-------------|----------|

VAL-SEC-T2-2S-350-FM - Type 2 surge arrester



2905338

<https://www.phoenixcontact.com/us/products/2905338>

Environmental product compliance

EU RoHS

| | |
|---|--------------------|
| Fulfills EU RoHS substance requirements | Yes, No exemptions |
|---|--------------------|

China RoHS

| | |
|--|--|
| Environment friendly use period (EFUP) | EFUP-E |
| | No hazardous substances above the limits |

EU REACH SVHC

| | |
|-------------------------------------|----------------------------|
| REACH candidate substance (CAS No.) | No substance above 0.1 wt% |
|-------------------------------------|----------------------------|

Phoenix Contact 2026 © - all rights reserved
<https://www.phoenixcontact.com>

Phoenix Contact USA
586 Fulling Mill Road
Middletown, PA 17057, United States
(+717) 944-1300
info@phoenixcon.com