

UM-D37M/DS/FU/LED/DG/C300/R SH - Termination board



2905273

<https://www.phoenixcontact.com/us/products/2905273>

Please be informed that the data shown in this PDF document is generated from our online catalog. Please find the complete data in the user documentation. Our general terms of use for downloads are valid.

16-channel module for Honeywell C300 digital cards with disconnect, test points, socketed 1A fuses and fuse status indicator.



Your advantages

- These VARIOFACE modules are used in combination with the relevant front adapters
- UM-PRO housing
- Per channel disconnects with test points
- LED blown fusing indication
- Per channel shield connection
- Per channel pluggable 1 A fusing
- DIN rail mounting, includes grounding foot
- Digital module includes shield connection

Commercial data

| | |
|--------------------------------------|--------------------------------|
| Item number | 2905273 |
| Packing unit | 1 pc |
| Minimum order quantity | 1 pc |
| Note | Made to order (non-returnable) |
| Sales key | C421 |
| Product key | DK218H |
| GTIN | 4046356947107 |
| Weight per piece (including packing) | 475.2 g |
| Weight per piece (excluding packing) | 468.8 g |
| Customs tariff number | 85371098 |
| Country of origin | US |

UM-D37M/DS/FU/LED/DG/C300/R SH - Termination board



2905273

<https://www.phoenixcontact.com/us/products/2905273>

Technical data

Product properties

| | |
|---------------------|------------------|
| Product type | Interface module |
| Product family | VARIOFACE |
| Number of positions | 37 |
| No. of channels | 16 |

Electrical properties

| | |
|---|-----------------|
| Nominal voltage U_N | 24 V DC |
| Max. current carrying capacity per branch | 1 A |
| Max. total current of voltage supply | 4 A (via D-SUB) |

Supported controller: HONEYWELL Experion PKS C300/C-Series

| | |
|-------------------|--------|
| Suitable I/O card | TDIL01 |
| | TDIL11 |

Connection data

Field level

| | |
|----------------------------------|---|
| Connection method | Screw connection with disconnect knife |
| Stripping length | 8 mm |
| Screw thread | M 3 |
| Conductor cross-section rigid | 0.2 mm ² ... 4 mm ² |
| Conductor cross-section flexible | 0.2 mm ² ... 2.5 mm ² |
| Conductor cross-section AWG | 24 ... 12 |

Controller level

| | |
|-----------------------|-----------------|
| Connection method | D-SUB pin strip |
| Number of connections | 1 |
| Number of positions | 37 |

Signaling

| | |
|------------------------|------------------------|
| Status display | no |
| Status display present | yes, if the fuse fails |

Dimensions

Item dimensions

| | |
|--------|----------|
| Width | 104 mm |
| Height | 142.3 mm |
| Depth | 79 mm |

Environmental and real-life conditions

Ambient conditions

UM-D37M/DS/FU/LED/DG/C300/R SH - Termination board



2905273

<https://www.phoenixcontact.com/us/products/2905273>

| | |
|---|------------------|
| Ambient temperature (operation) | -40 °C ... 60 °C |
| Ambient temperature (storage/transport) | -40 °C ... 75 °C |

Standards and regulations

| | |
|-----------------------|--------------|
| Standards/regulations | DIN EN 50178 |
|-----------------------|--------------|

Mounting

| | |
|-------------------|---------------------------|
| Mounting type | DIN rail mounting |
| Assembly note | in rows with zero spacing |
| Mounting position | any |

Notes

| | |
|--------------------|--|
| Notes on operation | For proper use, the specifications of the installation directive (see Downloads) must be observed. For applications or use with third-party products, the specifications, and the safety and warning instructions of the respective third-party manufacturer must also be met. |
|--------------------|--|

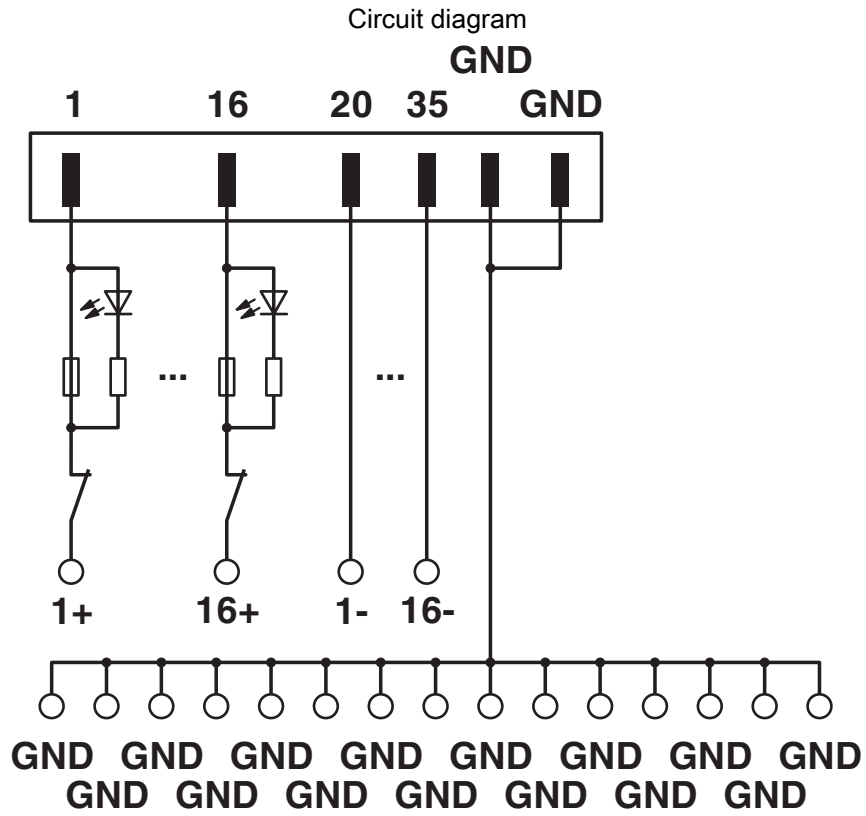
UM-D37M/DS/FU/LED/DG/C300/R SH - Termination board



2905273

<https://www.phoenixcontact.com/us/products/2905273>

Drawings



UM-D37M/DS/FU/LED/DG/C300/R SH - Termination board



2905273

<https://www.phoenixcontact.com/us/products/2905273>

Classifications

ECLASS

ECLASS-13.0

27141152

ETIM

ETIM 9.0

EC002780

UNSPSC

UNSPSC 21.0

39121400

UM-D37M/DS/FU/LED/DG/C300/R SH - Termination board



2905273

<https://www.phoenixcontact.com/us/products/2905273>

Environmental product compliance

EU RoHS

| | |
|---|------|
| Fulfills EU RoHS substance requirements | Yes |
| Exemption | 6(c) |

China RoHS

| | |
|--|---|
| Environment friendly use period (EFUP) | EFUP-50 |
| | An article-related China RoHS declaration table can be found in the download area for the respective article under "Manufacturer declaration". For all articles with EFUP-E, no China RoHS declaration table issued and required. |

EU REACH SVHC

| | |
|-------------------------------------|--------------------------------------|
| REACH candidate substance (CAS No.) | Lead(CAS: 7439-92-1) |
| SCIP | cbd26852-cc5f-4218-926d-4beb1c6e08e7 |

Phoenix Contact 2026 © - all rights reserved
<https://www.phoenixcontact.com>

Phoenix Contact USA
586 Fulling Mill Road
Middletown, PA 17057, United States
(+717) 944-1300
info@phoenixcon.com