

# PLT-SEC-T3-120-FM - Type 3 surge protection device



2905228

<https://www.phoenixcontact.com/us/products/2905228>

Please be informed that the data shown in this PDF document is generated from our online catalog. Please find the complete data in the user documentation. Our general terms of use for downloads are valid.



Pluggable device protection, according to type 3/class III, for 1-phase power supply networks with separate N and PE (3-conductor system: L1, N, PE), with integrated surge-proof fuse and remote indication contact. Also suitable for DC applications.

## Commercial data

|                                      |                                |
|--------------------------------------|--------------------------------|
| Item number                          | 2905228                        |
| Packing unit                         | 1 pc                           |
| Note                                 | Made to order (non-returnable) |
| Sales key                            | CL19                           |
| Product key                          | CL14A1                         |
| GTIN                                 | 4046356939690                  |
| Weight per piece (including packing) | 90.3 g                         |
| Weight per piece (excluding packing) | 73.33 g                        |
| Customs tariff number                | 85363030                       |
| Country of origin                    | DE                             |

## Technical data

### Product properties

|                                |   |
|--------------------------------|---|
| Product type                   | Device protection                       |
| Product family                 | SEC Family                              |
| Type                           | DIN rail module, two-section, divisible |
| Number of positions            | 2                                       |
| Surge protection fault message | Optical, remote indicator contact       |

### Insulation characteristics

|                         |     |
|-------------------------|-----|
| Overvoltage category    | III |
| Pollution degree        | 2   |
| IEC test classification | III |
|                         | T3  |
| EN type                 | T3  |
| Number of ports         | One |

### Electrical properties

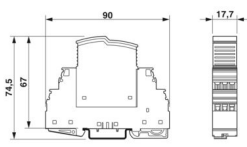
#### Indicator/remote signaling

|                    |                                |
|--------------------|--------------------------------|
| Connection name    | Remote fault indicator contact |
| Switching function | N/C contact                    |
| Operating voltage  | 250 V AC                       |
|                    | 125 V DC (200 mA DC)           |
| Operating current  | 3 A AC                         |
|                    | 1 A DC (30 V DC)               |

### Connection data

|                                  |   |
|----------------------------------|---|
| Connection method                | Screw connection                            |
| Screw thread                     | M3  |
| Tightening torque                | 0.8 Nm                                      |
| Conductor cross-section flexible | 0.2 mm <sup>2</sup> ... 2.5 mm <sup>2</sup> |
| Conductor cross-section rigid    | 0.2 mm <sup>2</sup> ... 4 mm <sup>2</sup>   |
| Conductor cross-section AWG      | 24 ... 12                                   |

### Dimensions

|                     |  |
|---------------------|--|
| Dimensional drawing |  |
| Width               | 17.7 mm  |
| Height              | 90 mm  |
| Depth               | 74.5 mm (incl. DIN rail 7.5 mm)  |

# PLT-SEC-T3-120-FM - Type 3 surge protection device



2905228

<https://www.phoenixcontact.com/us/products/2905228>

|                  |        |
|------------------|--------|
| Horizontal pitch | 1 Div. |
|------------------|--------|

## Material specifications

|  |                   |
|--|-------------------|
| Flammability rating according to UL 94 | V-0               |
| CTI value of material                  | 600               |
| Insulating material                    | PA 6.6-FR 20% GF  |
|  | PA 6.6-FR         |
| Material group                         | I                 |
| Housing material                       | PA 6.6-FR 20 % GF |
|  | PA 6.6-FR         |

## Protective circuit

|  |  |
|--|--|
| Mode of protection                             | L-N                                    |
|  | L-PE                                   |
|  | N-PE                                   |
|  | (L+) - (L-)                            |
|  | (L+/L-) - PE                           |
| Direction of action                            | 1L-N & N-PE                            |
| Nominal voltage $U_N$                          | 120 V AC (TN-S)                        |
|  | 120 V AC (TT - only in use with RCD)   |
| Nominal frequency $f_N$                        | 50 Hz (60 Hz)                          |
| Maximum continuous operating voltage $U_C$     | 150 V AC                               |
|  | 150 V DC                               |
| Rated load current $I_L$                       | 26 A (30 °C)                           |
| Protective conductor current $I_{PE}$          | $\leq 5 \mu A$                         |
| Standby power consumption $P_C$                | $\leq 150 \text{ mVA (at } U_{REF})$   |
|  | $\leq 175 \text{ mVA (at } U_C)$       |
| Reference test voltage $U_{REF}$               | 132 V AC                               |
| Nominal discharge current $I_n$ (8/20) $\mu s$ | 3 kA                                   |
| Combination wave $U_{OC}$                      | 6 kV                                   |
| Voltage protection level $U_p$ (L-N)           | $\leq 0.85 \text{ kV}$                 |
| Voltage protection level $U_p$ (L-PE)          | $\leq 0.95 \text{ kV}$                 |
| Voltage protection level $U_p$ (N-PE)          | $\leq 0.95 \text{ kV}$                 |
| TOV behavior at $U_T$ (L-N)                    | 240 V AC (5 s / withstand mode)        |
|  | 240 V AC (120 min / withstand mode)    |
|  | 1332 V AC (200 ms / safe failure mode) |
| TOV behavior at $U_T$ (L-PE)                   | 240 V AC (5 s / withstand mode)        |
|  | 240 V AC (120 min / withstand mode)    |
|  | 1332 V AC (200 ms / safe failure mode) |
| TOV behavior at $U_T$ (N-PE)                   | 1200 V AC (200 ms / safe failure mode) |
| Response time $t_A$ (L-N)                      | $\leq 25 \text{ ns}$                   |
| Response time $t_A$ (L-PE)                     | $\leq 100 \text{ ns}$                  |
| Response time $t_A$ (N-PE)                     | $\leq 100 \text{ ns}$                  |
| Short-circuit current rating $I_{SCCR}$        | 1.5 kA AC                              |
|  | 0.25 kA DC                             |

# PLT-SEC-T3-120-FM - Type 3 surge protection device



2905228

<https://www.phoenixcontact.com/us/products/2905228>

|  |                   |
|--|-------------------|
| Maximum backup fuse for through wiring | 25 A (gG / B / C) |
| Max. backup fuse with branch wiring    | not required      |

## Environmental and real-life conditions

### Ambient conditions

|   |  |
|---|--|
| Degree of protection                    | IP20   |
| Ambient temperature (operation)         | -40 °C ... 70 °C                                 |
| Ambient temperature (storage/transport) | -40 °C ... 70 °C                                 |
| Altitude                                | ≤ 2000 m (amsl)                                  |
| Permissible humidity (operation)        | 5 % ... 95 %                                     |
| Shock (operation)                       | 30g (Half-sine / 11 ms / 3x ±X, ±Y, ±Z)          |
| Vibration (operation)                   | 5g (10 Hz ... 150 Hz / 20 cycles/axis / X, Y, Z) |

## Approvals

### UL specifications

|   |              |
|---|--------------|
| Maximum continuous operating voltage MCOV | 150 V AC     |
|   | 150 V DC     |
| Nominal discharge current $I_n$           | 3 kA         |
| Mode of protection                        | L-N          |
|   | L-G          |
|   | N-G          |
|   | (L+) - (L-)  |
|   | (L+) - G     |
|   | (L-) - G     |
| Nominal voltage                           | 120 V DC     |
| Rated load current $I_L$                  | 25 A         |
| Power distribution system                 | Single phase |
| Nominal frequency                         | 50/60 Hz     |
| Measured limiting voltage MLV (L-N)       | 780 V        |
| Measured limiting voltage MLV (L-G)       | 760 V        |
| Measured limiting voltage MLV (N-G)       | 760 V        |
| Measured limiting voltage MLV (L+) - (L-) | 780 V        |
| Measured limiting voltage MLV (L+) - G    | 760 V        |
| Measured limiting voltage MLV (L-) - G    | 760 V        |
| SPD Type                                  | 4CA          |

### UL connection data

|                             |   |
|-----------------------------|---|
| Tightening torque           | 5 lb <sub>f</sub> -in. ... 7 lb <sub>f</sub> -in. |
| Conductor cross-section AWG | 14 ... 12   |

## Standards and regulations

### EN 61643-11

|                          |             |
|--------------------------|-------------|
| Standards/specifications | EN 61643-11 |
|--------------------------|-------------|

# PLT-SEC-T3-120-FM - Type 3 surge protection device



2905228

<https://www.phoenixcontact.com/us/products/2905228>

|      |      |
|------|------|
| Note | 2012 |
|------|------|

## Mounting

|               |                 |
|---------------|-----------------|
| Mounting type | DIN rail: 35 mm |
|---------------|-----------------|

# PLT-SEC-T3-120-FM - Type 3 surge protection device

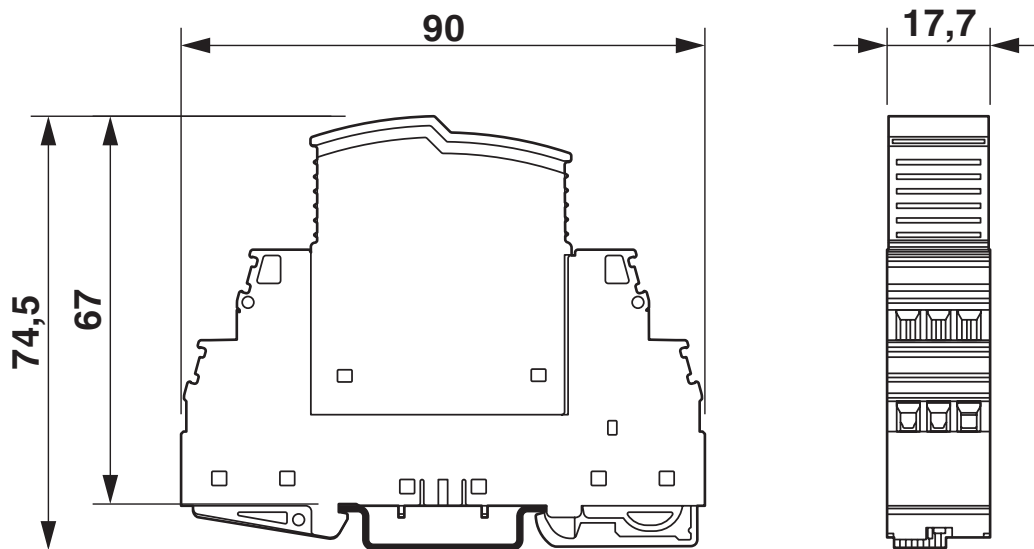


2905228

<https://www.phoenixcontact.com/us/products/2905228>

## Drawings

Dimensional drawing



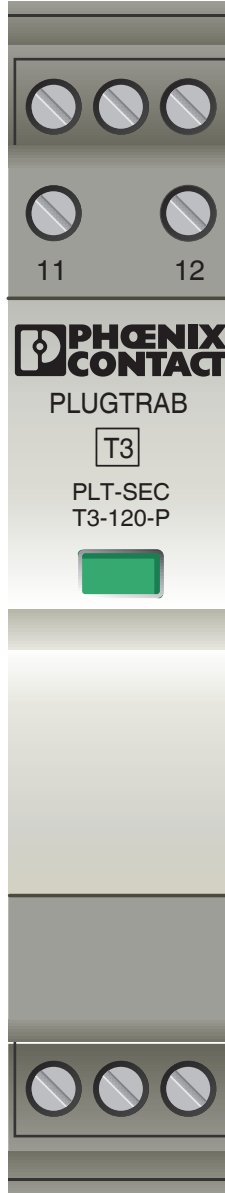
# PLT-SEC-T3-120-FM - Type 3 surge protection device



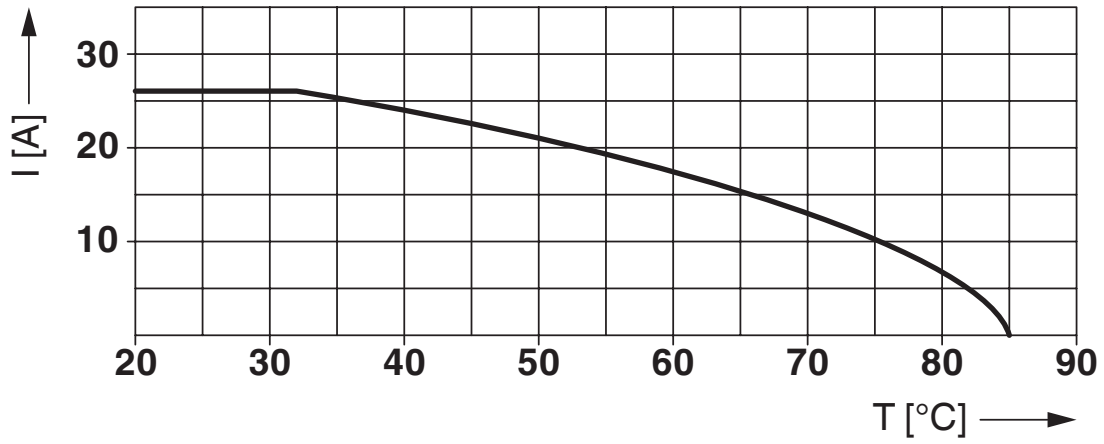
2905228

<https://www.phoenixcontact.com/us/products/2905228>

Product drawing

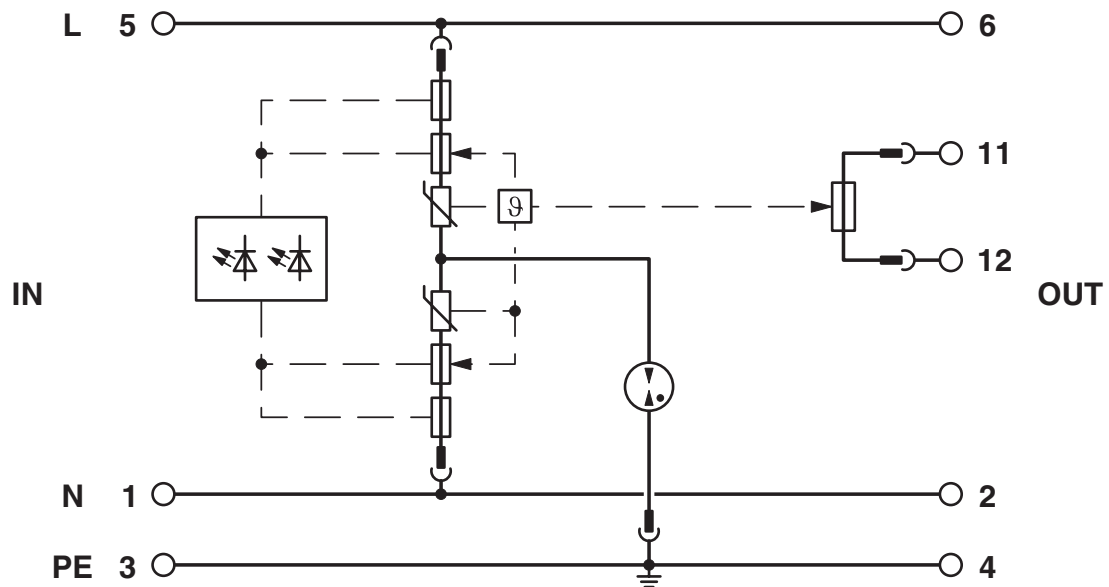


Diagram



Nominal current depending on ambient temperature

Circuit diagram



# PLT-SEC-T3-120-FM - Type 3 surge protection device



2905228

<https://www.phoenixcontact.com/us/products/2905228>

## Classifications

### UNSPSC

|             |          |
|-------------|----------|
| UNSPSC 21.0 | 39121620 |
|-------------|----------|

2905228

<https://www.phoenixcontact.com/us/products/2905228>

## Environmental product compliance

### EU RoHS

|   |              |
|---|--------------|
| Fulfills EU RoHS substance requirements | Yes          |
| Exemption                               | 7(a), 7(c)-I |

### China RoHS

|  |   |
|--|---|
| Environment friendly use period (EFUP) | EFUP-50   |
|  | An article-related China RoHS declaration table can be found in the download area for the respective article under "Manufacturer declaration". For all articles with EFUP-E, no China RoHS declaration table issued and required. |

### EU REACH SVHC

|                                     |                      |
|-------------------------------------|----------------------|
| REACH candidate substance (CAS No.) | Lead(CAS: 7439-92-1) |
|-------------------------------------|----------------------|

Phoenix Contact 2026 © - all rights reserved  
<https://www.phoenixcontact.com>

Phoenix Contact USA  
586 Fulling Mill Road  
Middletown, PA 17057, United States  
(+717) 944-1300  
[info@phoenixcon.com](mailto:info@phoenixcon.com)