

SFP 1-15/120AC/EX - EMC filter surge protection device



2905219

<https://www.phoenixcontact.com/us/products/2905219>

Please be informed that the data shown in this PDF document is generated from our online catalog. Please find the complete data in the user documentation. Our general terms of use for downloads are valid.



Device protection, according to type 3/class III, with mains interference filter to prevent high-frequency interference voltages, for 1-phase power supply networks with separate N and PE (3-conductor system: L1, N, PE), with remote indication contact. Can be used in potentially explosive areas in zone 2.

Commercial data

Item number	2905219
Packing unit	1 pc
Note	Made to order (non-returnable)
Sales key	CL06
Product key	CLC131
GTIN	4046356989473
Weight per piece (including packing)	628 g
Weight per piece (excluding packing)	628 g
Customs tariff number	85363010
Country of origin	DE

SFP 1-15/120AC/EX - EMC filter surge protection device

2905219

<https://www.phoenixcontact.com/us/products/2905219>

Technical data

Product properties

Product type	EMC filters
Product family	SFP
Type	DIN rail module, one-piece
Number of positions	2
For country-specific use in	USA, CN, BR
Surge protection fault message	Optical, remote indicator contact
IEC test classification	III
	T3
EN type	T3

Electrical properties

Indicator/remote signaling

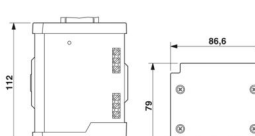
Connection name	Remote fault indicator contact
Switching function	Changeover contact
Maximum operating voltage U_{max} , AC	250 V AC
Max. operating current I_{max}	1 A (250 V AC) 0.25 A (250 V DC) 1 A (48 V DC)

Connection data

Input/output

Connection method	Screw terminal blocks
Screw thread	M3
Tightening torque	0.5 Nm ... 0.6 Nm 5 lb _F -in. ... 7 lb _F -in.
Conductor cross-section flexible min.	2.5 mm ²
Conductor cross-section flexible max.	4 mm ²
Conductor cross-section, rigid min.	2.5 mm ²
Conductor cross-section, rigid max.	6 mm ²

Dimensions

Dimensional drawing	
Width	112 mm
Height	93 mm

SFP 1-15/120AC/EX - EMC filter surge protection device



2905219

<https://www.phoenixcontact.com/us/products/2905219>

Depth	79 mm
-------	-------

Material specifications

Flammability rating according to UL 94	V-0
Insulating material	ABS
Housing material	Aluminum

Mechanical properties

Mechanical data

Open side panel	No
-----------------	----

Protective circuit

Direction of action	L-N & L(N)-PE
Nominal frequency f_N	50 Hz
	60 Hz
Maximum continuous operating voltage U_C (L-N)	150 V AC
Maximum continuous operating voltage U_C (L-PE)	150 V AC
Nominal current I_N	15 A (52 °C)
Rated load current I_L	15 A (52 °C)
Protective conductor current I_{PE}	≤ 0.5 mA
Operating effective current I_C at U_C	≤ 10 mA
Nominal discharge current I_n (8/20) μ s (L-N)	3 kA
Nominal discharge current I_n (8/20) μ s (L-PE)	3 kA
Maximum discharge current I_{max} (8/20) μ s (L-N)	10 kA
Maximum discharge current I_{max} (8/20) μ s (L-PE)	10 kA
Energy absorption symmetrical	170 J
Energy absorption, asymmetrical	2x 170 J
Voltage protection level U_p (L-N)	≤ 450 V (at 6 kV/3 kA)
Voltage protection level U_p (L-PE)	≤ 450 V (at 6 kV/3 kA)
Voltage protection level U_p (N-PE)	≤ 450 V (at 6 kV/3 kA)
Residual voltage at I_n	≤ 450 V
	≤ 450 V
	≤ 450 V
Response time t_A (L-N)	≤ 25 ns
Response time t_A (L-PE)	≤ 25 ns
Response time t_A (N-PE)	≤ 25 ns
Inductivity in series	2x 1 mH ± 30 % (with current compensation)
Capacity (L-N)	2 μ F ± 10 % (X2, FOW X2-250V)
Capacity (L-PE)	2.2 nF ± 20 % (Y, FOW X2-250V)
Capacitance (N-PE)	2.2 nF ± 20 % (Y, FOW X2-250V)
Max. required back-up fuse	20 A (gL/gG)
	20 A (MCB, > 125 V, AIC: 14 kA)
Input attenuation aE, sym.	typ. 40 dB (≥ 500 kHz/50 Ω)
Input attenuation aE, asym.	typ. 30 dB (≥ 1 MHz / 50 Ω)

SFP 1-15/120AC/EX - EMC filter surge protection device



2905219

<https://www.phoenixcontact.com/us/products/2905219>

Filter data

Discharge resistance	≤ 390 kΩ
----------------------	----------

Environmental and real-life conditions

Ambient conditions

Degree of protection	IP20
Ambient temperature (operation)	-25 °C ... 50 °C
Ambient temperature (storage/transport)	-40 °C ... 85 °C

Standards and regulations

Standards

Standards/regulations	IEC 61643-1
	EN 61643-11/A11

Air clearances and creepage distances

Standards/regulations	DIN VDE 0110-1 / IEC 60664-1 / IEC 61643-1
Standards/specifications	IEC 61643-1
Note	2005
Standards/specifications	EN 61643-11/A11
Note	2007
Standards/specifications	UL 1449
Note	ed. 3: 2006 T4 for type 2
Standards/specifications	UL 1283
Note	ed. 5: 2005

Mounting

Mounting type	DIN rail: 35 mm
---------------	-----------------

SFP 1-15/120AC/EX - EMC filter surge protection device

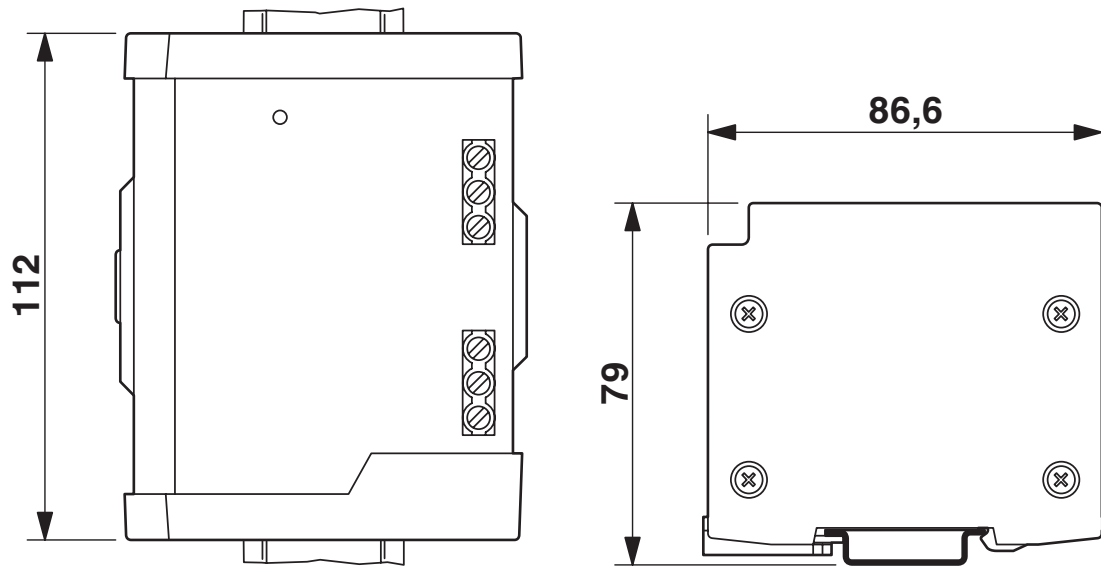


2905219

<https://www.phoenixcontact.com/us/products/2905219>

Drawings

Dimensional drawing



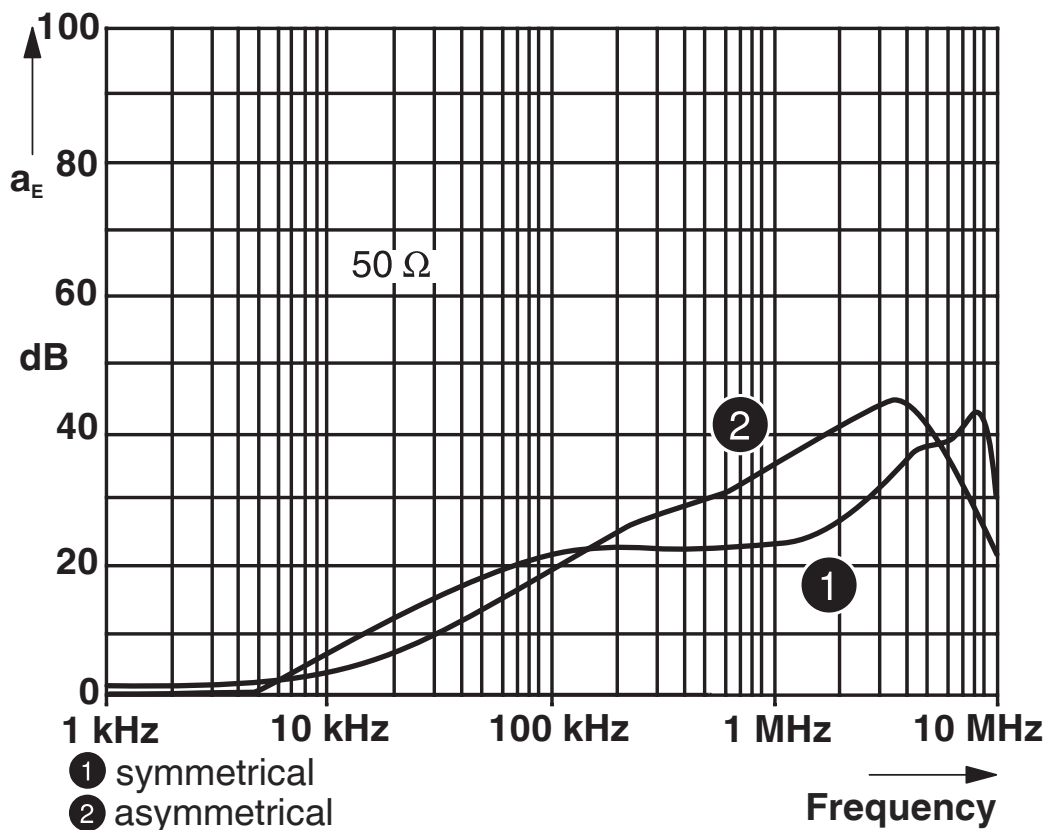
SFP 1-15/120AC/EX - EMC filter surge protection device



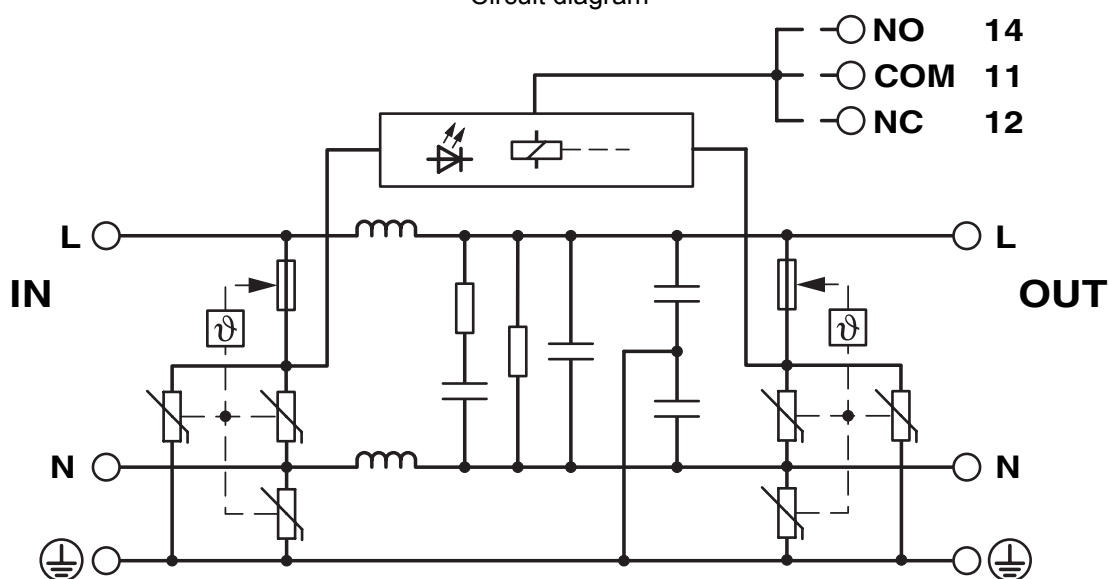
2905219

<https://www.phoenixcontact.com/us/products/2905219>

Diagram



Circuit diagram



SFP 1-15/120AC/EX - EMC filter surge protection device



2905219

<https://www.phoenixcontact.com/us/products/2905219>

Environmental product compliance

EU REACH SVHC

REACH candidate substance (CAS No.)	No substance above 0.1 wt%
-------------------------------------	----------------------------

Phoenix Contact 2026 © - all rights reserved

<https://www.phoenixcontact.com>

Phoenix Contact USA
586 Fulling Mill Road
Middletown, PA 17057, United States
(+717) 944-1300
info@phoenixcon.com