

# UM-D37M/DS/FU/LED/AID16/C300/R - Termination board



2905197

<https://www.phoenixcontact.com/us/products/2905197>

Please be informed that the data shown in this PDF document is generated from our online catalog. Please find the complete data in the user documentation. Our general terms of use for downloads are valid.

VARIOFACE module intended for use with Honeywell Experion C300 16-channel analog input cards. Channels 1 to 16 feature differential inputs.



## Your advantages

- These VARIOFACE modules are used in combination with the relevant front adapters
- UM-PRO housing
- DIN rail mounting, includes grounding foot
- LED blown fusing indication
- Per channel shield connection
- Per channel disconnects with test points
- Per channel pluggable 500 mA fusing

## Commercial data

Item number	2905197
Packing unit	1 pc
Minimum order quantity	1 pc
Note	Made to order (non-returnable)
Sales key	C421
Product key	DK218H
GTIN	4055626002958
Weight per piece (including packing)	620 g
Weight per piece (excluding packing)	617 g
Customs tariff number	85371098
Country of origin	US

# UM-D37M/DS/FU/LED/AID16/C300/R - Termination board



2905197

<https://www.phoenixcontact.com/us/products/2905197>

## Technical data

### Product properties

Product type	Interface module
Product family	VARIOFACE
Number of positions	37
No. of channels	16

### Electrical properties

Operating voltage (DC)	24 V DC
Current (per branch)	≤ 500 mA (fuse limited)

Supported controller: HONEYWELL Experion PKS C300/C-Series

Suitable I/O card	TAID01 (non-redundant)
	TAID11 (redundant)

Supported controller: HONEYWELL Experion LX Series 8

Suitable I/O card	8X-TAIDA1
	8X-TAIDB1

### Connection data

#### Field level

Connection method	Screw connection with disconnect knife
Stripping length	8 mm
Screw thread	M 3
Conductor cross-section rigid	0.2 mm <sup>2</sup> ... 4 mm <sup>2</sup>
Conductor cross-section flexible	0.2 mm <sup>2</sup> ... 2.5 mm <sup>2</sup>
Conductor cross-section AWG	24 ... 12

#### Controller level

Connection method	D-SUB pin strip
Number of connections	1
Number of positions	37
Connection method	D-SUB pin strip
Number of connections	1
Number of positions	25

### Signaling

Status display present	yes, if the fuse fails
------------------------	------------------------

### Dimensions

#### Item dimensions

Width	184 mm
Height	142.3 mm

# UM-D37M/DS/FU/LED/AID16/C300/R - Termination board



2905197

<https://www.phoenixcontact.com/us/products/2905197>

Depth	65.6 mm
-------	---------

## Environmental and real-life conditions

### Ambient conditions

Ambient temperature (operation)	-40 °C ... 60 °C
Ambient temperature (storage/transport)	-40 °C ... 75 °C

## Standards and regulations

Standards/regulations	DIN EN 50178
-----------------------	--------------

## Mounting

Mounting type	DIN rail mounting
Assembly note	in rows with zero spacing
Mounting position	any

## Notes

Notes on operation	For proper use, the specifications of the installation directive (see Downloads) must be observed. For applications or use with third-party products, the specifications, and the safety and warning instructions of the respective third-party manufacturer must also be met.
--------------------	--

# UM-D37M/DS/FU/LED/AID16/C300/R - Termination board

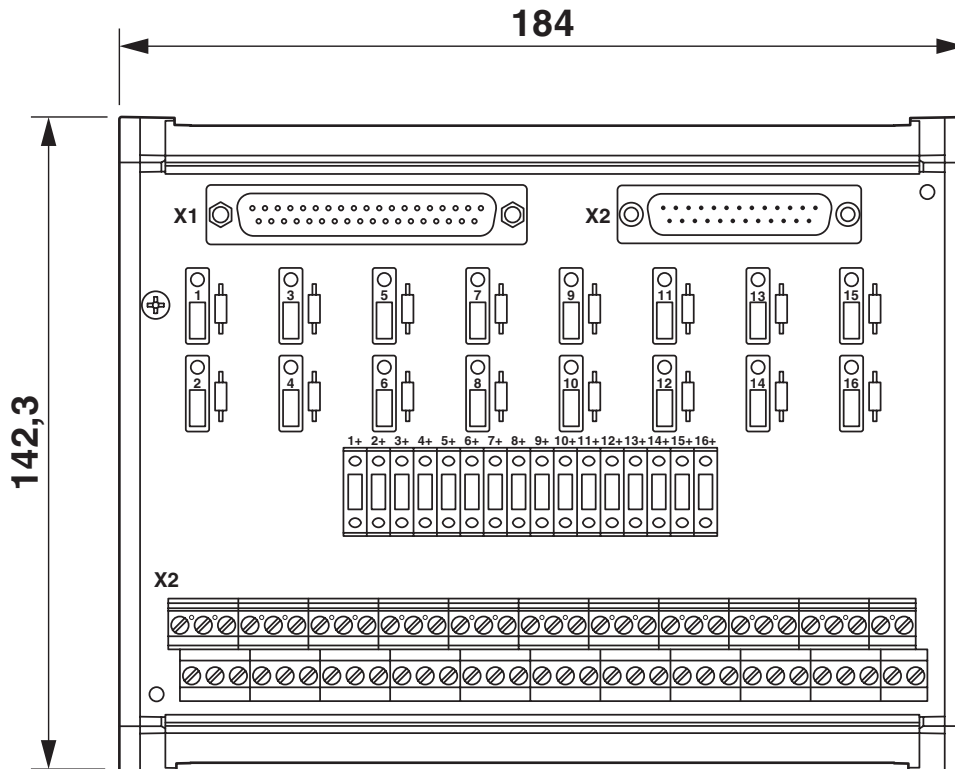


2905197

<https://www.phoenixcontact.com/us/products/2905197>

## Drawings

Dimensional drawing



dimensional drawing of left hand version

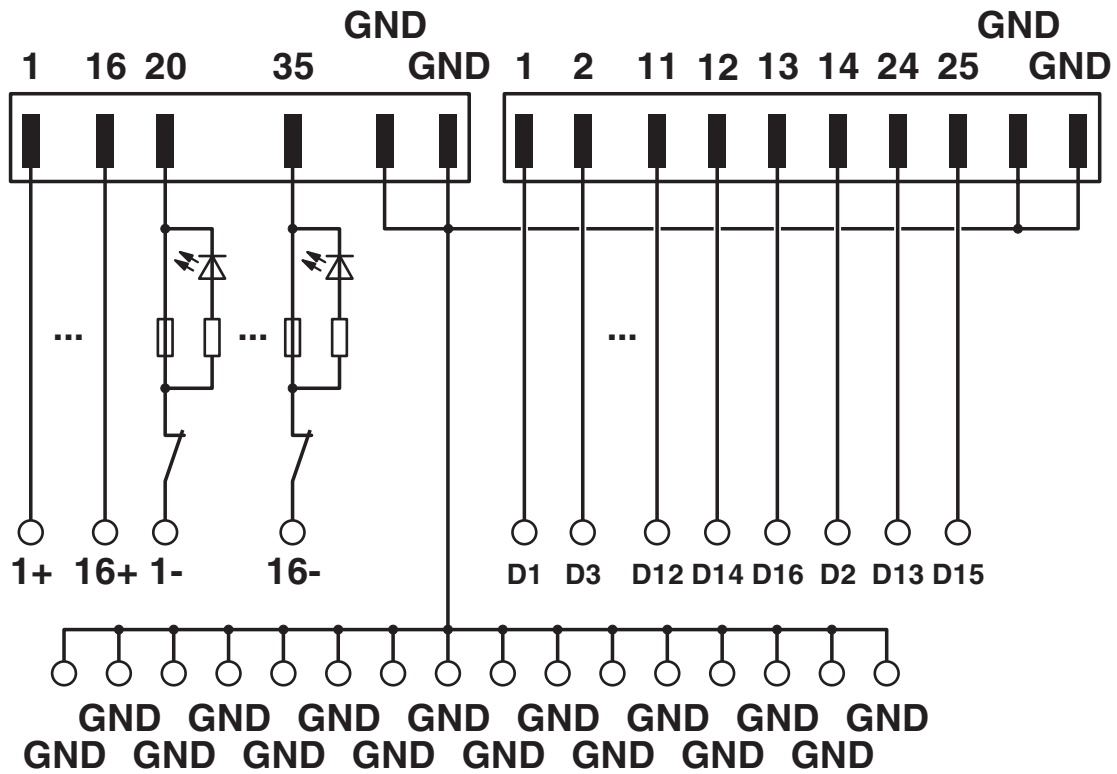
# UM-D37M/DS/FU/LED/AID16/C300/R - Termination board



2905197

<https://www.phoenixcontact.com/us/products/2905197>

Circuit diagram



# UM-D37M/DS/FU/LED/AID16/C300/R - Termination board



2905197

<https://www.phoenixcontact.com/us/products/2905197>

## Approvals

To download certificates, visit the product detail page: <https://www.phoenixcontact.com/us/products/2905197>



**cUL Recognized**

Approval ID: E238705



**UL Recognized**

Approval ID: E238705

# UM-D37M/DS/FU/LED/AID16/C300/R - Termination board



2905197

<https://www.phoenixcontact.com/us/products/2905197>

## Classifications

### ECLASS

ECLASS-13.0	27141152
ECLASS-15.0	27141152

### ETIM

ETIM 10.0	EC002780
-----------	----------

### UNSPSC

UNSPSC 21.0	39121400
-------------	----------

# UM-D37M/DS/FU/LED/AID16/C300/R - Termination board



2905197

<https://www.phoenixcontact.com/us/products/2905197>

## Environmental product compliance

### EU RoHS

Fulfills EU RoHS substance requirements	Yes
Exemption	6(c)

### China RoHS

Environment friendly use period (EFUP)	EFUP-50
	An article-related China RoHS declaration table can be found in the download area for the respective article under "Manufacturer declaration". For all articles with EFUP-E, no China RoHS declaration table issued and required.

### EU REACH SVHC

REACH candidate substance (CAS No.)	Lead(CAS: 7439-92-1)
SCIP	88eb25ce-2967-4af9-9305-bb2b07c83a4a

Phoenix Contact 2026 © - all rights reserved

<https://www.phoenixcontact.com>

Phoenix Contact USA  
586 Fulling Mill Road  
Middletown, PA 17057, United States  
(+717) 944-1300  
[info@phoenixcon.com](mailto:info@phoenixcon.com)