

ST-OV3- 12DC/ 24DC/2 - Solid-state relay



2905187

<https://www.phoenixcontact.com/us/products/2905187>

Please be informed that the data shown in this PDF document is generated from our online catalog. Please find the complete data in the user documentation. Our general terms of use for downloads are valid.



Plug-in power solid-state relay, with LED and protective circuit in input and output circuits, input: 12 V DC, output: short-circuit-proof, 10 - 30 V DC/max. 2 A, can be plugged into basic terminal blocks

The figure shows version ST-OV
3- 5 DC/24 DC/2

Commercial data

Item number	2905187
Packing unit	10 pc
Minimum order quantity	1 pc
Sales key	C460
Product key	DK61B1
GTIN	4017918079321
Weight per piece (including packing)	28.78 g
Weight per piece (excluding packing)	30.23 g
Customs tariff number	85364190
Country of origin	DE

ST-OV3- 12DC/ 24DC/2 - Solid-state relay



2905187

<https://www.phoenixcontact.com/us/products/2905187>

Technical data

Product properties

Product type	Single solid-state relay
Data management status	
Date of last data management	01.04.2026

Electrical properties

Test voltage (Input/output)	2.5 kV AC (Input/output)
-----------------------------	--------------------------

Input data

Nominal input voltage U_N	12 V DC
Input voltage range in reference to U_N	0.8 ... 1.2
Input voltage range	9.6 V DC ... 14.4 V DC
Switching threshold "0" signal, voltage	≤ 4.2 V
Switching threshold "1" signal voltage	≥ 4.8 V
Typical input current at U_N	5 mA
Typical response time	17 μ s
Typical turn-off time	104 μ s
Status display	LED (yellow)
Protective circuit	Reverse polarity protection; Polarity protection diode Surge protection
Transmission frequency	1000 Hz

Output data

Design of digital output	electronic
Output voltage range	10 V DC ... 30 V DC
Limiting continuous current	2 A (see derating curve)
Peak offstate voltage	35 V DC (Collector-emitter reverse voltage)
Voltage drop at max. limiting continuous current	1.5 V
Output circuit	3-conductor, ground-referenced
Status display	LED (red)
Protective circuit	Reverse polarity protection; Polarity protection diode Free running; Freewheeling diode

Dimensions

Item dimensions

Width	20.8 mm
Height	33 mm
Depth	66.5 mm

Material specifications

Color	green (RAL 6021)
-------	------------------

ST-OV3- 12DC/ 24DC/2 - Solid-state relay



2905187

<https://www.phoenixcontact.com/us/products/2905187>

Environmental and real-life conditions

Ambient conditions

Ambient temperature (operation)	-20 °C ... 60 °C
Ambient temperature (storage/transport)	-20 °C ... 70 °C

Standards and regulations

Standards/regulations	DIN VDE 0110
-----------------------	--------------

Mounting

Mounting position	any
-------------------	-----

ST-OV3- 12DC/ 24DC/2 - Solid-state relay

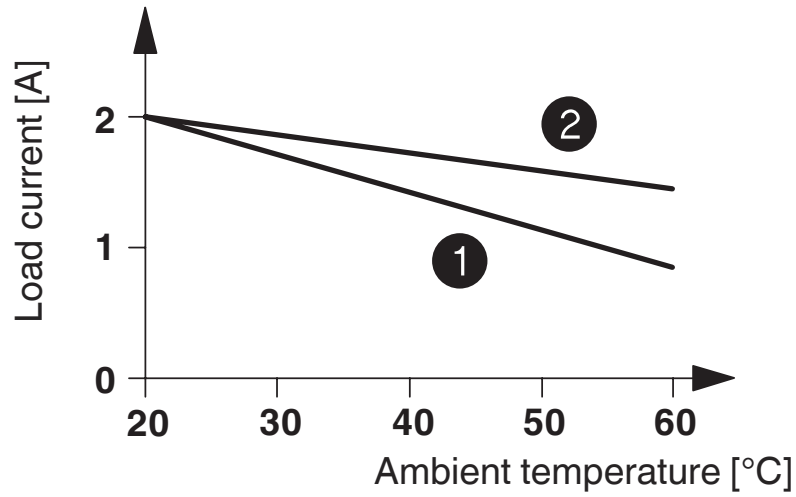
2905187

<https://www.phoenixcontact.com/us/products/2905187>



Drawings

Diagram



- ① In rows with zero spacing
- ② stand-alone device

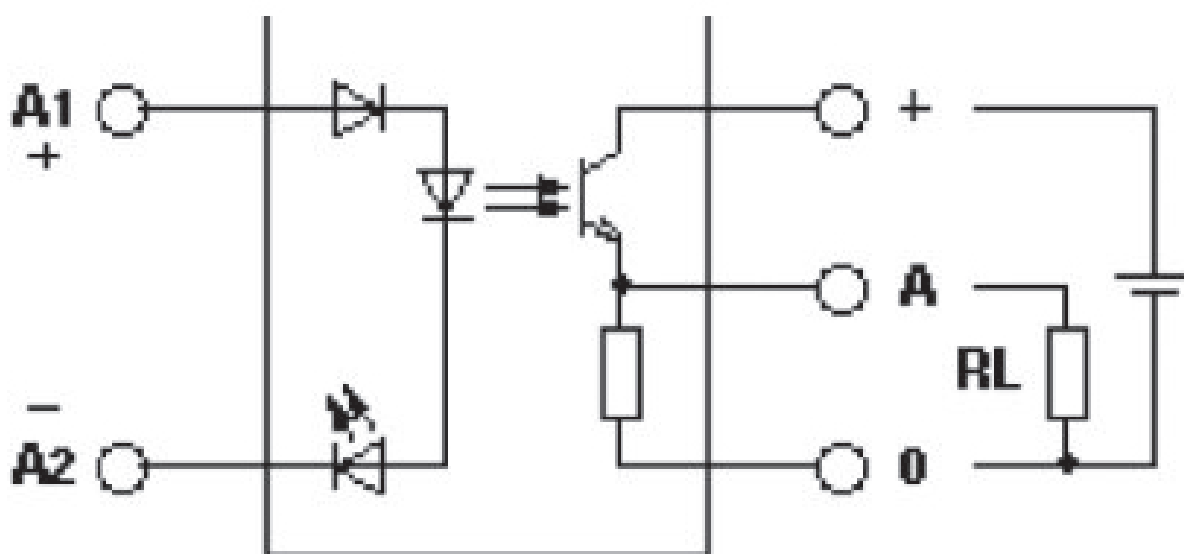
ST-OV3- 12DC/ 24DC/2 - Solid-state relay



2905187

<https://www.phoenixcontact.com/us/products/2905187>

Circuit diagram



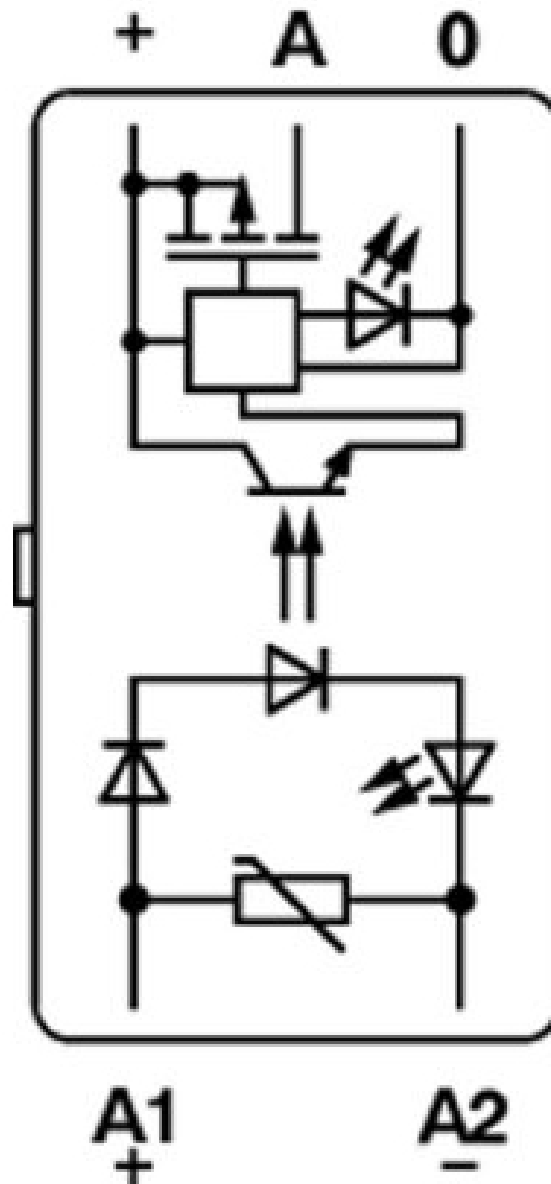
ST-OV3- 12DC/ 24DC/2 - Solid-state relay

2905187

<https://www.phoenixcontact.com/us/products/2905187>



Circuit diagram



ST-OV3- 12DC/ 24DC/2 - Solid-state relay



2905187

<https://www.phoenixcontact.com/us/products/2905187>

Classifications

ECLASS

ECLASS-13.0	27371604
ECLASS-15.0	27371604

ETIM

ETIM 10.0	EC001504
-----------	----------

UNSPSC

UNSPSC 21.0	39122300
-------------	----------

ST-OV3- 12DC/ 24DC/2 - Solid-state relay



2905187

<https://www.phoenixcontact.com/us/products/2905187>

Environmental product compliance

EU RoHS

Fulfills EU RoHS substance requirements	Yes
Exemption	7(a), 7(c)-I

China RoHS

Environment friendly use period (EFUP)	EFUP-50
	An article-related China RoHS declaration table can be found in the download area for the respective article under "Manufacturer declaration". For all articles with EFUP-E, no China RoHS declaration table issued and required.

EU REACH SVHC

REACH candidate substance (CAS No.)	Lead(CAS: 7439-92-1)
SCIP	91dc3c30-1d40-4b4e-8180-08273a10c358

EF3.1 Climate Change

CO2e kg	1.97 kg CO2e
---------	--------------

Phoenix Contact 2026 © - all rights reserved
<https://www.phoenixcontact.com>

Phoenix Contact USA
586 Fulling Mill Road
Middletown, PA 17057, United States
(+717) 944-1300
info@phoenixcon.com