

ELR H5-I-SC/500AC-06-IFS - Hybrid motor starter



2905157

<https://www.phoenixcontact.com/us/products/2905157>

Please be informed that the data shown in this PDF document is generated from our online catalog. Please find the complete data in the user documentation. Our general terms of use for downloads are valid.



Networkable hybrid motor starter for reversing 3~ AC motors up to 500 V AC, output current: 0.6 A, adjustable overload shutdown, and screw connection, DIN rail connector provided.

Your advantages

- 22.5 mm wide
- Reduction in wiring
- Space saving
- Long service life
- 3-phase loop bridges
- Adjustable current for bimetal function
- Low-wear switching

Commercial data

| | |
|--------------------------------------|--------------------------------|
| Item number | 2905157 |
| Packing unit | 1 pc |
| Note | Made to order (non-returnable) |
| Sales key | C474 |
| Product key | DK7442 |
| GTIN | 4046356920124 |
| Weight per piece (including packing) | 290 g |
| Weight per piece (excluding packing) | 282.7 g |
| Customs tariff number | 85371098 |
| Country of origin | DE |

Technical data

Product properties

| | |
|----------------|-----------------------|
| Product type | Hybrid motor starters |
| Product family | CONTACTRON |
| Operating mode | 100% operating factor |

Electrical properties

| | |
|---|-------------------------|
| Number of phases | 3 |
| Motor starter type | Reversing starter |
| Switching frequency | ≤ 2 Hz (Load-dependent) |
| Maximum power dissipation for nominal condition | 0.5 W |
| Switching frequency | ≤ 2 Hz (Load-dependent) |
| Maximum power dissipation | 2.5 W |
| Minimum power dissipation | 0.88 W |
| Coordination type | 1 |

Supply

| | |
|--|---|
| Rated control circuit supply voltage U_S | 24 V DC |
| Control supply voltage range | 19.2 V DC ... 30 V DC |
| Rated control supply current I_S | 60 mA |
| Protective circuit | Surge protection Reverse polarity protection; Parallel polarity protection diode |

Insulation characteristics

| | |
|--|---|
| Rated insulation voltage | 550 V |
| Rated surge voltage | 6 kV |
| Overvoltage category | III |
| Degree of pollution | 2 |
| Insulation characteristics between the control input and control supply voltage, and auxiliary circuit to the main circuit | Safe isolation (IEC 60947-1) |
| Isolation characteristics between the control input and control supply voltage to auxiliary circuit | Safe isolation (IEC 60947-1) in the auxiliary circuit ≤ 300 V AC Safe isolation (EN 50178) in the auxiliary circuit ≤ 300 V AC |

Emergency tripping

| | |
|-------------------|---------|
| Operate threshold | > 10 A |
| Response time | < 0.5 s |

Output data

AC output

| | |
|-------------------------------|---------------------------------|
| Rated operating voltage U_e | 500 V AC |
| Operating voltage range | 42 V AC ... 550 V AC |
| Rated operating current I_e | 0.6 A (AC-51) 0.6 A (AC-53a) |
| Mains frequency | 50/60 Hz |

ELR H5-I-SC/500AC-06-IFS - Hybrid motor starter



2905157

<https://www.phoenixcontact.com/us/products/2905157>

| | |
|---|------------------------------------|
| Load current range | 75 mA ... 600 mA (see to derating) |
| Trigger characteristic in acc. with IEC 60947-4-2 | Class 10 |
| Cooling time | 20 min (for auto reset) |
| Leakage current | 0 mA |
| Protective circuit | Surge protection; Varistor |

Connection data

Control circuits

| | |
|----------------------------------|--|
| Connection method | Screw connection |
| Stripping length | 8 mm |
| Screw thread | M3 |
| Conductor cross-section rigid | 0.2 mm ² ... 2.5 mm ² |
| Conductor cross-section flexible | 0.2 mm ² ... 2.5 mm ² |
| Conductor cross-section AWG | 24 ... 14 |
| Tightening torque | 0.5 Nm ... 0.6 Nm 5 lb _f -in. ... 7 lb _f -in. |

Load circuit

| | |
|----------------------------------|--|
| Connection method | Screw connection |
| Stripping length | 8 mm |
| Screw thread | M3 |
| Conductor cross-section rigid | 0.2 mm ² ... 2.5 mm ² |
| Conductor cross-section flexible | 0.2 mm ² ... 2.5 mm ² |
| Conductor cross-section AWG | 24 ... 14 |
| Tightening torque | 0.5 Nm ... 0.6 Nm 5 lb _f -in. ... 7 lb _f -in. |

Signaling

| | |
|---------------------------|--------------|
| Status display | LED (yellow) |
| Operating voltage display | Green LED |
| Error indication | Red LED |

Dimensions

| | |
|--------|---------|
| Width | 22.5 mm |
| Height | 107 mm |
| Depth | 114 mm |

Material specifications

| | |
|--|--------------|
| Flammability rating according to UL 94 (Housing) | V0 (Housing) |
|--|--------------|

Environmental and real-life conditions

Ambient conditions

| | |
|---------------------------------|------------------------------------|
| Degree of protection | IP20 |
| Ambient temperature (operation) | -5 °C ... 60 °C (observe derating) |

2905157

<https://www.phoenixcontact.com/us/products/2905157>

| | |
|---|------------------|
| Ambient temperature (storage/transport) | -40 °C ... 80 °C |
| Altitude | ≤ 2000 m |

Approvals

UL approval

| | |
|-------------|--------------|
| Certificate | NLDX.E228652 |
| | NRNT.E172140 |

UL data

| | |
|--------------------|---|
| SCCR | 100 kA (480 V AC (fuse: 30 A class CC/30 A class J (high fault))) |
| | 5 kA (480 V AC (fuse: 20 A RK5 (standard fault))) |
| FLA | 0.6 A (480 V AC) |
| Group installation | 20 A (class RK5, SCCR 5kA (480 V AC), #24 - 14 AWG max. solid and stranded) |
| | 30 A (class CC or J, SCCR 100kA (480 V AC), #24 - 14 AWG max. solid and stranded) |
| Category code | NLDX / NRNT |

Standards and regulations

Standards/regulations

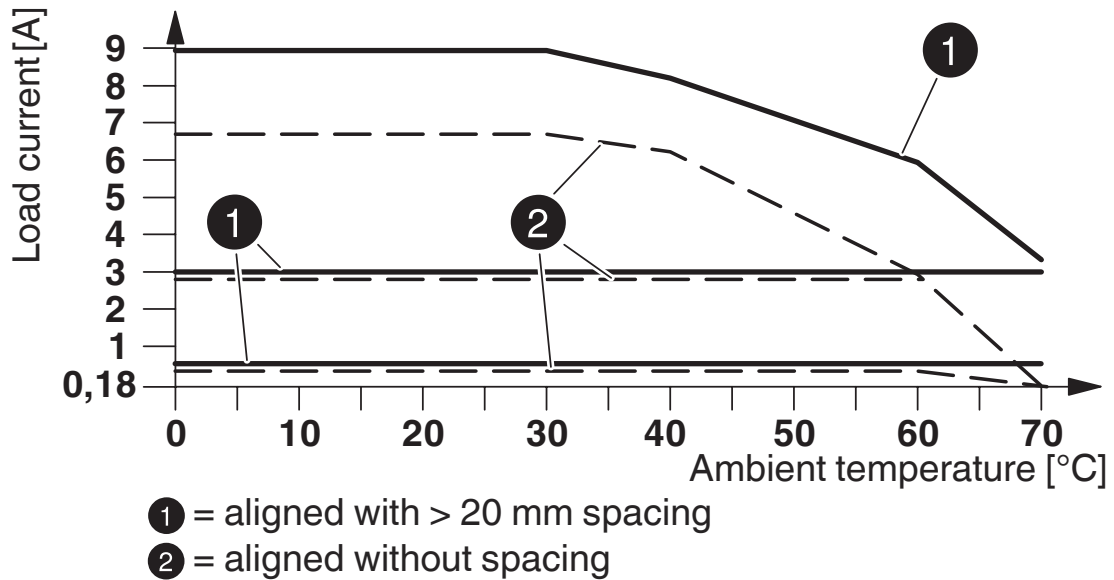
| | |
|-----------------------|--------------|
| Standards/regulations | IEC 60947-1 |
| | EN 60947-4-2 |

Mounting

| | |
|-------------------|--|
| Mounting type | DIN rail mounting |
| Assembly note | alignable, for spacing see derating |
| Mounting position | vertical (horizontal DIN rail, motor output below) |

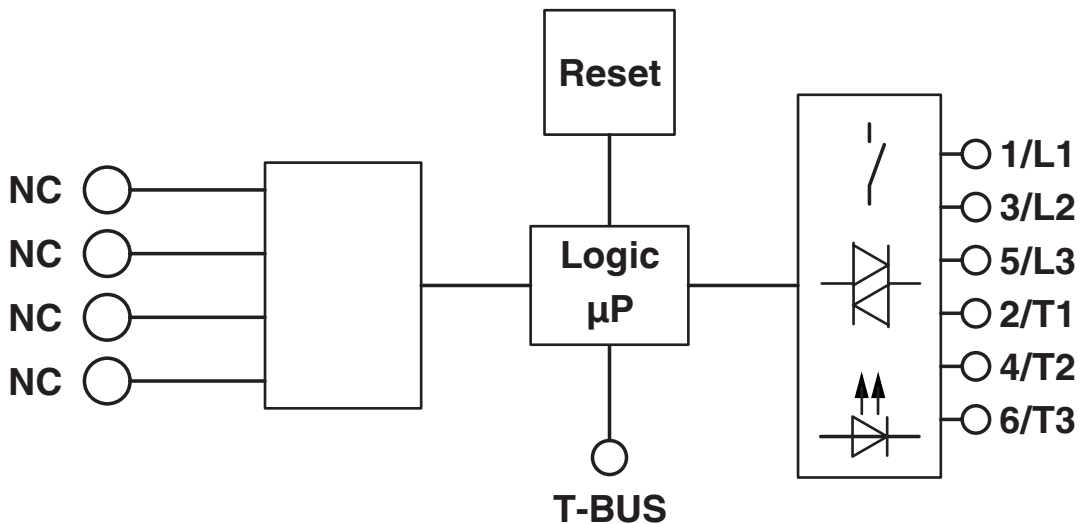
Drawings

Diagram



Derating diagram

Block diagram



ELR H5-I-SC/500AC-06-IFS - Hybrid motor starter



2905157

<https://www.phoenixcontact.com/us/products/2905157>

Classifications

UNSPSC

| | |
|-------------|----------|
| UNSPSC 21.0 | 25173900 |
|-------------|----------|

2905157

<https://www.phoenixcontact.com/us/products/2905157>

Environmental product compliance

EU RoHS

| | |
|---|--------------|
| Fulfills EU RoHS substance requirements | Yes |
| Exemption | 7(a), 7(c)-I |

China RoHS

| | |
|--|---|
| Environment friendly use period (EFUP) | EFUP-50 |
| | An article-related China RoHS declaration table can be found in the download area for the respective article under "Manufacturer declaration". For all articles with EFUP-E, no China RoHS declaration table issued and required. |

EU REACH SVHC

| | |
|-------------------------------------|----------------------|
| REACH candidate substance (CAS No.) | Lead(CAS: 7439-92-1) |
|-------------------------------------|----------------------|

Phoenix Contact 2026 © - all rights reserved
<https://www.phoenixcontact.com>

Phoenix Contact USA
586 Fulling Mill Road
Middletown, PA 17057, United States
(+717) 944-1300
info@phoenixcon.com