

UM-D37M/DS/FU/LED/AO/C300/R - Termination board

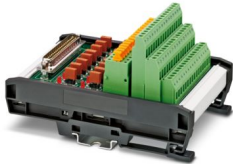


2905131

<https://www.phoenixcontact.com/us/products/2905131>

Please be informed that the data shown in this PDF document is generated from our online catalog. Please find the complete data in the user documentation. Our general terms of use for downloads are valid.

16-channel module for Honeywell C300 analog output cards with disconnect, test points, socketed 500 mA fuses and fuse status indicator.



Your advantages

- These VARIOFACE modules are used in combination with the relevant front adapters
- UM-PRO housing
- LED blown fusing indication
- Per channel shield connection
- Per channel disconnects with test points
- Per channel pluggable 500 mA fusing

Commercial data

Item number	2905131
Packing unit	1 pc
Minimum order quantity	1 pc
Note	Made to order (non-returnable)
Sales key	C421
Product key	DK218H
GTIN	4046356947084
Weight per piece (including packing)	407.9 g
Weight per piece (excluding packing)	407.9 g
Customs tariff number	85371098
Country of origin	US

2905131

<https://www.phoenixcontact.com/us/products/2905131>

Technical data

Product properties

Product type	Interface module
Product family	VARIOFACE
Number of positions	37
No. of channels	16

Electrical properties

Nominal voltage U_N	24 V DC
Max. current carrying capacity per branch	500 mA (fuse limited)
Max. total current of voltage supply	4 A (via D-SUB)

Supported controller: HONEYWELL Experion PKS C300/C-Series

Suitable I/O card	TAOX01 (non-redundant)
	TAOX11 (redundant)
	TAOX51 (non-redundant)
	TAOX61 (redundant)
	TAON01 (non-redundant)
	TAON11 (redundant)

Supported controller: HONEYWELL Experion LX Series 8

Suitable I/O card	8X-TAOXA1
	8X-TAOXB1

Connection data

Field level

Connection method	Screw connection with disconnect knife
Stripping length	8 mm
Screw thread	M 3
Conductor cross-section rigid	0.2 mm ² ... 4 mm ²
Conductor cross-section flexible	0.2 mm ² ... 2.5 mm ²
Conductor cross-section AWG	24 ... 12

Controller level

Connection method	D-SUB pin strip
Number of connections	1
Number of positions	37

Signaling

Status display	no
Status display present	yes, if the fuse fails

Dimensions

2905131

<https://www.phoenixcontact.com/us/products/2905131>

Item dimensions

Width	104 mm
Height	142.3 mm
Depth	79 mm

Environmental and real-life conditions

Ambient conditions

Ambient temperature (operation)	-40 °C ... 60 °C
Ambient temperature (storage/transport)	-40 °C ... 75 °C

Standards and regulations

Standards/regulations	DIN EN 50178
-----------------------	--------------

Mounting

Mounting type	DIN rail mounting
Assembly note	in rows with zero spacing
Mounting position	any

Notes

General	Standard or halogen-free cables
Notes on operation	For proper use, the specifications of the installation directive (see Downloads) must be observed. For applications or use with third-party products, the specifications, and the safety and warning instructions of the respective third-party manufacturer must also be met.

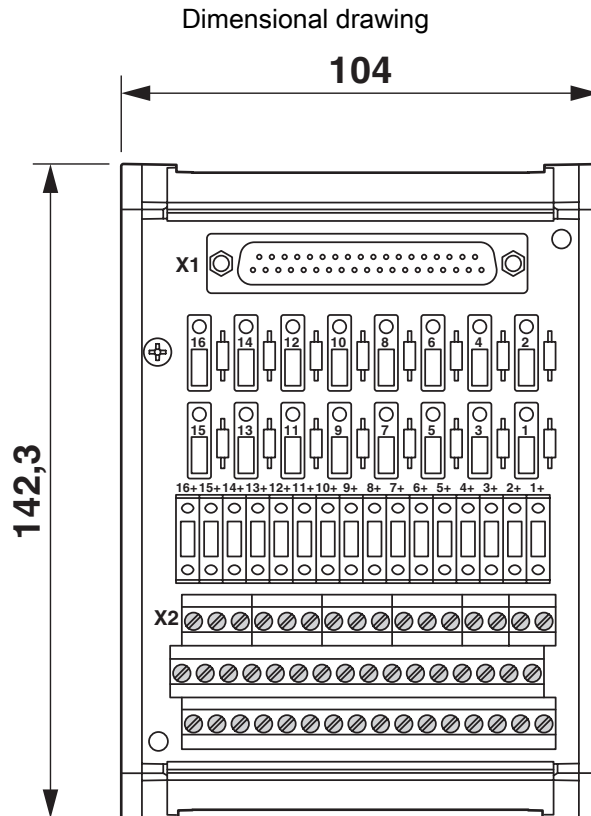
UM-D37M/DS/FU/LED/AO/C300/R - Termination board



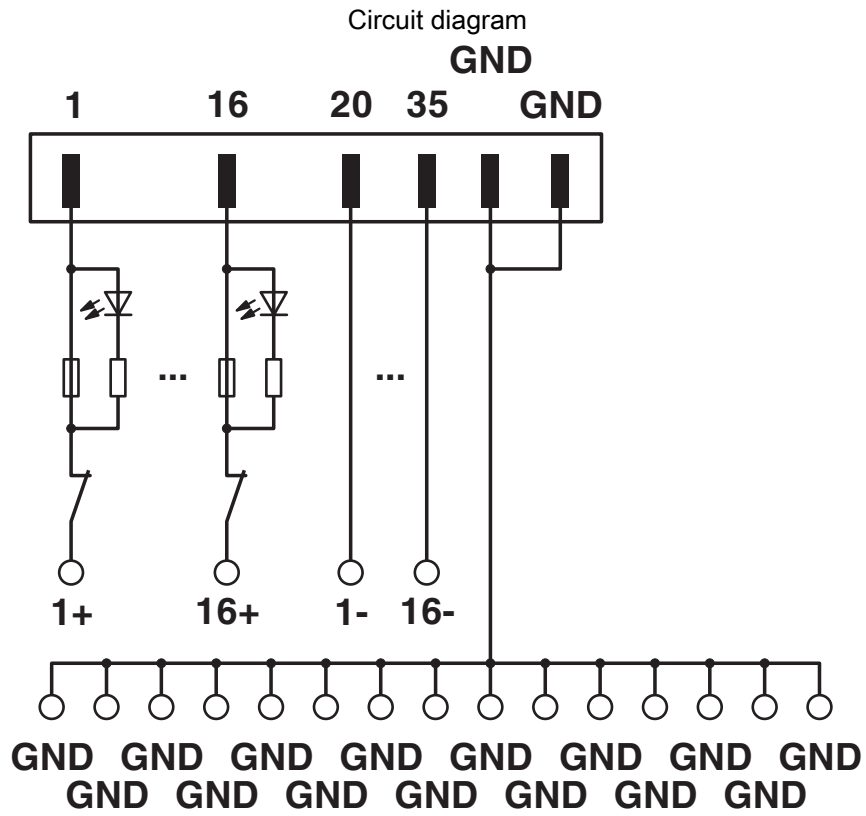
2905131

<https://www.phoenixcontact.com/us/products/2905131>

Drawings



dimensional drawing of left hand version



2905131

<https://www.phoenixcontact.com/us/products/2905131>

Approvals

To download certificates, visit the product detail page: <https://www.phoenixcontact.com/us/products/2905131>



cUL Recognized
Approval ID: E238705



UL Recognized
Approval ID: E238705

2905131

<https://www.phoenixcontact.com/us/products/2905131>

Classifications

ECLASS

ECLASS-13.0	27141152
ECLASS-15.0	27141152

ETIM

ETIM 10.0	EC002780
-----------	----------

UNSPSC

UNSPSC 21.0	39121400
-------------	----------

2905131

<https://www.phoenixcontact.com/us/products/2905131>

Environmental product compliance

EU RoHS

Fulfills EU RoHS substance requirements	Yes
Exemption	6(c)

China RoHS

Environment friendly use period (EFUP)	EFUP-50
	An article-related China RoHS declaration table can be found in the download area for the respective article under "Manufacturer declaration". For all articles with EFUP-E, no China RoHS declaration table issued and required.

EU REACH SVHC

REACH candidate substance (CAS No.)	Lead(CAS: 7439-92-1)
SCIP	1ec3aec2-ffb6-4a1b-83d8-e4d3f67d7412

Phoenix Contact 2026 © - all rights reserved

<https://www.phoenixcontact.com>

Phoenix Contact USA
 586 Fulling Mill Road
 Middletown, PA 17057, United States
 (+717) 944-1300
info@phoenixcon.com