

POWERSET BC-385/3+1-100/FM - Type 1+2 special combined lightning current and surge arrester



2905036

<https://www.phoenixcontact.com/us/products/2905036>

Please be informed that the data shown in this PDF document is generated from our online catalog. Please find the complete data in the user documentation. Our general terms of use for downloads are valid.



Lightning and surge arrester combination, in accordance with Type 1+2/Class I+II, for 3-phase power supply networks, with separate N and PE (L1, L2, L3, PE, N). Consisting of 3x FLT 35 CTRL-4.0 and 3x VAL-MS 400/FM and 1x FLT 100N/PE-1.5, incl. bridges and marking.

Commercial data

Item number	2905036
Packing unit	1 pc
Minimum order quantity	1 pc
Product key	CL1221
GTIN	4046356913966
Weight per piece (including packing)	1,293.3 g
Weight per piece (excluding packing)	1,112.6 g
Country of origin	IN

POWERSET BC-385/3+1-100/FM - Type 1+2 special combined lightning current and surge arrester



2905036

<https://www.phoenixcontact.com/us/products/2905036>

Set consists of

FLT 100 N/PE CTRL-3.0 - Type 1+2 combined lightning current and surge arrester

2905834

<https://www.phoenixcontact.com/us/products/2905834>



Lightning current arrester with encapsulated N-PE spark gap and ignition electronics, 1-channel. Voltage protection level: 3 kV. Housing width: 35 mm (2 pitches)

FLT 35 CTRL-4.0 - Type 1+2 combined lightning current and surge arrester

2801635

<https://www.phoenixcontact.com/us/products/2801635>



Type 1/Class I/B arrester (lightning current arrester) with encapsulated arc chopping spark gap and ignition electronics, single-channel. Voltage protection level: 4 kV. Housing width: 17.5 mm (1 HP)

POWERSET BC-385/3+1-100/FM - Type 1+2 special combined lightning current and surge arrester



2905036

<https://www.phoenixcontact.com/us/products/2905036>

VAL-MS BE/FM - Type 2 surge protection base element

2817738

<https://www.phoenixcontact.com/us/products/2817738>

Base element for type 2 arresters of the VALVETRAB MS series of products, with remote indication contact. Design: 1-channel



VAL-MS 400 ST - Type 2 surge protection plug

2816399

<https://www.phoenixcontact.com/us/products/2816399>

Surge protection connector type 2 with high-capacity varistor for VAL-MS base element, thermal monitoring, visual fault warning. Design: 400 V AC



POWERSET BC-385/3+1-100/FM - Type 1+2 special combined lightning current and surge arrester



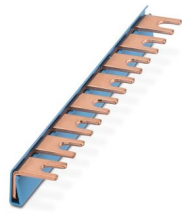
2905036

<https://www.phoenixcontact.com/us/products/2905036>

MPB 18/1- 8 BU - Wiring bridge

2858470

<https://www.phoenixcontact.com/us/products/2858470>

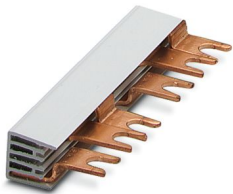


Wiring bridge for modules with connecting pitch 17.5 mm, 1-phase, 8-pos., color: Blue

MPB 18/3- 6 - Wiring bridge

2809241

<https://www.phoenixcontact.com/us/products/2809241>



Wiring bridge for modules with connecting pitch 17.5 mm, 3-phase, 6-pos.

POWERSET BC-385/3+1-100/FM - Type 1+2 special combined lightning current and surge arrester



2905036

<https://www.phoenixcontact.com/us/products/2905036>

Technical data

Product properties

Product type	Arrester combination
IEC test classification	I + II
	T1 + T2
EN type	T1 + T2
IEC power supply system	TN
	TT
Type	DIN rail module, two-section, divisible
Number of positions	4
Surge protection fault message	Optical (Type 2 arrester), remote indication contact (Type 2 arrester)
Number of ports	One

Connection data

FLT 35 CTRL-4.0

Connection method	Screw connection
Screw thread	M5
Tightening torque	4.5 Nm
Stripping length	14.5 mm

VAL-MS BE/FM

Connection method	Screw connection
Screw thread	M5
Tightening torque	3 Nm (1.5 mm ² ... 16 mm ²)
	4.5 Nm (25 mm ² ... 35 mm ²)
Stripping length	16 mm

FLT 100 N/PE CTRL-3.0

Connection method	Screw connection
Screw thread	M6
Tightening torque	8 Nm
Stripping length	19 mm
Conductor cross-section flexible	1.5 mm ² ... 25 mm ²
Conductor cross-section rigid	1.5 mm ² ... 35 mm ²
Conductor cross-section AWG	15 ... 2

Material specifications

Color	black (RAL 9005)
-------	------------------

Mechanical properties

POWERSET BC-385/3+1-100/FM - Type 1+2 special combined lightning current and surge arrester



2905036

<https://www.phoenixcontact.com/us/products/2905036>

Mechanical data

Open side panel	No
-----------------	----

Protective circuit

Direction of action	3L-N & N-PE
Nominal voltage U_N	230/400 V AC (TN)
	230/400 V AC (TT)
Nominal discharge current I_n (8/20) μ s (L-N)	20 kA
Nominal discharge current I_n (8/20) μ s (N-PE)	100 kA
Impulse discharge current (10/350) μ s (L-N), peak current value I_{imp}	35 kA
Impulse discharge current (10/350) μ s (N-PE), peak current value I_{imp}	100 kA

Environmental and real-life conditions

Ambient conditions

Degree of protection	IP20 (only when all terminal points are used)
Ambient temperature (operation)	-40 °C ... 80 °C
Permissible humidity (operation)	5 % ... 95 %

Standards and regulations

Standards/specifications	IEC 61643-11
Note	2011
Standards/specifications	EN 61643-11
Note	2012

Mounting

Mounting type	DIN rail: 35 mm
---------------	-----------------

POWERSET BC-385/3+1-100/FM - Type 1+2 special combined lightning current and surge arrester

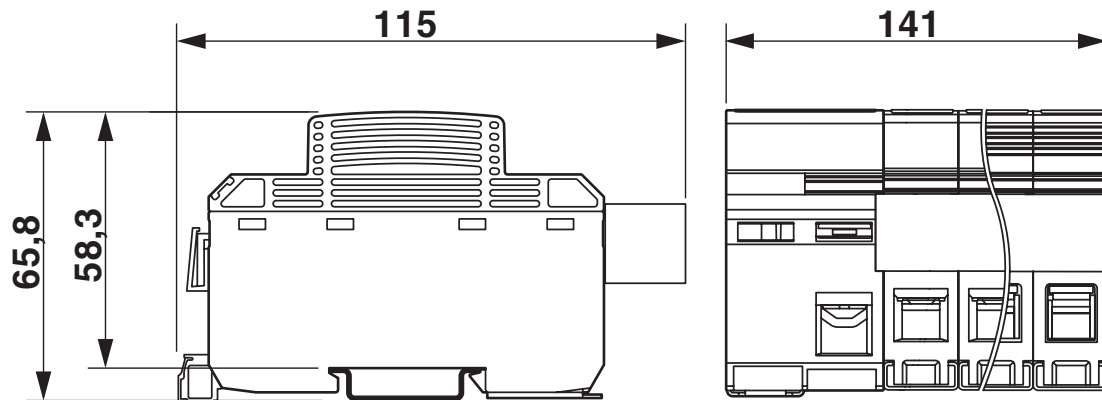


2905036

<https://www.phoenixcontact.com/us/products/2905036>

Drawings

Dimensional drawing



POWERSET BC-385/3+1-100/FM - Type 1+2 special combined lightning current and surge arrester



2905036

<https://www.phoenixcontact.com/us/products/2905036>

Classifications

ECLASS

ECLASS-13.0

27171204

ETIM

ETIM 9.0

EC001457

UNSPSC

UNSPSC 21.0

39121600

POWERSET BC-385/3+1-100/FM - Type 1+2 special combined lightning current and surge arrester



2905036

<https://www.phoenixcontact.com/us/products/2905036>

Environmental product compliance

EU RoHS

Fulfills EU RoHS substance requirements	Yes
Exemption	7(c)-I

China RoHS

Environment friendly use period (EFUP)	EFUP-50
	An article-related China RoHS declaration table can be found in the download area for the respective article under "Manufacturer declaration". For all articles with EFUP-E, no China RoHS declaration table issued and required.

EU REACH SVHC

REACH candidate substance (CAS No.)	No substance above 0.1 wt%
-------------------------------------	----------------------------

Phoenix Contact 2026 © - all rights reserved
<https://www.phoenixcontact.com>

Phoenix Contact USA
586 Fulling Mill Road
Middletown, PA 17057, United States
(+717) 944-1300
info@phoenixcon.com