

# SCK-RSD-100 - Photovoltaic panel switch-off



2905029

<https://www.phoenixcontact.com/us/products/2905029>

Please be informed that the data shown in this PDF document is generated from our online catalog. Please find the complete data in the user documentation. Our general terms of use for downloads are valid.



Photovoltaic panel shutdown, SOLARCHECK RSD shutdown unit for safe isolation of PV panels from the string group.

## Product description

Intelligent photovoltaic panel shutdown with Auto Rapid Shutdown:

Based on the analysis of current and voltage conditions in the string lines and in the individual panels, the SOLARCHECK RSD system shutdown units are able to distinguish between the various operating states. In accordance with the fail-safe principle, any deviation from a normal operating state leads to a shutdown, regardless of whether the inverter is shut down, a string line or panel is defective, etc. The intelligent startup unit automatically puts the system back into operation when a safe and technically faultless system environment is present. SOLARCHECK RSD tracks the operating state of the inverter. The system can therefore easily be manually switched on and off via the inverter, for maintenance purposes, for example. This technology, developed and patented by Phoenix Contact, is more reliable and faster than any human assessment or manual intervention.

## Your advantages

- Safety as a result of patented error detection and safe photovoltaic panel shutdown
- Controlled restart via safe autostart
- No additional communication required, either wirelessly or via cables
- Easy to install in new and existing systems using existing DC cables
- Easy startup without any programming or manual setup

## Commercial data

Item number	2905029
Packing unit	1 pc
Minimum order quantity	1 pc
Note	Made to order (non-returnable)
Sales key	C447
Product key	CMMD21
GTIN	4046356914598
Weight per piece (including packing)	433 g
Weight per piece (excluding packing)	368 g
Customs tariff number	85371098
Country of origin	DE

# SCK-RSD-100 - Photovoltaic panel switch-off



2905029

<https://www.phoenixcontact.com/us/products/2905029>

## Technical data

### Product properties

#### Insulation characteristics

Overvoltage category	III
Pollution degree	3

### Electrical properties

Rated surge voltage	12 kV
Operating voltage range	20 V DC ... 50 V DC
Power dissipation	< 1.5 W

#### Supply

Power dissipation	≤ 1000 mW (typical operation at 8 A / 40 V) ≤ 1500 mW (at 10 A / 50 V)
-------------------	---

### Connection data

Connection method	PV connector
-------------------	--------------

### Dimensions

Width	119 mm
Height	175 mm
Depth	32 mm

### Environmental and real-life conditions

#### Ambient conditions

Degree of protection	IP65 IP67
Ambient temperature (operation)	-40 °C ... 85 °C
Ambient temperature (storage/transport)	-40 °C ... 85 °C
Altitude	≤ 4000 m
Permissible humidity (operation)	10 % ... 95 %

### EMC data

Electromagnetic compatibility	Conformance with EMC directive
-------------------------------	--------------------------------

### Standards and regulations

#### Standards

Standards/regulations	EN 61010 EN 50548 +A1:2013 +A2:2014 EN 61058-1:2002 +A2:2008
-----------------------	--

### Mounting

# SCK-RSD-100 - Photovoltaic panel switch-off



2905029

<https://www.phoenixcontact.com/us/products/2905029>

---

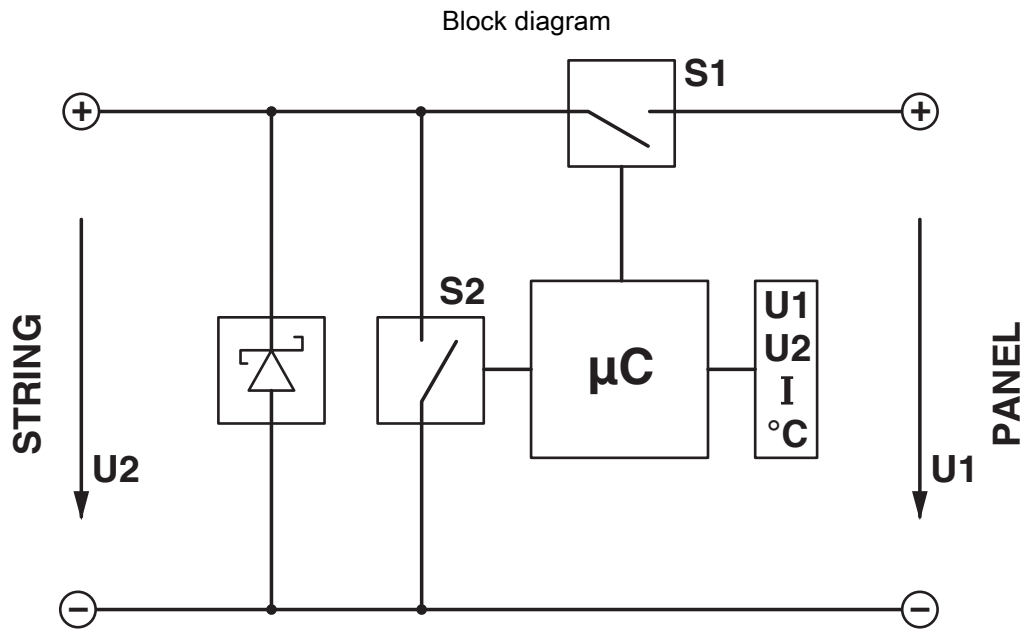
Mounting type	Mounting screws
---------------	-----------------

# SCK-RSD-100 - Photovoltaic panel switch-off

2905029

<https://www.phoenixcontact.com/us/products/2905029>

## Drawings



# SCK-RSD-100 - Photovoltaic panel switch-off



2905029

<https://www.phoenixcontact.com/us/products/2905029>

## Environmental product compliance

### China RoHS

Environment friendly use period (EFUP)	EFUP-50
	An article-related China RoHS declaration table can be found in the download area for the respective article under "Manufacturer declaration". For all articles with EFUP-E, no China RoHS declaration table issued and required.

### EU REACH SVHC

REACH candidate substance (CAS No.)	No substance above 0.1 wt%
-------------------------------------	----------------------------

Phoenix Contact 2026 © - all rights reserved  
<https://www.phoenixcontact.com>

Phoenix Contact USA  
586 Fulling Mill Road  
Middletown, PA 17057, United States  
(+717) 944-1300  
[info@phoenixcon.com](mailto:info@phoenixcon.com)