

MACX PL-T-UIREL-UP - Temperature measuring transducer



2904901

<https://www.phoenixcontact.com/us/products/2904901>

Please be informed that the data shown in this PDF document is generated from our online catalog. Please find the complete data in the user documentation. Our general terms of use for downloads are valid.



Freely programmable temperature transducer with analog output and 3 limit value relays, standard configuration, resistance thermometer in 2-, 3-, or 4-conductor technology, thermocouples, screw connection, PLd. Replacement part: 2811378 MACX MCR-T-UIREL-UP.

Commercial data

Item number	2904901
Packing unit	1 pc
Note	Made to order (non-returnable)
Sales key	C401
Product key	DK1115
GTIN	4046356898768
Weight per piece (including packing)	310.6 g
Weight per piece (excluding packing)	310.6 g
Customs tariff number	85437090
Country of origin	DE

MACX PL-T-UIREL-UP - Temperature measuring transducer



2904901

<https://www.phoenixcontact.com/us/products/2904901>

Technical data

Product properties

Product type	Temperature transmitter
--------------	-------------------------

Insulation characteristics

Overvoltage category	II
Pollution degree	2

Electrical properties

Electrical isolation	4-way, between input/output/power supply/switching output
Maximum temperature coefficient	0.01 %/K
Maximum transmission error	0.1 % (e.g. for Pt 100, 300 K span, 4 ... 20 mA)

Electrical isolation Input/output/power supply

Rated insulation voltage	300 V _{rms}
Test voltage	2.5 kV AC (50 Hz, 60 s)
Insulation	Safe isolation in accordance with IEC/EN 61010-1

Electrical isolation Input/output

Electrical isolation	375 V (Peak value in accordance with IEC/EN 60079-11)
----------------------	---

Electrical isolation Input/power supply

Electrical isolation	375 V (Peak value in accordance with IEC/EN 60079-11)
----------------------	---

Electrical isolation Input/switching output

Electrical isolation	375 V (Peak value in accordance with IEC/EN 60079-11)
----------------------	---

Supply

Supply voltage range	24 V ... 230 V AC/DC (-20 % ... +10 %, 50 Hz ... 60 Hz)
Power consumption	< 2.4 W

Input data

Signal

Number of inputs	1
Input signal	Temperature
	Resistor
	Voltage

Measurement

Sensor types (RTD) that can be used	Pt, Ni, Cu sensors: 2, 3, 4-wire
Sensor types that can be used (TC)	B, E, J, K, N, R, S, T, L, U, CA, DA, A1G, A2G, A3G, MG, LG
Temperature measuring range	-200 °C ... 850 °C
Linear resistance measuring range	0 Ω ... 50 kΩ
Potentiometer resistance range	0 Ω ... 50 kΩ
Linear mV signal range	-1000 mV ... 1000 mV

MACX PL-T-UIREL-UP - Temperature measuring transducer



2904901

<https://www.phoenixcontact.com/us/products/2904901>

Output data

Switching: Relay

Output description	1 SIL/PL
Configurable/programmable	Yes
Contact switching type	2 changeover contacts
Contact material	AgSnO ₂ , hard gold-plated
Maximum switching voltage	250 V AC (250 V DC)
Maximum inrush current	2 A (250 V AC)
	2 A (28 V DC)
	0.2 A (120 V DC)

Signal

Number of outputs	1
Configurable/programmable	Yes
Current output signal	4 mA ... 20 mA (in the case of SIL; further free configuration without SIL)
Max. current output signal	22 mA
Load/output load current output	≤ 600 Ω (at 20 mA)
Behavior in the event of a sensor error	according to NE 43 or freely configurable

Connection data

Connection method	Screw connection
Screw thread	M3
Conductor cross-section rigid	0.2 mm ² ... 2.5 mm ²
Conductor cross-section flexible	0.2 mm ² ... 2.5 mm ²
Conductor cross-section AWG	24 ... 14

Dimensions

Width	35 mm
Height	99 mm
Depth	114.5 mm

Material specifications

Color	yellow (RAL 1018)
Flammability rating according to UL 94 (Housing)	V0 (Housing)
Housing material	PA 6.6-FR

Environmental and real-life conditions

Ambient conditions

Ambient temperature (operation)	-20 °C ... 65 °C
Ambient temperature (storage/transport)	-40 °C ... 85 °C
Altitude	≤ 2000 m
Permissible humidity (operation)	typ. 5 % ... 95 % (non-condensing)

MACX PL-T-UIREL-UP - Temperature measuring transducer



2904901

<https://www.phoenixcontact.com/us/products/2904901>

Approvals

CE

Certificate	CE-compliant
-------------	--------------

ATEX

Identification	Ⓜ II 3 G Ex nA nC ic IIC T4 Gc X
Certificate	IBExU 10 ATEX B001 X

IECEX

Identification	Ex nA nC ic IIC T4 Gc X
Certificate	IECEX IBE 10.0011 X

UL, USA/Canada

Identification	UL 508 Listed
	Class I, Div. 2, Groups A, B, C, D T6
	Class I, Zone 2, Group IIC T6

Shipbuilding approval

Identification	C, EMC2
Certificate	DNV GL 11 564-14HH

Safety Integrity Level (SIL, IEC 61508)

Identification	2
----------------	---

Performance Level (ISO 13849)

Identification	d
----------------	---

EMC data

Electromagnetic compatibility	Conformance with EMC directive
Noise immunity	EN 61000-6-2
Note	When being exposed to interference, there may be minimal deviations.

Standards and regulations

Electrical isolation	4-way, between input/output/power supply/switching output
----------------------	---

Mounting

Mounting type	DIN rail mounting
---------------	-------------------

MACX PL-T-UIREL-UP - Temperature measuring transducer

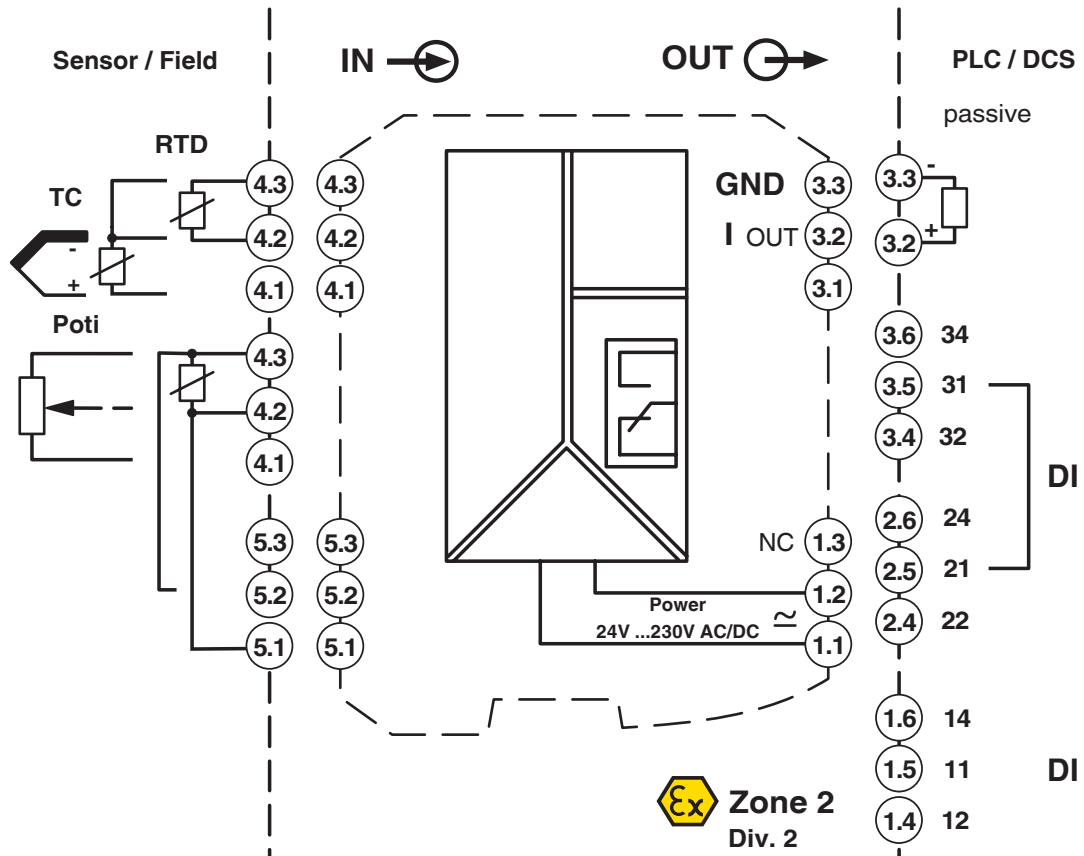


2904901

<https://www.phoenixcontact.com/us/products/2904901>

Drawings

Block diagram



MACX PL-T-UIREL-UP - Temperature measuring transducer



2904901

<https://www.phoenixcontact.com/us/products/2904901>

Environmental product compliance

China RoHS

Environment friendly use period (EFUP)	EFUP-50
	An article-related China RoHS declaration table can be found in the download area for the respective article under "Manufacturer declaration". For all articles with EFUP-E, no China RoHS declaration table issued and required.

EU REACH SVHC

REACH candidate substance (CAS No.)	No substance above 0.1 wt%
-------------------------------------	----------------------------

Phoenix Contact 2026 © - all rights reserved
<https://www.phoenixcontact.com>

Phoenix Contact USA
586 Fulling Mill Road
Middletown, PA 17057, United States
(+717) 944-1300
info@phoenixcon.com