

# RAD-900-ANT-OMNI-2-N - Antenna

2904802

<https://www.phoenixcontact.com/us/products/2904802>

Please be informed that the data shown in this PDF document is generated from our online catalog. Please find the complete data in the user documentation. Our general terms of use for downloads are valid.



Omnidirectional antenna, 868 MHz/900 MHz, gain: 2.15 dBi, polarization: linear, opening angle: h/v 360°/50°, degree of protection: IP66, connection: N (female), for control cabinet mounting (optional panel mounting)

## Your advantages

- For multipoint or mesh connections
- For freely mobile applications

## Commercial data

Item number	2904802
Packing unit	1 pc
Minimum order quantity	1 pc
Sales key	DN23
Product key	DNC6A3
GTIN	4046356916844
Weight per piece (including packing)	175 g
Weight per piece (excluding packing)	171.5 g
Customs tariff number	85177100
Country of origin	CN

# RAD-900-ANT-OMNI-2-N - Antenna

2904802

<https://www.phoenixcontact.com/us/products/2904802>

## Technical data

### Notes

#### Note on application

Note on application	Only for industrial use
---------------------	-------------------------

### Product properties

Product type	Antenna
Gain	2.15 dBi
Vertical beamwidth	50 °
Horizontal beamwidth	360 °
Polarization	Linear vertical

### Electrical properties

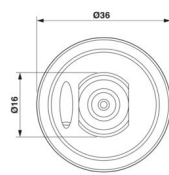
Frequency band	900 MHz
Frequency range	868 MHz ... 960 MHz
Impedance	50 Ω
Maximum capacity	100.00 W
Voltage standing wave ratio VSWR in a 50 Ω system	≤ 2.50

### Connection data

#### Connection technology

Connection method	N (female)
-------------------	------------

### Dimensions

Dimensional drawing	
Height	84 mm
Diameter	36 mm

### Material specifications

Material	Xenoy 5720U-7014
----------	------------------

### Cable/line

Connecting cable	no
------------------	----

### Environmental and real-life conditions

#### Ambient conditions

Degree of protection	IP66
----------------------	------

# RAD-900-ANT-OMNI-2-N - Antenna



2904802

<https://www.phoenixcontact.com/us/products/2904802>

Ambient temperature (operation)	-40 °C ... 70 °C
Ambient temperature (storage/transport)	-40 °C ... 70 °C

## Mounting

Mounting type	Control cabinet mounting
	Panel mounting

# RAD-900-ANT-OMNI-2-N - Antenna

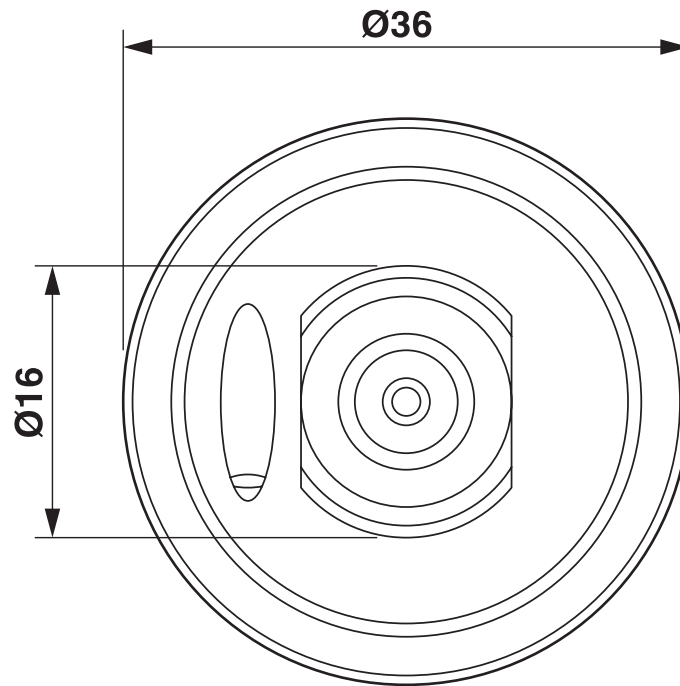


2904802

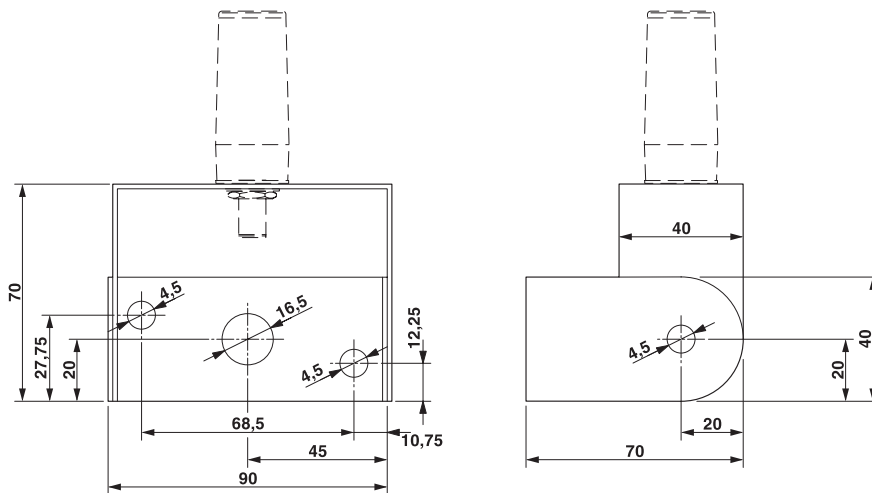
<https://www.phoenixcontact.com/us/products/2904802>

## Drawings

Dimensional drawing



Dimensional drawing

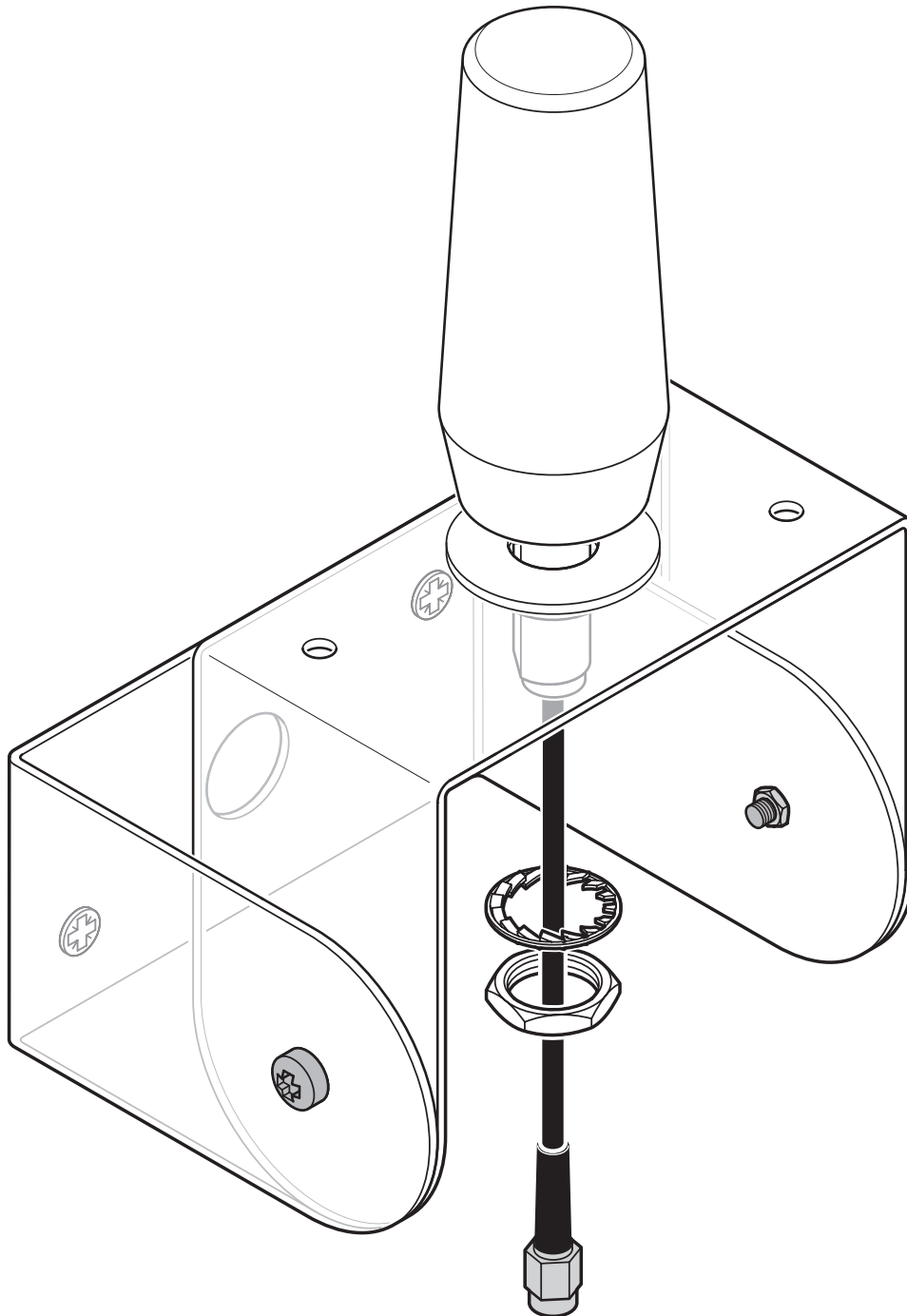


# RAD-900-ANT-OMNI-2-N - Antenna

2904802

<https://www.phoenixcontact.com/us/products/2904802>

Schematic diagram



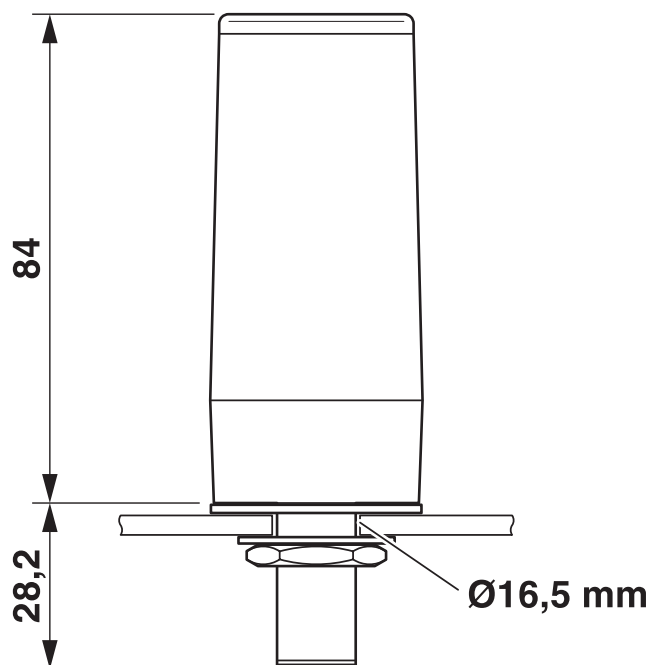
# RAD-900-ANT-OMNI-2-N - Antenna

2904802

<https://www.phoenixcontact.com/us/products/2904802>



Schematic diagram



# RAD-900-ANT-OMNI-2-N - Antenna



2904802

<https://www.phoenixcontact.com/us/products/2904802>

## Classifications

### ECLASS

ECLASS-13.0	19070105
ECLASS-15.0	19070105

### ETIM

ETIM 10.0	EC001698
-----------	----------

### UNSPSC

UNSPSC 21.0	43223100
-------------	----------

# RAD-900-ANT-OMNI-2-N - Antenna



2904802

<https://www.phoenixcontact.com/us/products/2904802>

## Environmental product compliance

### EU RoHS

Fulfills EU RoHS substance requirements	Yes
Exemption	6(c)

### China RoHS

Environment friendly use period (EFUP)	EFUP-50
	An article-related China RoHS declaration table can be found in the download area for the respective article under "Manufacturer declaration". For all articles with EFUP-E, no China RoHS declaration table issued and required.

### EU REACH SVHC

REACH candidate substance (CAS No.)	Lead(CAS: 7439-92-1)
SCIP	5f458a5d-777c-409a-87a7-083447e7a00b

Phoenix Contact 2026 © - all rights reserved

<https://www.phoenixcontact.com>

Phoenix Contact USA  
586 Fulling Mill Road  
Middletown, PA 17057, United States  
(+717) 944-1300  
[info@phoenixcon.com](mailto:info@phoenixcon.com)