

# PSR-PC50-1NO-1DO-24DC-SC - Coupling relay



2904664

<https://www.phoenixcontact.com/us/products/2904664>

Please be informed that the data shown in this PDF document is generated from our online catalog. Please find the complete data in the user documentation. Our general terms of use for downloads are valid.



Coupling relay for SIL 3 low demand applications, couples digital output signals to the periphery, 1 enabling current path, module for F&G applications, test pulse filter, plug-in screw connection, 17.5 mm width

## Your advantages

- Up to SIL 3 in accordance with IEC 61508
- Easy proof test according to IEC 61508 thanks to integrated signal contact
- Installation in zone 2 permitted
- Couples digital output signals from failsafe controllers to I/O devices (valves, etc.) for electrical isolation and power adaptation

## Commercial data

Item number	2904664
Packing unit	1 pc
Minimum order quantity	1 pc
Sales key	DN01
Product key	DNA182
GTIN	4046356919937
Weight per piece (including packing)	174.54 g
Weight per piece (excluding packing)	221.1 g
Customs tariff number	85364900
Country of origin	DE

# PSR-PC50-1NO-1DO-24DC-SC - Coupling relay



2904664

<https://www.phoenixcontact.com/us/products/2904664>

## Technical data

### Notes

#### Note on application

Note on application	Only for industrial use
---------------------	-------------------------

### Product properties

Product type	Coupling relay
Product family	PSRmini
Application	Safe switch on Low demand Ex
Environment	IP 54
Control	1-channel
Relay type	Electromechanical relay with force-guided contacts in accordance with IEC/EN 61810-3

#### Insulation characteristics

Overvoltage category	III
Degree of pollution	2

#### Times

Typ. starting time with $U_s$	30 ms (when controlled via A1)
Typical release time	30 ms (when controlled via A1)
Recovery time	1 s

### Electrical properties

Maximum power dissipation for nominal condition	1.56 W
Nominal operating mode	100% operating factor
Rated insulation voltage	250 V AC
Rated surge voltage/insulation	6 kV/safe isolation (through protective impedance)

#### Supply

Designation	A1/A2 (A1'/A2')
Rated control circuit supply voltage $U_S$	20.4 V DC ... 26.4 V DC
Rated control circuit supply voltage $U_S$	24 V DC -15 % / +10 %
Rated control supply current $I_S$	typ. 65 mA
Inrush current	≤ 200 mA
Filter time	< 2 ms (Test pulse duration) ≥ 100 ms (Test pulse rate)
Protective circuit	Overload protection; Suppressor diode

#### Supply

Designation	24V/A2
Diagnostic supply voltage $U_D$	24 V DC -15 % / +10 %

# PSR-PC50-1NO-1DO-24DC-SC - Coupling relay



2904664

<https://www.phoenixcontact.com/us/products/2904664>

Input current at $U_D$	typ. 15 mA (24V/A2; depending on load M1 +100 mA)
Inrush current at $U_D$	2.5 A (24V/A2; for 10 $\mu$ s)
Protective circuit	Overload protection; Suppressor diode

## Input data

Digital: Test points for proof test (T1, T2, T3)

Number of inputs	3
Inrush current	200 mA (Inputs TP1, TP2 and TP3)
Current consumption	typ. 20 mA (Input TP1)
	typ. 18 mA (Input TP2)
	typ. 35 mA (Input TP3)

## Output data

Relay: Enabling current path (L-LO-NI-N / L'-LO'-NI'-N')

Output description	safety-related N/O contacts
Number of outputs	1 (undelayed)
Contact switching type	1 enabling current path
Contact material	AgNi, gold-flashed
Switching voltage	min. 15 V AC/DC (without diagnostics)
	min. 20 V AC/DC (with diagnostics)
	max. 250 V AC
	max. 125 V DC
Switching power	min. 1.5 W
Inrush current	min. 100 mA
	max. 5 A
Max. permissible overall conductor resistance	< 10 $\Omega$ (Max. line resistance in the event of a short circuit of the load between LO and NI (or LO' and NI'))
Limiting continuous current	5 A
Switching frequency	max. 0.5 Hz
Diagnostic threshold	20 $\Omega$ ... 18 k $\Omega$ (lower/upper)
Mechanical service life	approx. $5 \times 10^7$ cycles

Signal: M1

Output description	non-safety-related
Number of outputs	1 (digital)
Voltage	23 V DC
Current	max. 100 mA
Short-circuit protection	no
Output fuse	150 mA fast blow

## Connection data

Connection technology

pluggable	yes
-----------	-----

# PSR-PC50-1NO-1DO-24DC-SC - Coupling relay



2904664

<https://www.phoenixcontact.com/us/products/2904664>

## Conductor connection

Connection method	Screw connection
Conductor cross-section rigid	0.2 mm <sup>2</sup> ... 2.5 mm <sup>2</sup>
Conductor cross-section flexible	0.2 mm <sup>2</sup> ... 2.5 mm <sup>2</sup>
Conductor cross-section AWG	24 ... 12
Stripping length	7 mm
Screw thread	M3

## Signaling

Status display	1 x LED (green)
Operating voltage display	1 x LED (yellow)
Error indication	1 x LED (red)

## Dimensions

Width	17.5 mm
Height	112.2 mm
Depth	114.5 mm

## Material specifications

Color (Housing)	yellow (RAL 1018)
Housing material	PA

## Characteristics

Safety data: IEC 61508 - Low demand

Safety Integrity Level (SIL)	3 (15 % of total SIL)
------------------------------	-----------------------

## Environmental and real-life conditions

### Ambient conditions

Degree of protection	IP20
Min. degree of protection of inst. location	IP54
Ambient temperature (operation)	-20 °C ... 55 °C
Ambient temperature (storage/transport)	-40 °C ... 65 °C
Maximum altitude	≤ 2000 m (Above sea level)
Max. permissible humidity (storage/transport)	75 % (on average, 85% infrequently, non-condensing)
Max. permissible relative humidity (operation)	75 % (on average, 85% infrequently, non-condensing)
Shock	15g
Vibration (operation)	2g

## Approvals

### ATEX

Identification	Ⓔ II 3G Ex ec nC IIC T4 Gc
Certificate	UL 22 ATEX 2912X

# PSR-PC50-1NO-1DO-24DC-SC - Coupling relay



2904664

<https://www.phoenixcontact.com/us/products/2904664>

## IECEX

Identification	Ex ec nC IIC T4 Gc
Certificate	IECEX UL 22.0037X

## UL, USA/Canada

Identification	cULus
Certificate	E140324

## UL Ex, USA / Canada

Identification	Class I, Zone 2, AEx ec nC IIC T4 / Ex ec nC IIC Gc T4 X Class I, Div. 2, Groups A, B, C, D, T4
Certificate	E360692

## CE

Identification	CE-compliant
----------------	--------------

## Environmental simulation test

Identification	G3
Certificate	ISA-S71.04

## CCC / China-Ex

Identification	Ex ec nC IIC T4 Gc
Certificate	2022122304115695

## DNV

Identification	C, EMC2
Certificate	11253-14 HH

## Mounting

Mounting type	DIN rail mounting
Assembly note	See derating curve
Mounting position	vertical or horizontal

# PSR-PC50-1NO-1DO-24DC-SC - Coupling relay

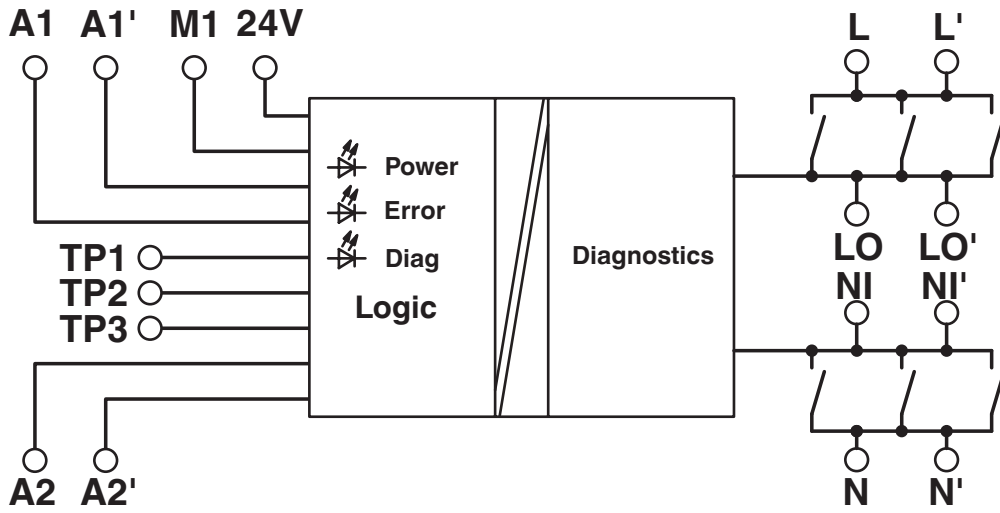


2904664

<https://www.phoenixcontact.com/us/products/2904664>

## Drawings

Block diagram



Block diagram

# PSR-PC50-1NO-1DO-24DC-SC - Coupling relay



2904664

<https://www.phoenixcontact.com/us/products/2904664>

## Approvals

To download certificates, visit the product detail page: <https://www.phoenixcontact.com/us/products/2904664>



**DNV GL**

Approval ID: TAA00002VZ



**cULus Listed**

Approval ID: E140324



**Functional Safety**

Approval ID: 968\_FSP\_1011\_03\_25



**IECEx**

Approval ID: IECEx ULD 22.0037X



**ATEX**

Approval ID: UL 22 ATEX 2912X



**cULus Listed**

Approval ID: E360692



**CCC**

Approval ID: 2022122304115695

# PSR-PC50-1NO-1DO-24DC-SC - Coupling relay



2904664

<https://www.phoenixcontact.com/us/products/2904664>

## Classifications

### ECLASS

ECLASS-13.0	27371819
ECLASS-15.0	27371819

### ETIM

ETIM 10.0	EC001449
-----------	----------

### UNSPSC

UNSPSC 21.0	39122200
-------------	----------

# PSR-PC50-1NO-1DO-24DC-SC - Coupling relay



2904664

<https://www.phoenixcontact.com/us/products/2904664>

## Environmental product compliance

### EU RoHS

Fulfills EU RoHS substance requirements	Yes
Exemption	7(a), 7(c)-I

### China RoHS

Environment friendly use period (EFUP)	EFUP-50
	An article-related China RoHS declaration table can be found in the download area for the respective article under "Manufacturer declaration". For all articles with EFUP-E, no China RoHS declaration table issued and required.

### EU REACH SVHC

REACH candidate substance (CAS No.)	Lead(CAS: 7439-92-1)
SCIP	d5d11f49-e6d4-45f7-aa82-2264fb92549f

### EF3.1 Climate Change

CO2e kg	4.477 kg CO2e
---------	---------------

Phoenix Contact 2026 © - all rights reserved  
<https://www.phoenixcontact.com>

Phoenix Contact USA  
586 Fulling Mill Road  
Middletown, PA 17057, United States  
(+717) 944-1300  
[info@phoenixcon.com](mailto:info@phoenixcon.com)